

Switched Rack Power Distribution Unit

Specifications

AB-024-C-30A-L630

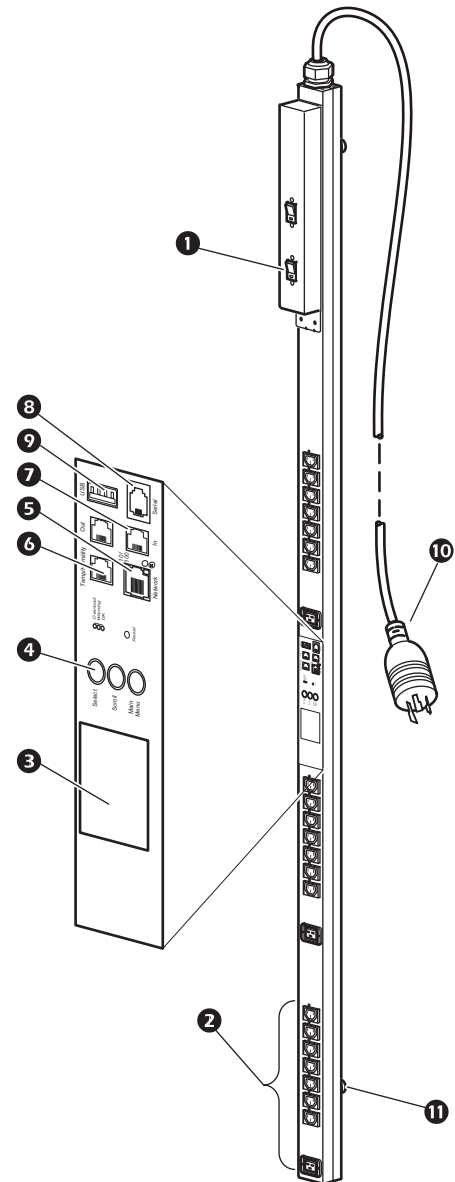
Outlets. The Rack PDU has twenty-one (21) IEC-320-C13 and three (3) IEC-320-C19 locking outlets **2**. (The locking feature is compatible with Schneider Electric locking input cords and Schneider Electric locking jumper cords.)

Overcurrent protection. The Rack PDU has two (2) 20 A, 1-pole hydraulic-magnetic circuit breakers **1**.

Display interface. The liquid crystal display (LCD) **3** and input buttons **4** allow you to monitor current, power, and voltage measurements of the Rack PDU. Local communication can be established through the serial port **8**, and remote communication through the network port **5**. The USB **9** port allows for firmware upgrades, and the CAN **7** ports enable data transfer for future expansion options. The environmental sensor port **6** allows for monitoring of the temperature and humidity of the room or enclosure.

Power cord. The 3.0-m (10-ft) power cord terminates with a NEMA L6-30P connector **10**.

Toolless mounting The Rack PDU has two toolless mounting pegs; for 0 U mounting capability in a rack or enclosure.



Specifications

Electrical

Acceptable input voltage	200–240 VAC +6%, -10%
Maximum input current (phase)	24 A
Input frequency	50/60 Hz
Input connection	NEMA L6-30P
Input power	4.8 - 5.8 kVA
Output voltage	200–240 VAC
Maximum output current (outlet)	IEC-320-C13: 12 A; IEC-320-C19: 16 A
Maximum output current (phase)	24 A
Maximum output current (bank)	16 A
Output connections	Twenty-one (21) IEC-320-C13; three (3) IEC-320-C19
Overload protection (internal)	Two (2) 20 A, 2-pole hydraulic-magnetic circuit breakers

Physical

Dimensions (H x W x D) (depth does not include toolless pegs)	182.9 x 5.6 x 5.1 cm (72.0 x 2.2 x 2.0 in)
Power cord length	3.0 m (10 ft)
Shipping dimensions (H x W x D)	203.8 x 16.2 x 11.8 cm (80.25 x 6.38 x 4.63 in)

Environmental

Maximum elevation (above MSL) Operating/Storage	0–3 000 m (0–10,000 ft) / 0–15 000 m (0–50,000 ft)
Temperature Operating/Storage	–5 to 45°C (23 to 115°F) / –25 to 65°C (–13 to 149°F)
Humidity Operating/Storage	5–95% RH, non-condensing

Compliance

EMC verification	FCC Part 15 Class A, ICES-003 Class A, VCCI-A, EN 55022 Class A, EN 55024, EN 61000-3-2, EN 61000-3-3
Safety verification	UL, cUL, PSE



Synergy Global Technology Inc

www.RackmountMart.com