

Switched Rack Power Distribution Unit

Specifications

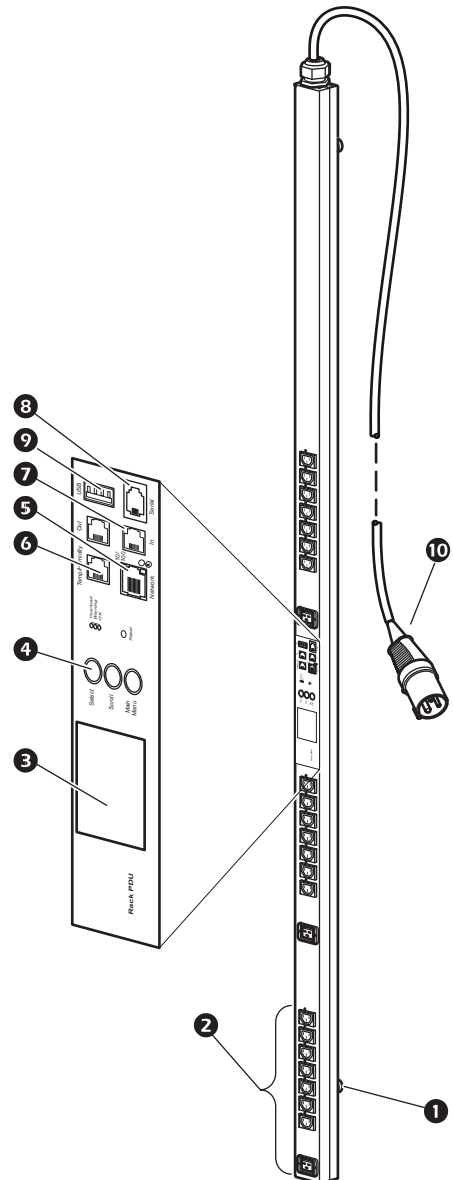
ABH-024-C-20A-IEC

Outlets. The Rack PDU has twenty-one (21) IEC-320-C13 and three (3) IEC-320-C19 locking outlets **2**. (The locking feature is compatible with APC locking input cords and APC locking jumper cords.)

Display interface. The liquid crystal display (LCD) **3** and input buttons **4** allow you to monitor current, power, and voltage measurements of the Rack PDU. Local communication can be established through the serial port **8**, and remote communication through the network port **5**. The USB **9** port allows for firmware upgrades, and the CAN **7** ports enable data transfer for future expansion options. The environmental sensor port **6** allows for monitoring of the temperature and humidity of the room or enclosure.

Power cord. The 1.83-m (6-ft) power cord terminates with a 16 A, 5-pin IEC-309 connector **10**.

Toolless mounting. The Rack PDU has two toolless mounting pegs **1** for 0 U mounting capability in a rack or enclosure.



Specifications

Electrical

| | |
|---------------------------------|---|
| Acceptable input voltage | 220/380 - 240/415 VAC +6%, -10% |
| Maximum input current (phase) | 16 A UL (derated) 16 A VDE |
| Input frequency | 50/60 Hz |
| Input connection | 16 A, 5-pin IEC-309 |
| Input power | 11.5 kVA UL 11.0 kVA VDE |
| Output voltage | 220-240 VAC |
| Maximum output current (outlet) | IEC-320-C13: 12 A; IEC-320-C19: 16 A UL (derated) IEC-320-C13: 10 A; IEC-320-C19: 16 A VDE |
| Maximum output current | 16 A UL (derated) 16 A VDE |
| Output connections | Twenty-one (21) IEC-320-C13; Three (3) IEC-320-C19 |

Physical

| | |
|--|---|
| Dimensions (H x W x D) (depth does not include toolless pegs) | 182.9 x 5.6 x 5.1 cm (72.0 x 2.2 x 2.0 in) |
| Power cord length | 1.83 m (6 ft) |
| Shipping dimensions (H x W x D) | 203.8 x 16.2 x 11.7 cm (80.25 x 6.38 x 4.62 in) |

Environmental

| | |
|--|---|
| Maximum elevation (above MSL) Operating/Storage | 0–3 000 m (0–10,000 ft) / 0–15 000 m (0–50,000 ft) |
| Temperature Operating/Storage | –5 to 45°C (23 to 115°F) / –25 to 65°C (–13 to 149°F) |
| Humidity Operating/Storage | 5–95% RH, non-condensing |

Compliance

| | |
|---------------------|--|
| EMC verification | EN 55022 Class A, EN 55024, EN 61000-3-2, EN 61000-3-3, FCC Part 15 Class A, ICES-003 Class A |
| Safety verification | UL, VDE |