

(ENLARGED VIEW)

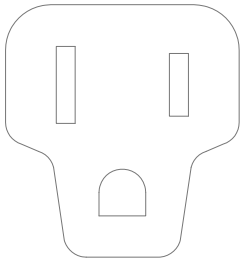
NOTES:

1. INSTALLATION SHALL COMPLY WITH ALL APPLICABLE NATIONAL, STATE, AND LOCAL CODES.
2. PLEASE REFER TO PRODUCT DOCUMENTATION FOR FURTHER INFORMATION
3. UNLESS OTHERWISE SPECIFIED, ALL DIMENSIONS ARE IN INCHES [MILLIMETERS]
4. NET WEIGHT IS 3.80 LBS [1.73 KG]
5. LENGTH OF CORD IS 144.00 INCHES [3658 MILLIMETERS].

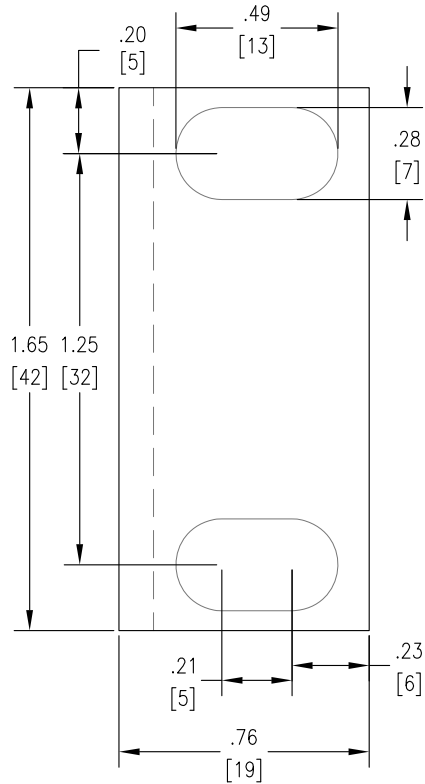


TITLE: RACK PDU 1U, METERED
100/120V, 15A
INPUT: NEMA 5-15P, 12FT CORD
OUTPUT: (8) NEMA 5-15R
MAIN MECHANICAL

AD-108-515-15A-515



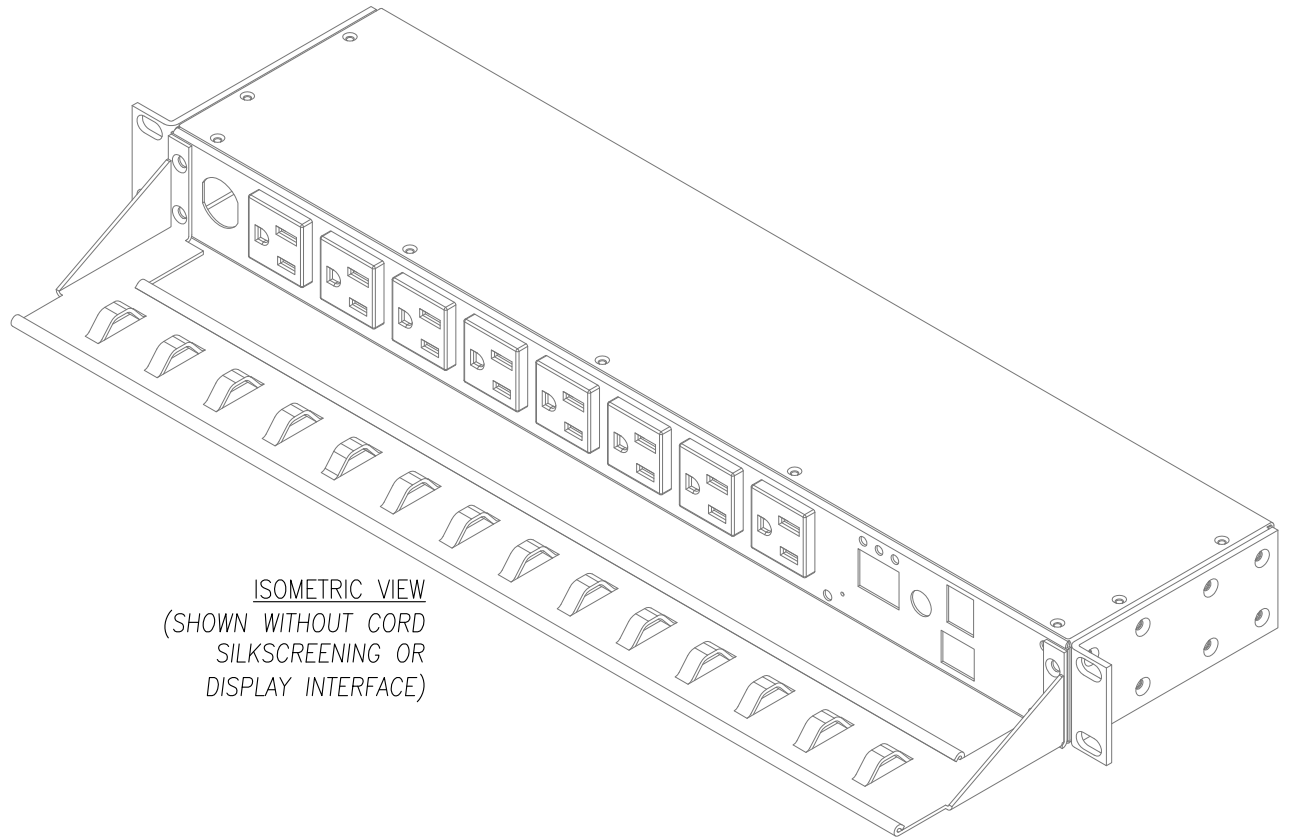
VIEW B
NEMA L5-15P PLUG



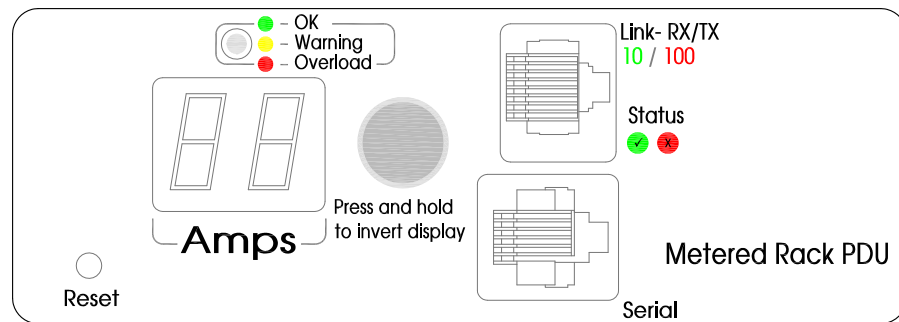
DETAIL B
MOUNTING PLATE DETAIL
(ENLARGED)

NOTES:

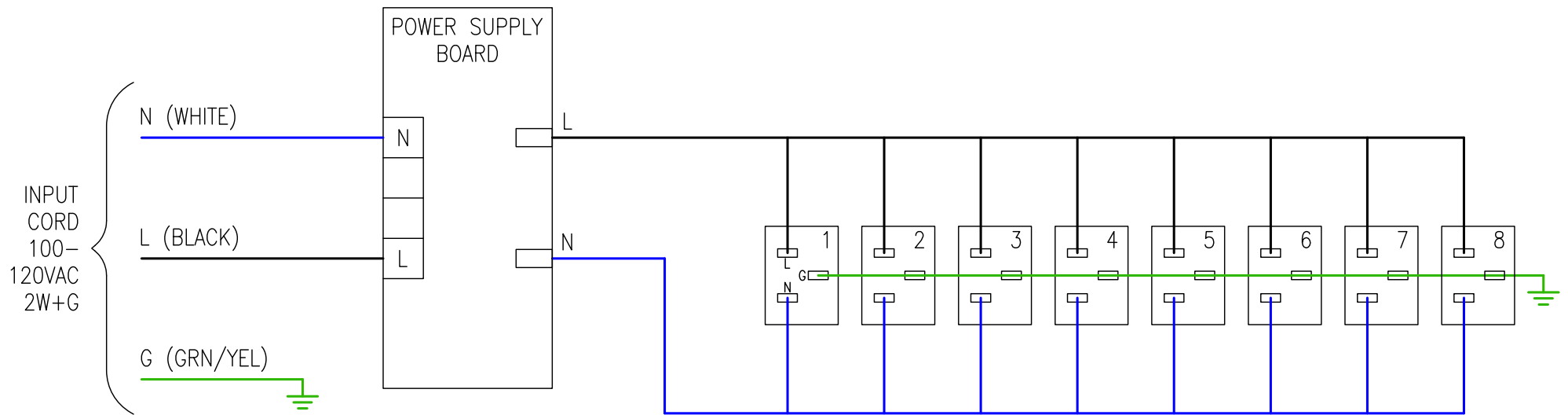
1. INSTALLATION SHALL COMPLY WITH ALL APPLICABLE NATIONAL, STATE, AND LOCAL CODES.
2. PLEASE REFER TO PRODUCT DOCUMENTATION FOR FURTHER INFORMATION
3. UNLESS OTHERWISE SPECIFIED, ALL DIMENSIONS ARE IN INCHES [MILLIMETERS]



ISOMETRIC VIEW
(SHOWN WITHOUT CORD
SILKSCREENING OR
DISPLAY INTERFACE)



DETAIL A
DISPLAY INTERFACE
(ENLARGED)



NOTES:

1. INSTALLATION SHALL COMPLY WITH ALL APPLICABLE NATIONAL, STATE, AND LOCAL CODES.
2. PLEASE REFER TO PRODUCT DOCUMENTATION FOR FURTHER INFORMATION
3. DRAWING DEPICTS POWER SYSTEM CONNECTIONS AND IS NOT REPRESENTATIVE OF PHYSICAL LAYOUT, PLEASE REFER TO MECHANICAL DRAWINGS FOR PHYSICAL LAYOUT.