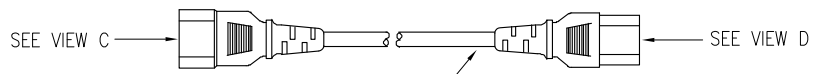


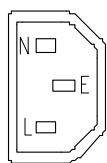
NOTES:

1. INSTALLATION SHALL COMPLY WITH ALL APPLICABLE NATIONAL, STATE AND LOCAL CODES.
2. PLEASE REFER TO PRODUCT DOCUMENTATION FOR FURTHER INFORMATION.
3. UNLESS OTHERWISE SPECIFIED ALL DIMENSIONS ARE IN INCHES [MILLIMETERS].
4. NET WEIGHT IS 3.80 LBS, [1.73 kg].

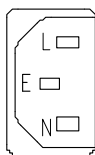


INPUT POWER CORD
LENGTH IS 71.46-99.25 (1800-2500MM)

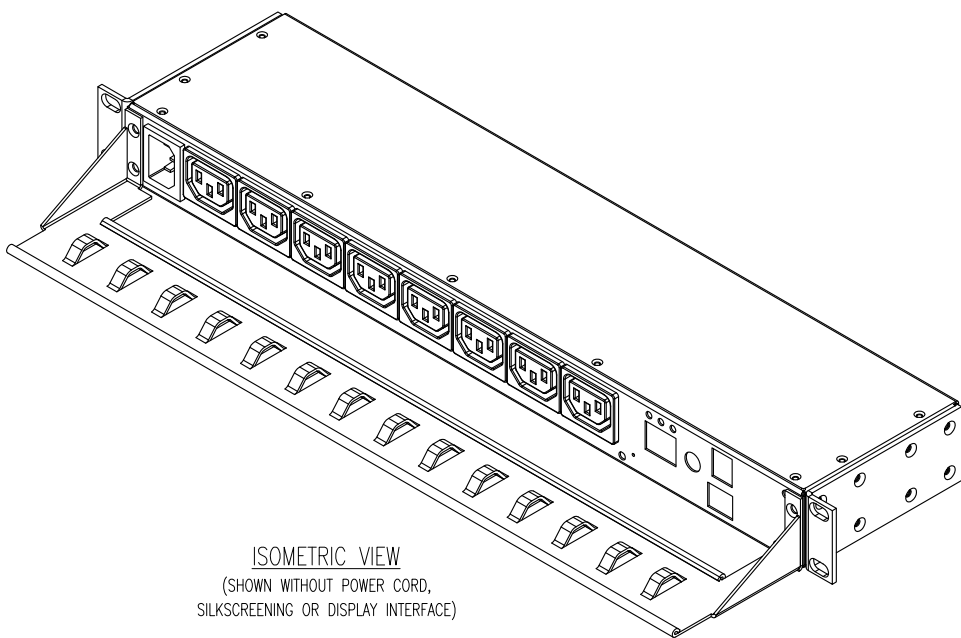
POWER CORD DETAIL



VIEW C
(CONNECTOR FACE VIEW
IEC320 C14 PLUG-ENLARGED)



VIEW D
(CONNECTOR FACE VIEW
IEC320 C13 PLUG-ENLARGED)



ISOMETRIC VIEW
(SHOWN WITHOUT POWER CORD,
SILKSCREENING OR DISPLAY INTERFACE)