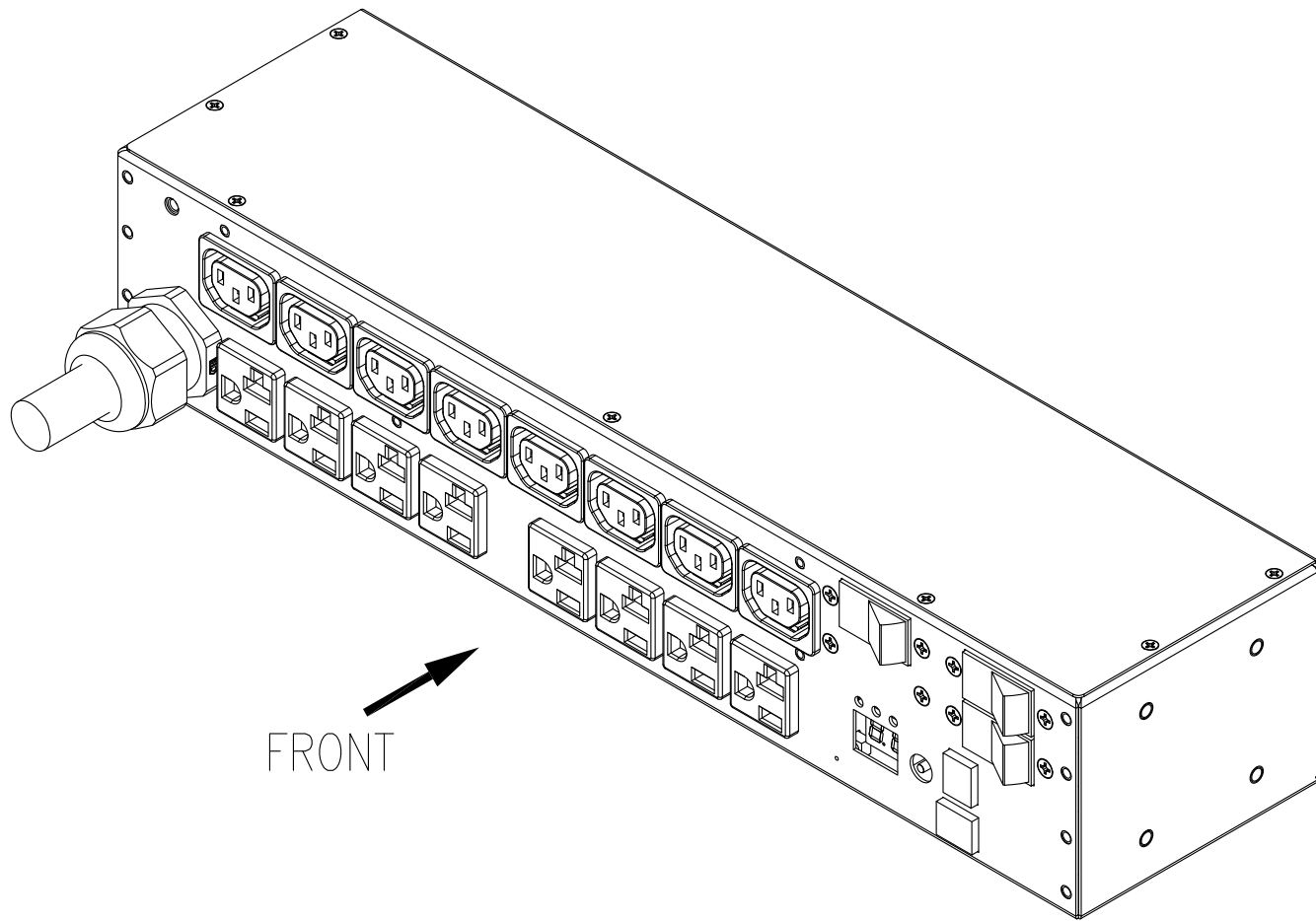


**NOTES:**

1. INSTALLATION SHALL COMPLY WITH ALL APPLICABLE NATIONAL, STATE AND LOCAL CODES.
2. SEE PRODUCT DOCUMENTATION FOR FURTHER INFORMATION
3. UNLESS OTHERWISE SPECIFIED, ALL DIMENSIONS ARE IN INCHES [MILLIMETERS].
4. NET WEIGHT OF UNIT IS 7.40 LBS [3.36 kg].
5. LENGTH OF THE CORD IS 144.00 IN [3658 MM].
6. UNIVERSAL MOUNTING BRACKET IS AN ALTERNATIVE MOUNTING METHOD TO THE TOOLLESS MOUNT FOR 3RD PARTY ENCLOSURES. BRACKET IS PROVIDED WITH THE UNIT. DETAILED INSTALLATION INSTRUCTIONS CAN BE FOUND IN THE PROVIDED MANUAL.
7. BRACKET KITS TO MOUNT TO SPECIFIC 3RD PARTY ENCLOSURES ARE AVAILABLE AS OPTIONS.
8. REFER TO WARNING LABEL ON REAR OF UNIT FOR SCREW MOUNTING.



FRONT

ISOMETRIC VIEW

**NOTES:**

1. INSTALLATION MUST COMPLY WITH ALL APPLICABLE NATIONAL AND LOCAL CODES.



**Synergy Global Technology Inc**  
[www.RackmountMart.com](http://www.RackmountMart.com)

**TITLE:** RACK PDU, METERED  
2U, 30A, 120/208VAC  
INPUT: NEMA L14-30P, 30A, 50/60Hz  
OUTPUT: (8)NEMA 5-20R, (8)IEC 320 C13  
MAIN MECHANICAL

**AD-216-CN-30A-L143**