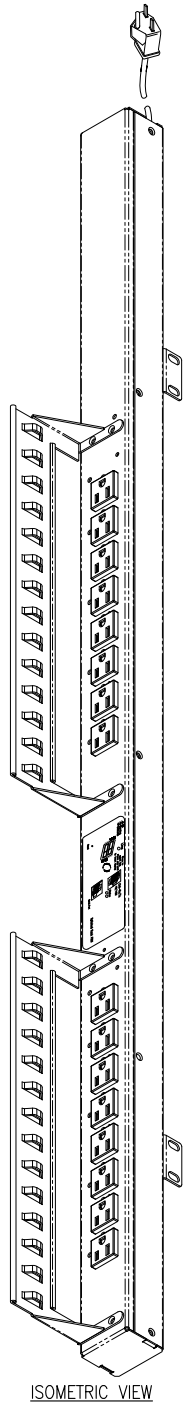
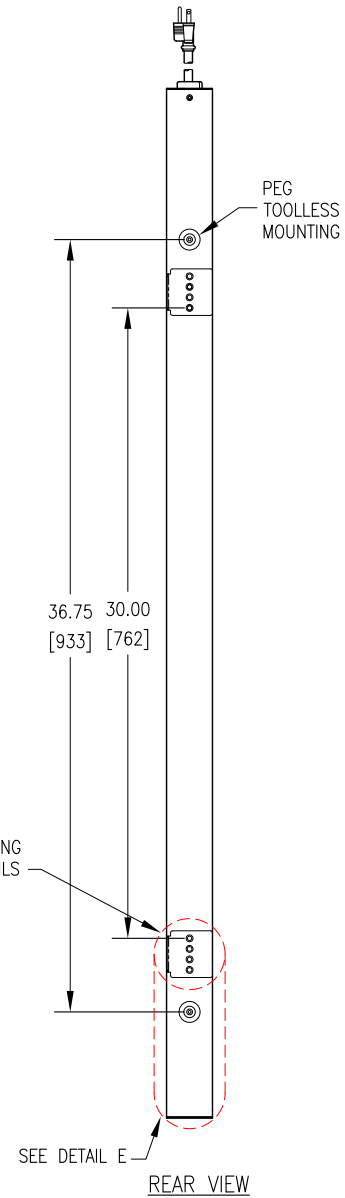
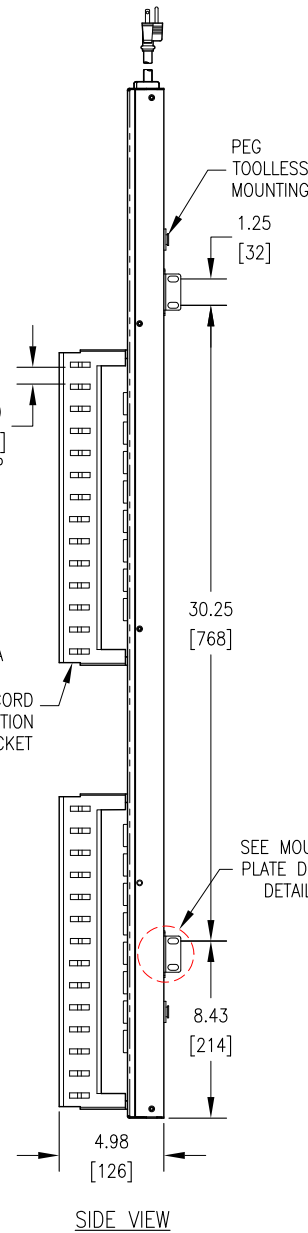
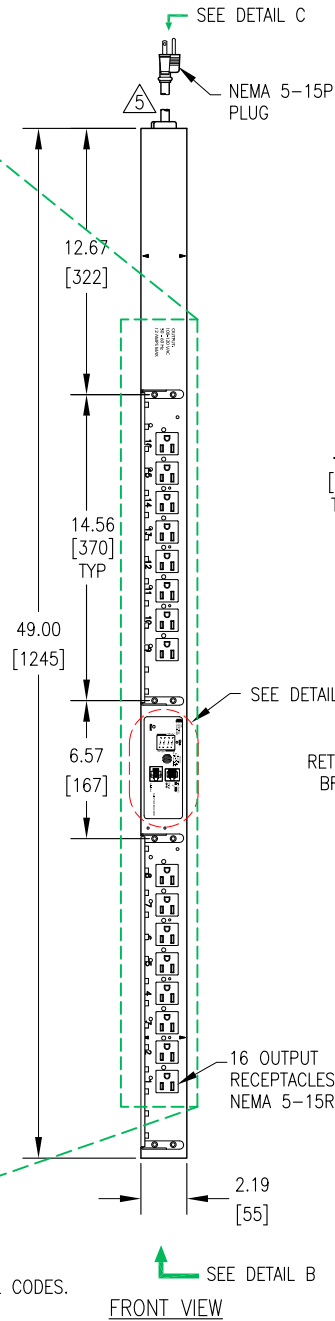
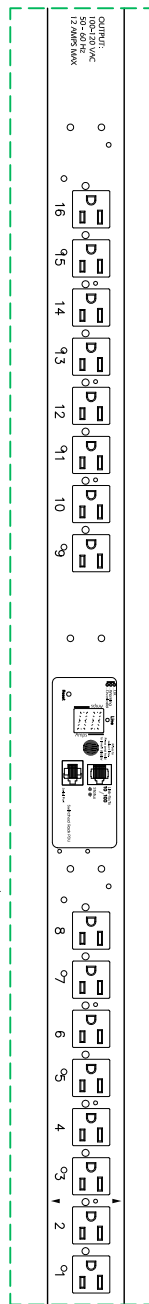
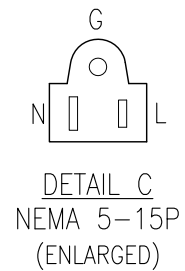
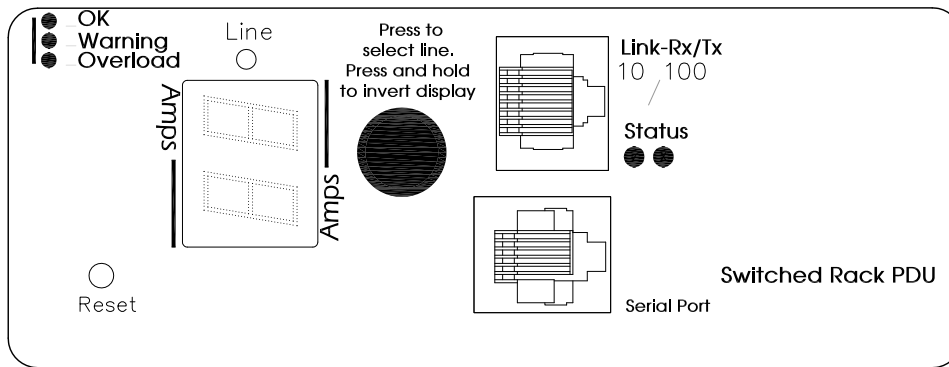
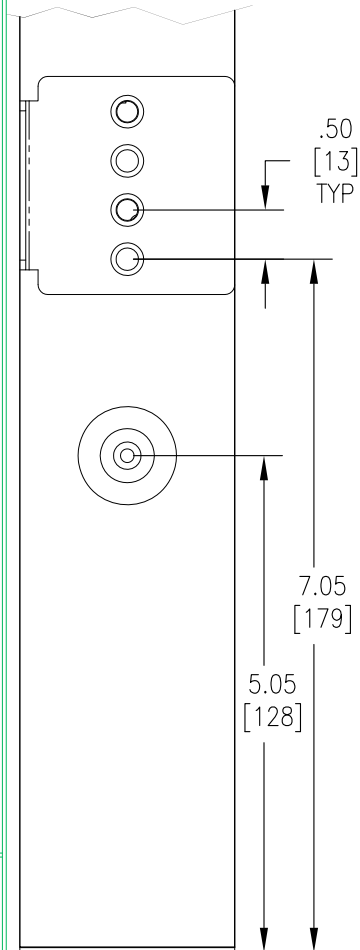
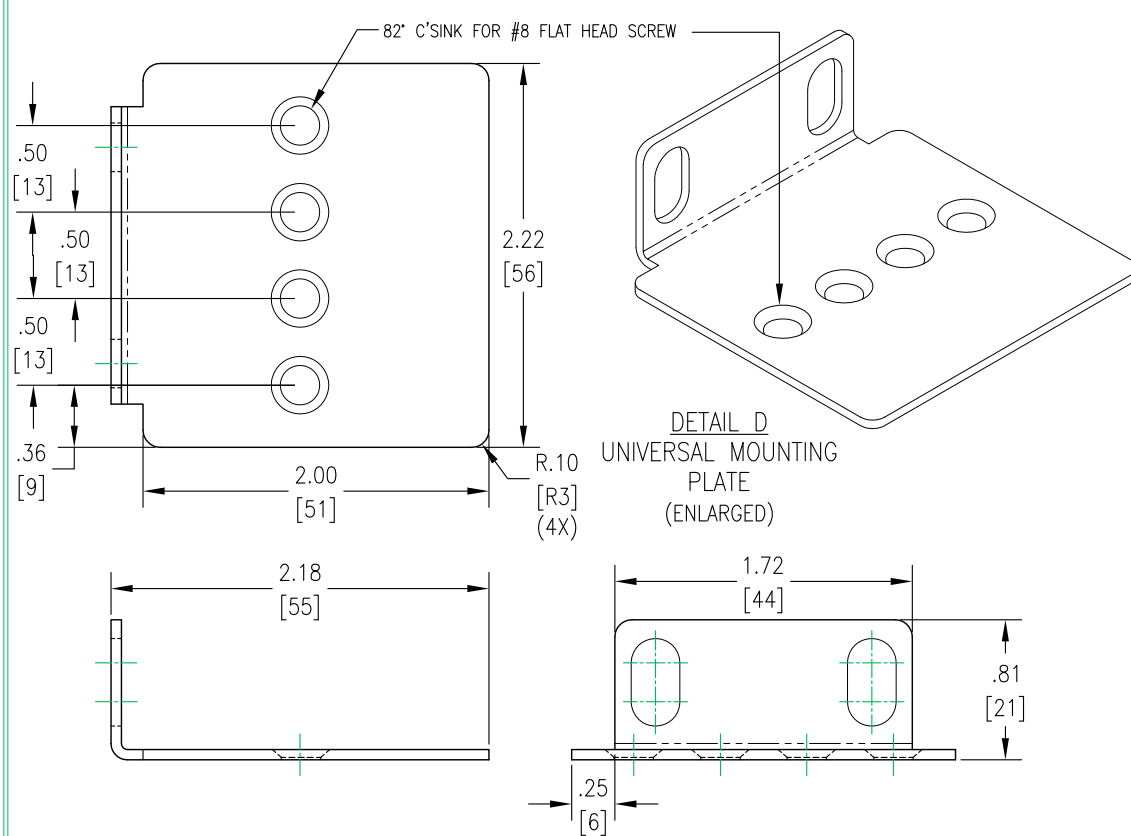
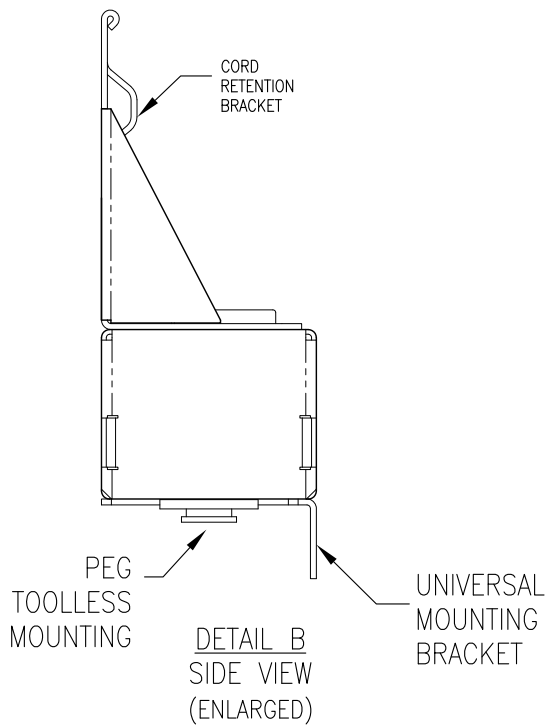


FRONT VIEW
WITHOUT CORD RETENTION BRACKET
(ENLARGED)



NOTES:

1. INSTALLATION SHALL COMPLY WITH ALL APPLICABLE NATIONAL, STATE, AND LOCAL CODES.
2. PLEASE REFER TO PRODUCT DOCUMENTATION FOR FURTHER INFORMATION.
3. UNLESS OTHERWISE SPECIFIED, ALL DIMENSIONS ARE IN INCHES [MILLIMETERS].
4. NET WEIGHT IS 9.50 LBS [4.32 KG]
- △ 5. LENGTH OF CORD IS 120.00 INCHES [3048 MILLIMETERS]
6. UNIVERSAL MOUNTING BRACKET IS AN ALTERNATIVE MOUNTING METHOD TO THE TOOLLESS MOUNT
7. BRACKET KITS TO MOUNT TO SPECIFIC COMPETITORS RACKS ARE AVAILABLE AS OPTIONS



NOTES:
SEE SHEET 1