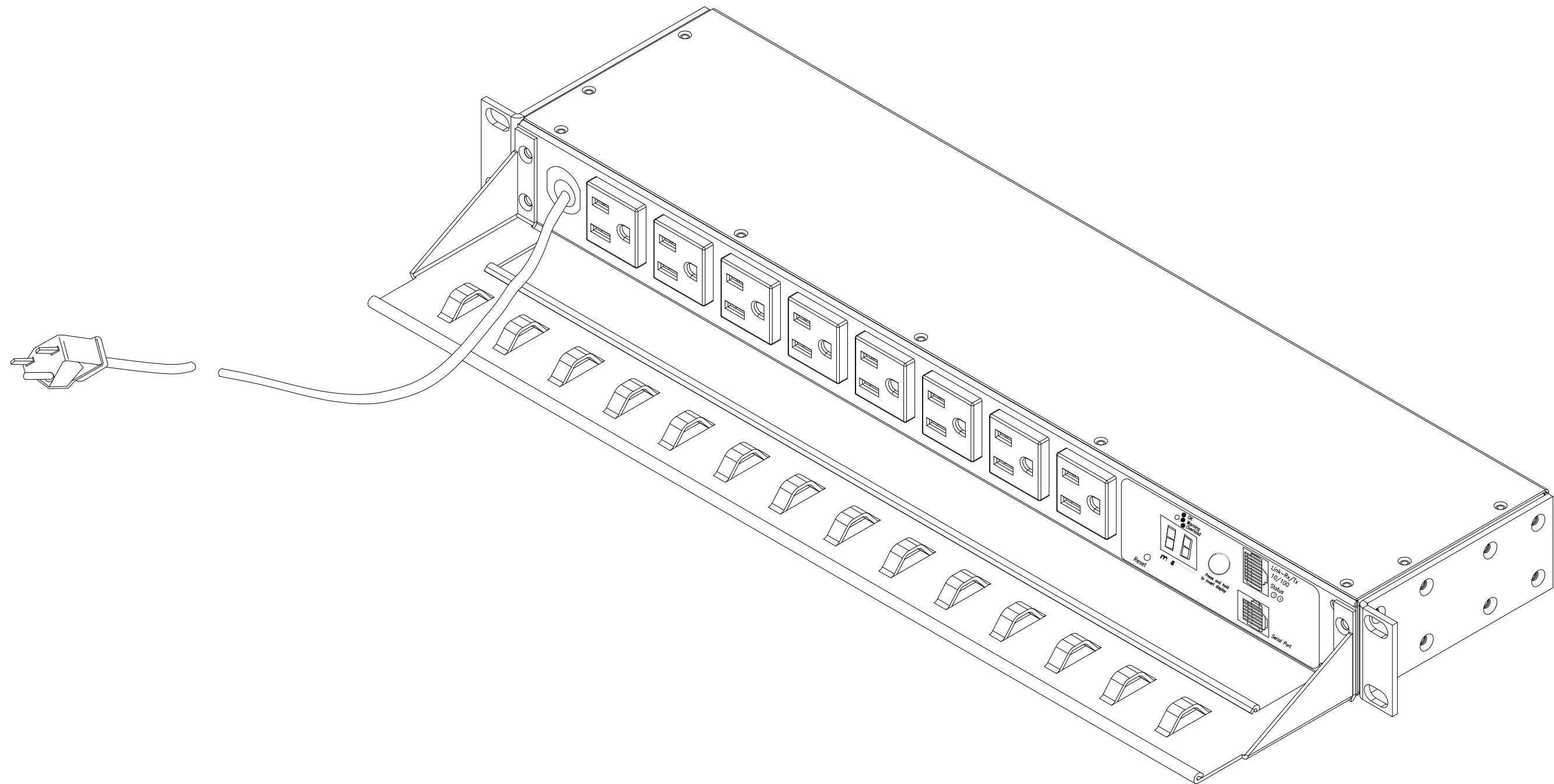


- NOTES:
1. ALL DIMENSIONS ARE IN MILLIMETERS [INCHES].
 2. NET WEIGHT IS 2.27 kgs [5.00 lbs].
 3. INSTALLATION MUST COMPLY WITH ALL APPLICABLE NATIONAL AND LOCAL CODES.

ISOMETRIC VIEW



NOTE:

1. INSTALLATION MUST COMPLY WITH ALL APPLICABLE NATIONAL AND LOCAL CODES.