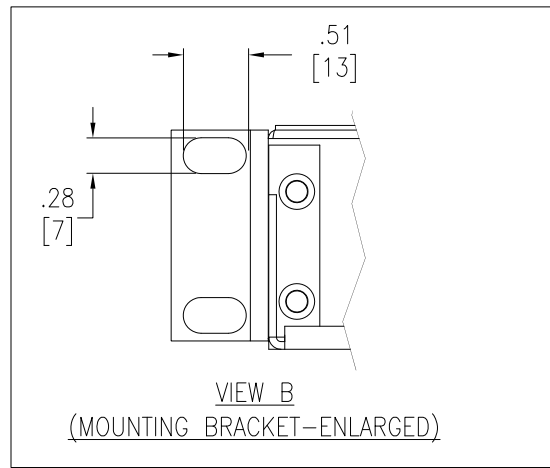
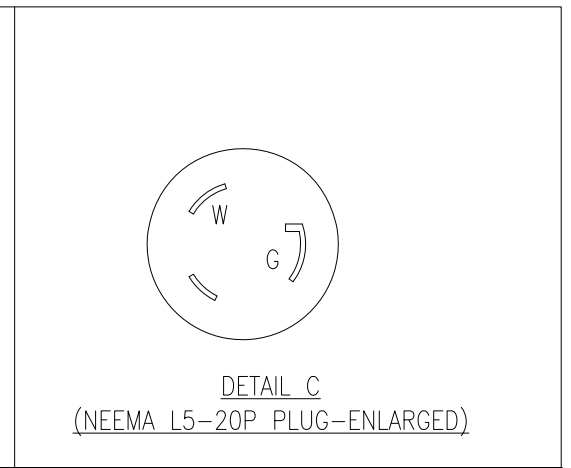


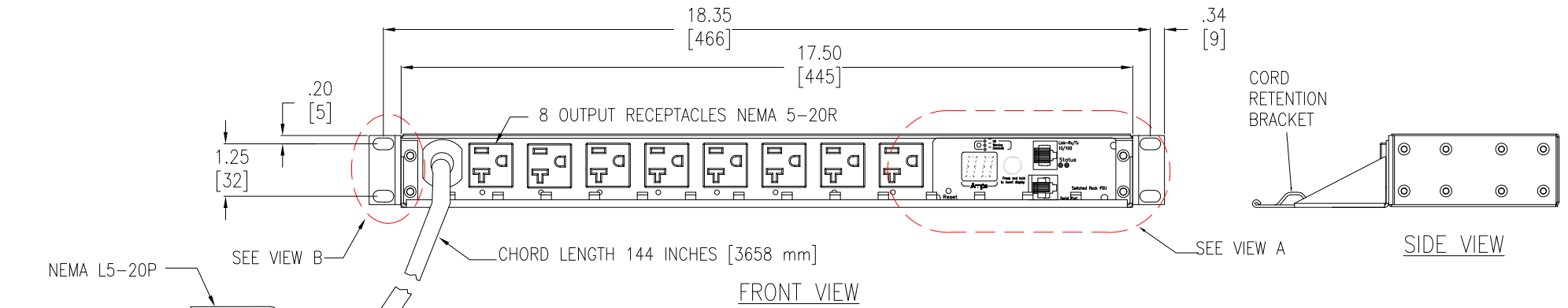
DETAIL A
(ENLARGED-DISPLAY INTERFACE)



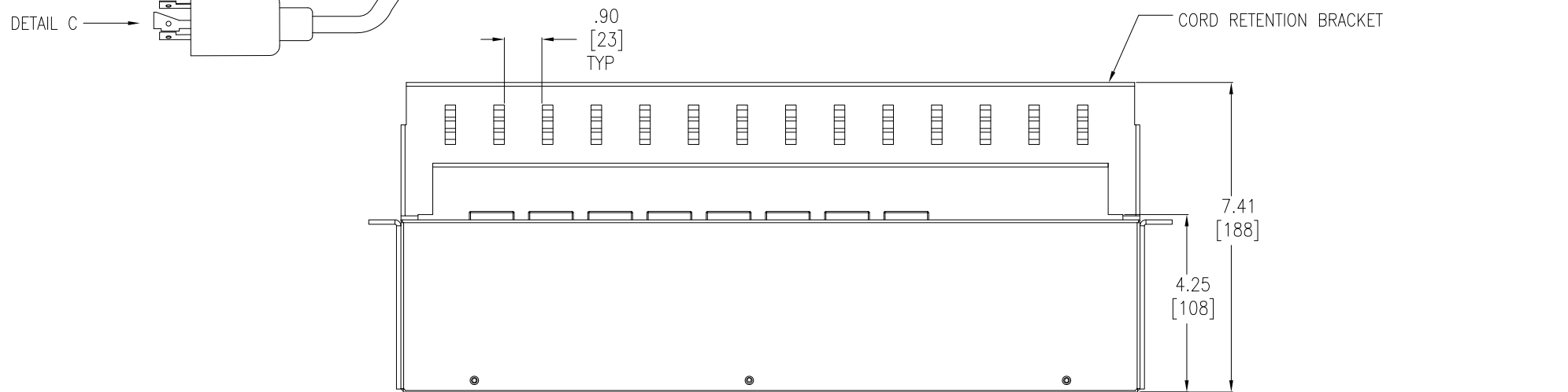
VIEW B
(MOUNTING BRACKET-ENLARGED)



DETAIL C
(NEEMA L5-20P PLUG-ENLARGED)



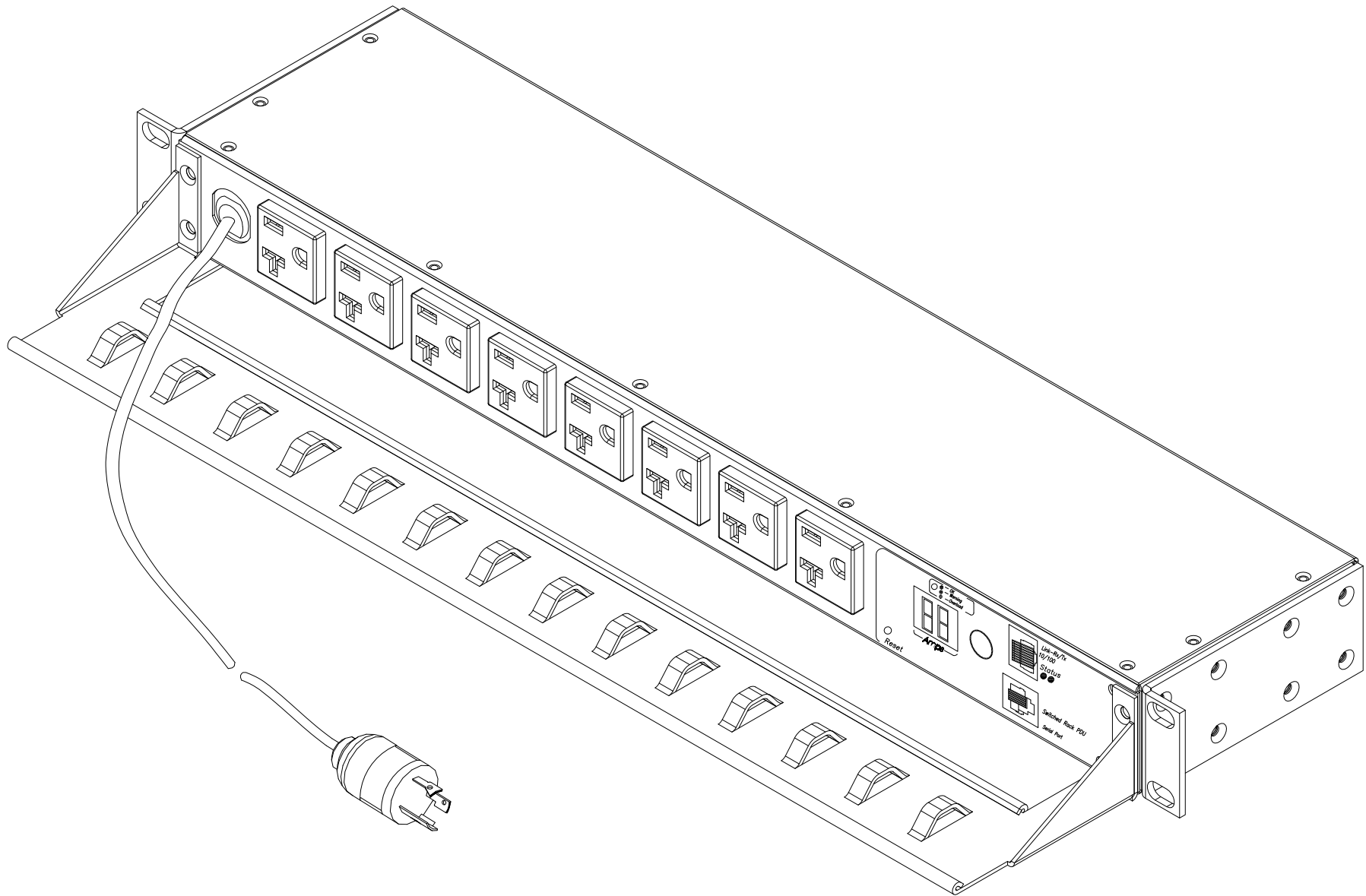
FRONT VIEW



BOTTOM VIEW

NOTES:

1. ALL DIMENSIONS ARE IN INCHES [MILLIMETERS].
2. NET WEIGHT IS 5 LBS [2.3 kg].
3. INSTALLATION MUST COMPLY WITH ALL APPLICABLE NATIONAL AND LOCAL CODES.



ISOMETRIC VIEW