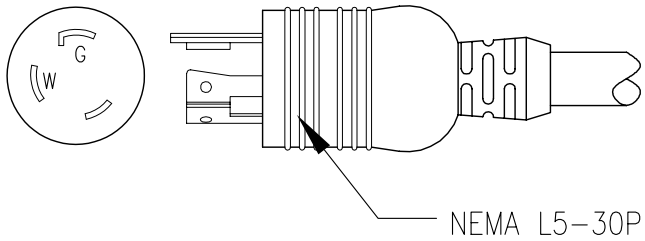
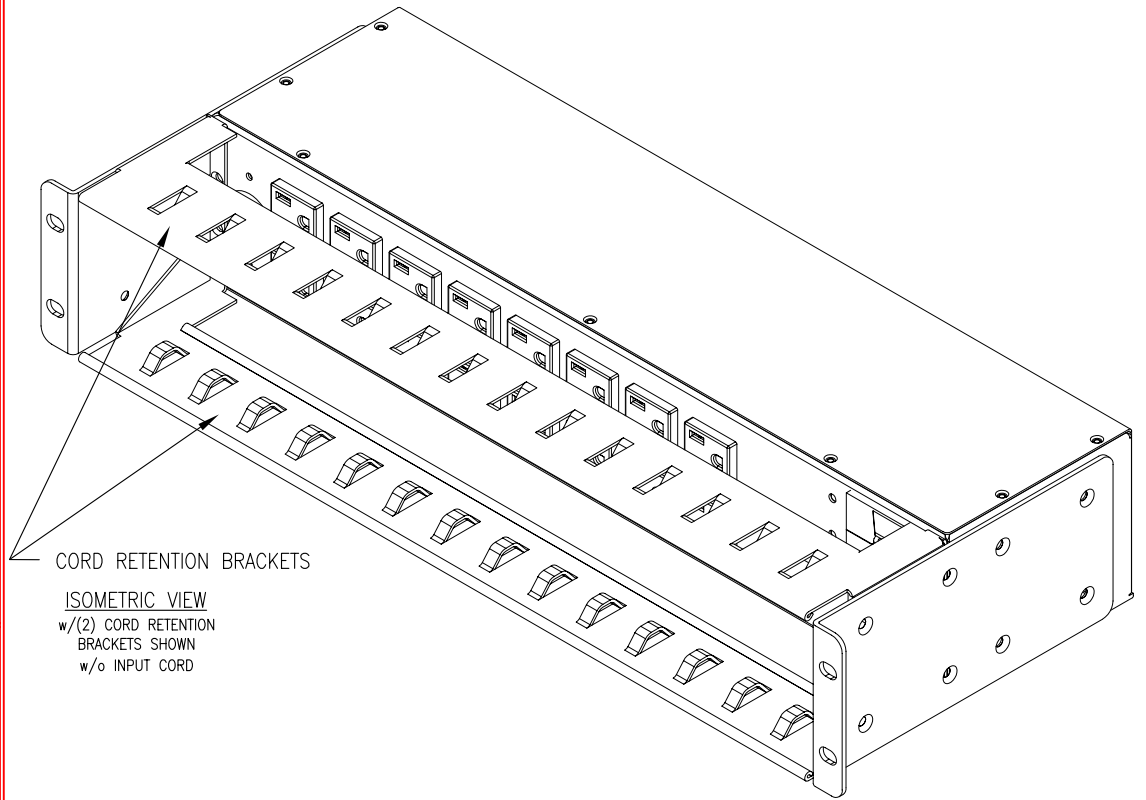


- NOTES:**
1. INSTALLATION SHALL COMPLY WITH ALL APPLICABLE NATIONAL, STATE, AND LOCAL CODES.
  2. PLEASE REFER TO PRODUCT DOCUMENTATION FOR FURTHER INFORMATION.
  3. UNLESS OTHERWISE SPECIFIED, ALL DIMENSIONS ARE IN INCHES [MILLIMETERS].
  4. NET WEIGHT IS 9.90 LBS [4.50KG]
  - △ 5. LENGTH OF CORD IS 120.00 INCHES [3048 MILLIMETERS]

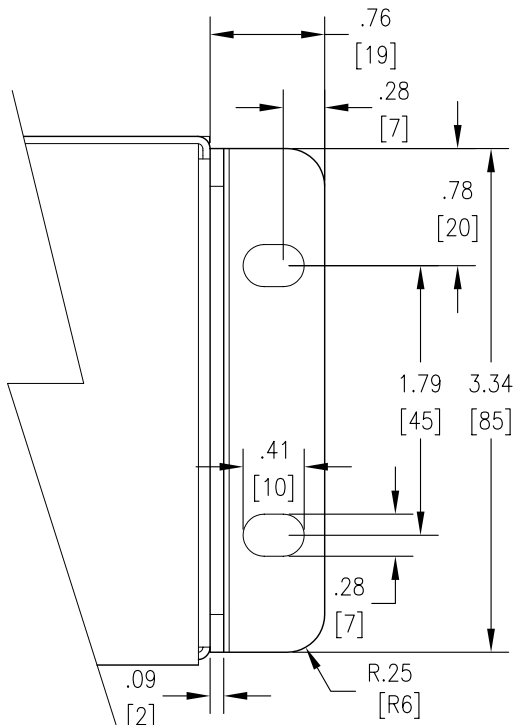


DETAIL A  
INPUT PLUG



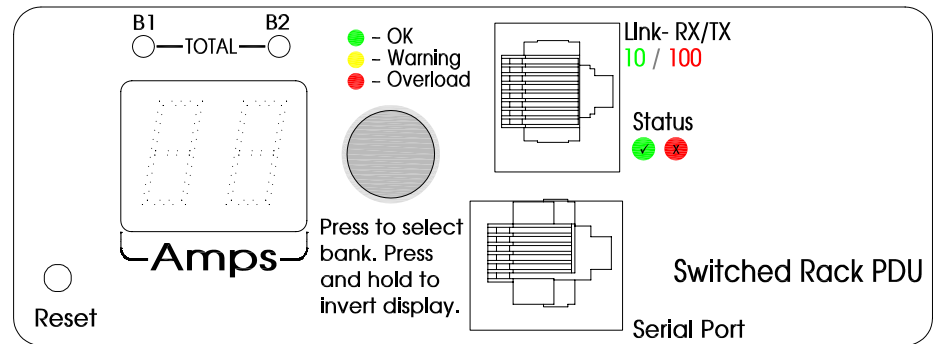
CORD RETENTION BRACKETS

ISOMETRIC VIEW  
w/(2) CORD RETENTION  
BRACKETS SHOWN  
w/o INPUT CORD



SEE SIDE VIEW  
FOR OVER LENGTH  
OF MOUNTING  
BRACKETS

DETAIL C  
MOUNTING PLATE DETAIL



DETAIL B  
DISPLAY INTERFACE  
(ENLARGED)