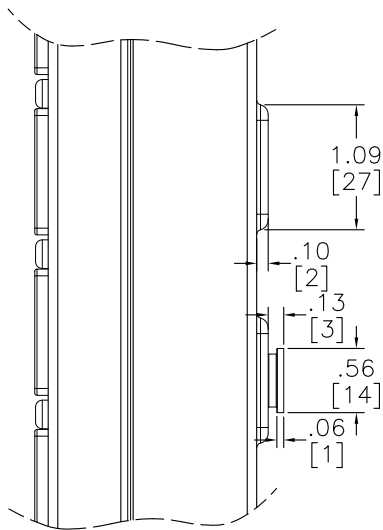


DETAIL A

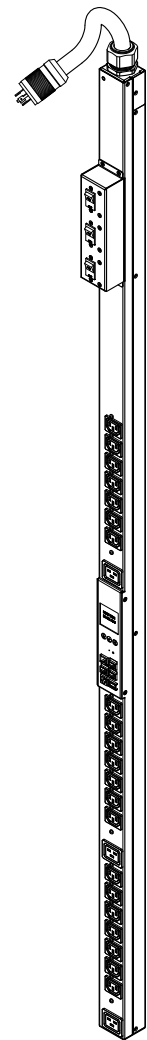
(NEMA L21-30P PLUG-ENLARGED)



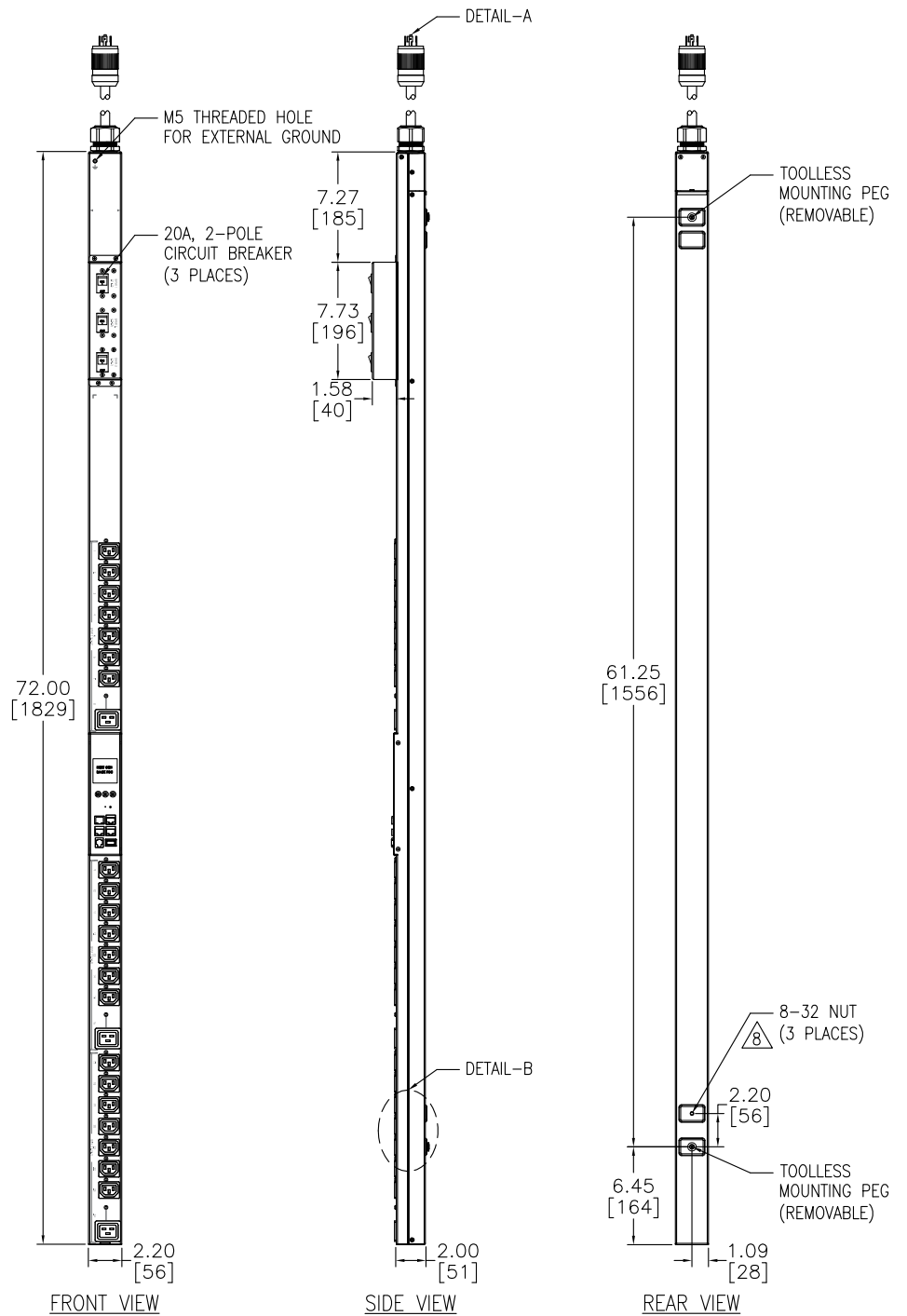
DETAIL-B

NOTES:

1. INSTALLATION SHALL COMPLY WITH ALL APPLICABLE NATIONAL, STATE AND LOCAL CODES.
 2. SEE PRODUCT DOCUMENTATION FOR FURTHER INFORMATION
 3. UNLESS OTHERWISE SPECIFIED, ALL DIMENSIONS ARE IN INCHES[MILLIMETERS].
 4. NET WEIGHT OF UNIT IS 18.00LBS [8.18kg].
 5. LENGTH OF THE CORD IS 72IN [1830MM].
 6. UNIVERSAL MOUNTING BRACKET IS AN ALTERNATIVE MOUNTING METHOD TO THE TOOLLESS MOUNT FOR 3RD PARTY ENCLOSURES. BRACKET IS PROVIDED WITH THE UNIT. DETAILED INSTALLATION INSTRUCTIONS CAN BE FOUND IN THE PROVIDED MANUAL.
 7. BRACKET KITS TO MOUNT TO SPECIFIC 3RD PARTY ENCLOSURES ARE AVAILABLE AS OPTIONS.
- △8. REFER TO WARNING LABEL ON REAR OF UNIT FOR SCREW MOUNTING.



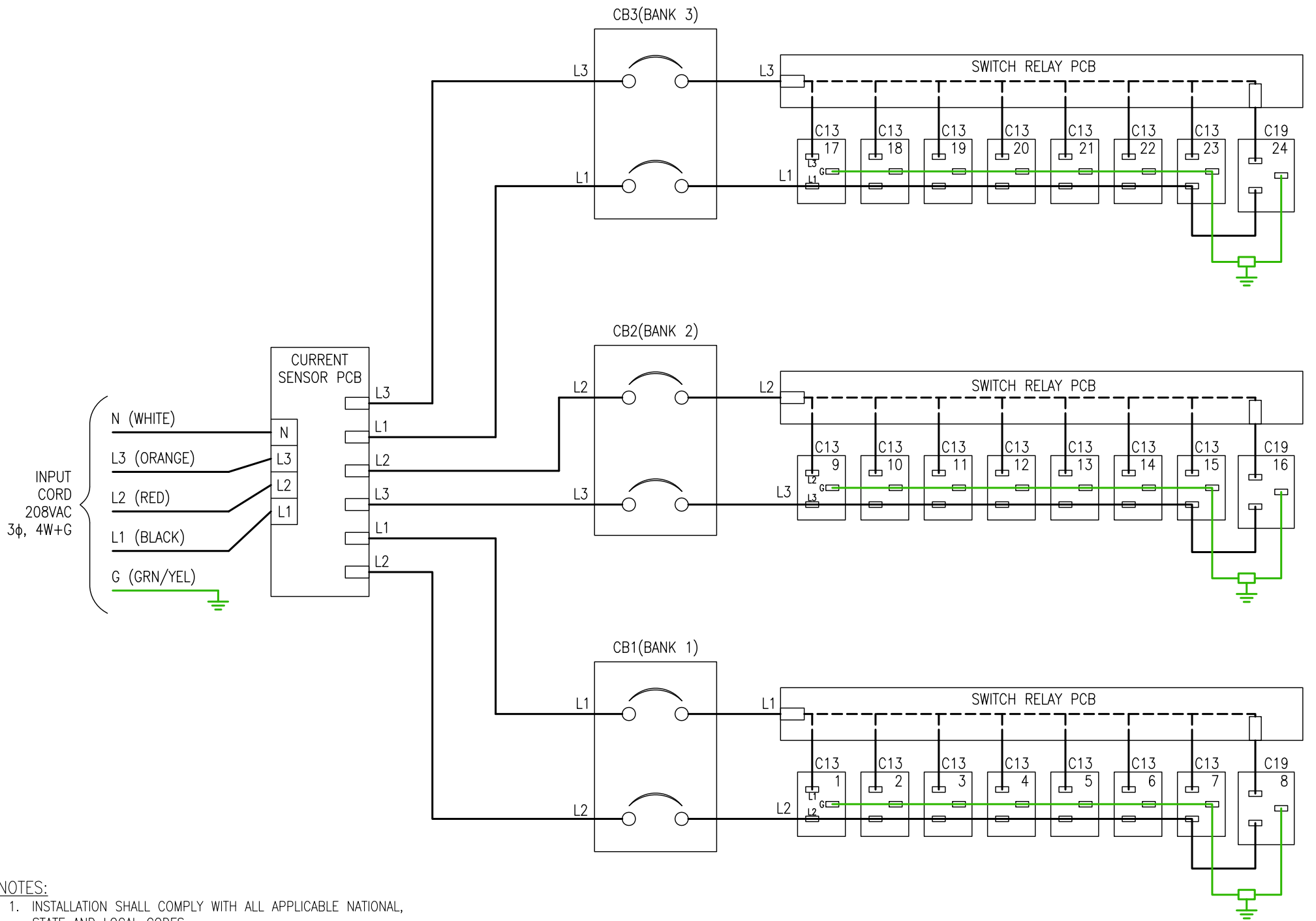
ISOMETRIC VIEW



FRONT VIEW

SIDE VIEW

REAR VIEW



NOTES:

1. INSTALLATION SHALL COMPLY WITH ALL APPLICABLE NATIONAL, STATE AND LOCAL CODES.
2. SEE PRODUCT DOCUMENTATION FOR FURTHER INFORMATION
3. THIS DRAWING DEPICTS THE POWER SYSTEM CONNECTIONS AND IS NOT REPRESENTATIVE OF THE PHYSICAL LAYOUT. PLEASE REFER TO MECHANICAL DRAWINGS FOR PHYSICAL LAYOUT.