

PROPRIETARY AND CONFIDENTIAL

THE INFORMATION CONTAINED IN THIS DRAWING IS THE SOLE PROPERTY OF SYNERGY GLOBAL TECHNOLOGY INC. ANY REPRODUCTION IN PART OR A WHOLE WITHOUT THE WRITTEN PERMISSION OF SYNERGY GLOBAL TECHNOLOGY INC IS STRICTLY PROHIBITED.

WEB PRINT

NEXT ASSY	USED ON
APPLICATION	

UNLESS OTHERWISE SPECIFIED:
DIMENSIONS ARE IN INCHES
TOLERANCES:
FRACTIONAL ± 1/8
ANGULAR BEND ± 1 DEGREE
TWO PLACE DECIMAL ± .03
THREE PLACE DECIMAL ± .01

Surface Area	MATERIAL
FINISH	DO NOT SCALE DRAWING

NAME	DATE
DRAWN	
CHECKED	
ENG APPR.	
MFG APPR.	
Q.A.	
COMMENTS:	

Part# CR1203		
TITLE: 22U LINIER FS GLASS FRONT/ VENTED REAR		
SIZE A	DWG. NO. 3100-3-001-22 WP	REV
SCALE: 1:20 WEIGHT: 114.25		SHEET 1 OF 2

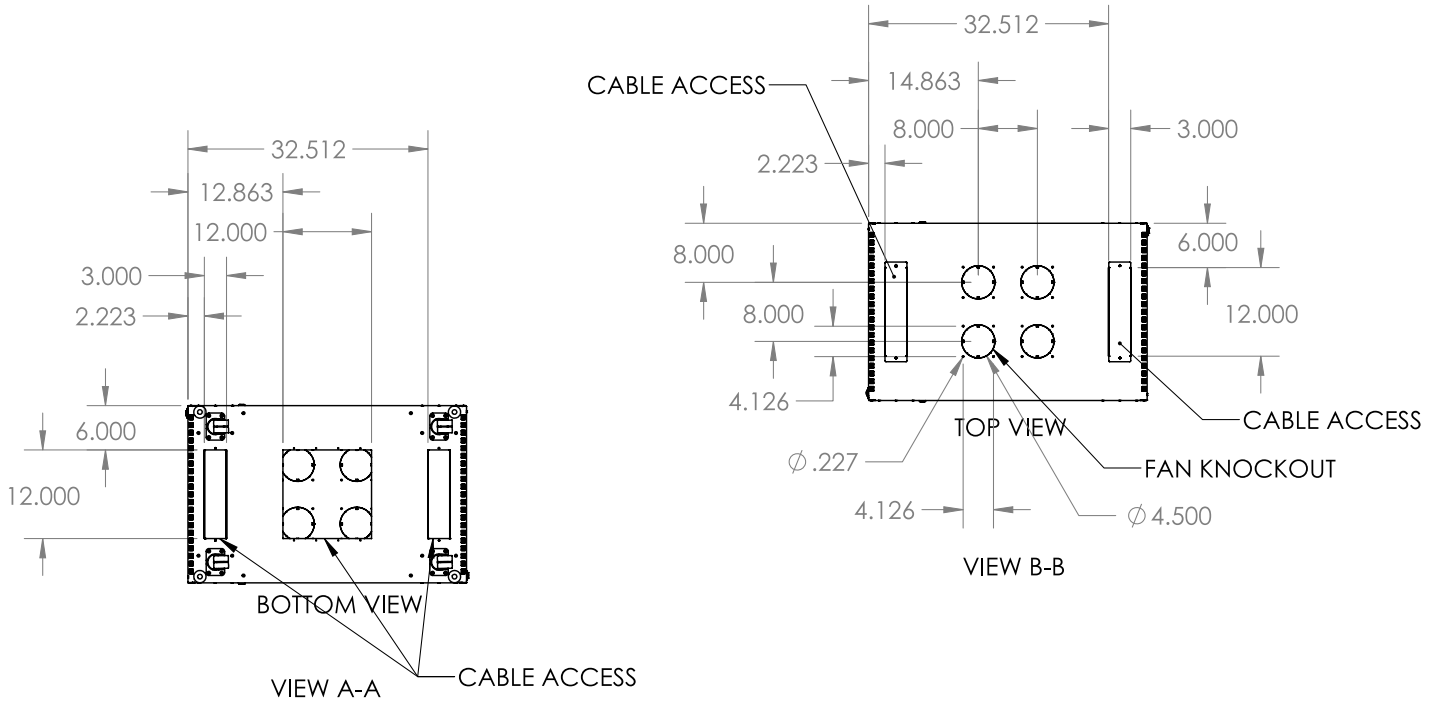
5

4

3

2

1



PROPRIETARY AND CONFIDENTIAL

THE INFORMATION CONTAINED IN THIS DRAWING IS THE SOLE PROPERTY OF SYNERGY GLOBAL TECHNOLOGY INC. ANY REPRODUCTION IN PART OR A WHOLE WITHOUT THE WRITTEN PERMISSION OF SYNERGY GLOBAL TECHNOLOGY INC IS STRICTLY PROHIBITED.

WEB PRINT

NEXT ASSY		USED ON
APPLICATION		

UNLESS OTHERWISE SPECIFIED:
DIMENSIONS ARE IN INCHES
TOLERANCES:
FRACTIONAL $\pm 1/8$
ANGULAR: BEND ± 1 DEGREE
TWO PLACE DECIMAL $\pm .03$
THREE PLACE DECIMAL $\pm .01$

MATERIAL	FINISH
DO NOT SCALE DRAWING	

	NAME	DATE
DRAWN		
CHECKED		
ENG APPR.		
MFG APPR.		
Q.A.		
COMMENTS:		

Part# CR1203

TITLE:
22U LINIER FS GLASS FRONT/ VENTED REAR

SIZE	DWG. NO.	REV
A	3100-3-001-22 WP	
SCALE: 1:20		WEIGHT: 114.25
SHEET 2 OF 2		

5

4

3

2

1