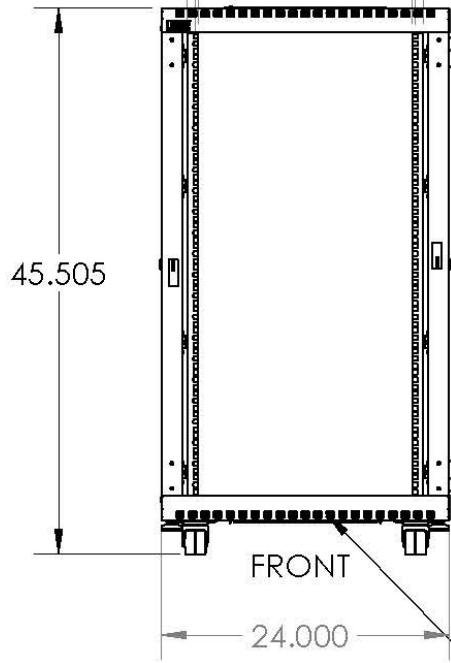


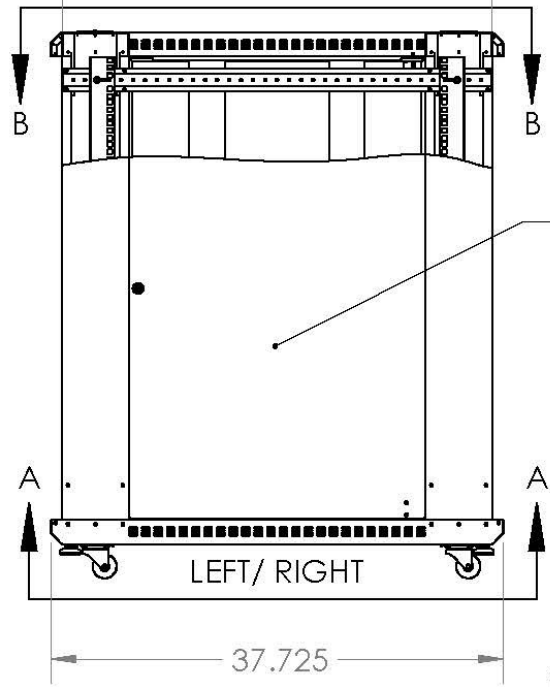
19.636 MAX  
 18.312 HOLE TO HOLE  
 17.812 INSIDE RAIL



FRONT  
 24.000

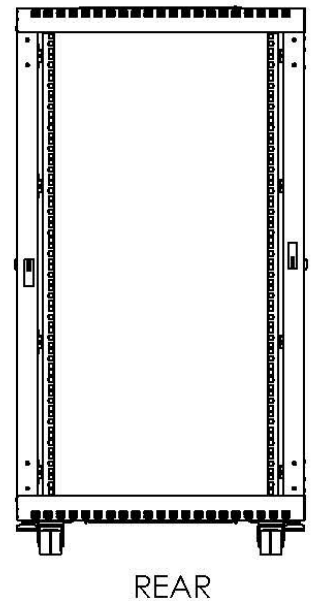
VENTING FRONT,  
 SIDES AND REAR,  
 TOP AND BOTTOM

35.638 MAX  
 RAIL TO RAIL



LEFT/ RIGHT  
 37.725

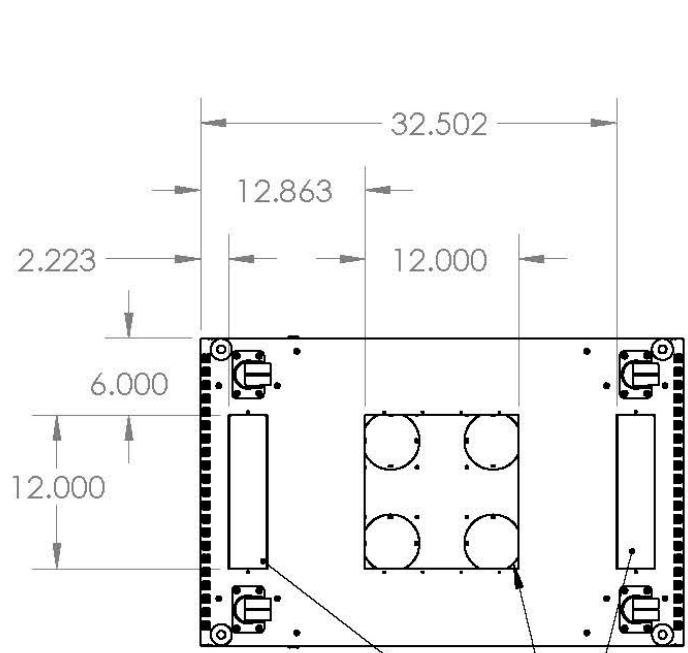
HINGED/  
 REMOVABLE  
 SIDE PANELS



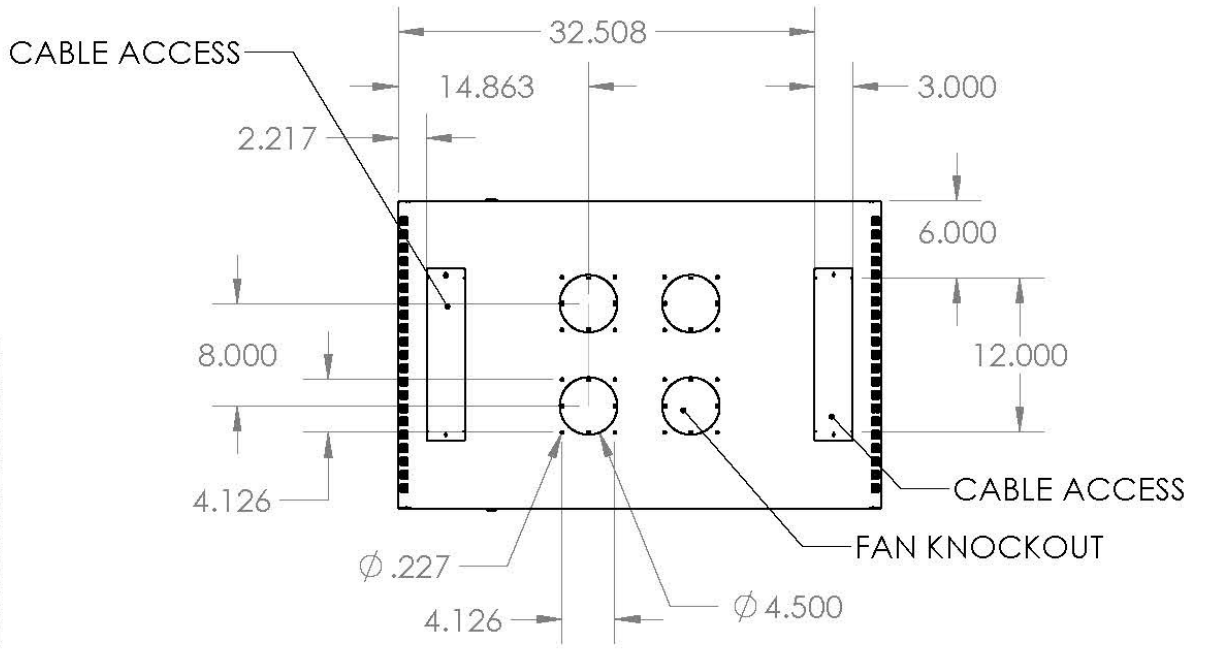
REAR

- NOTE:  
 1. 19" EIA RACK MOUNT COMPLIANT.  
 2. RAILS ACCEPT 3/8" CAGENUT.  
 3. BLACK POWDER COAT.

<b>WEB PRINT</b>		UNLESS OTHERWISE SPECIFIED: DIMENSIONS ARE IN INCHES TOLERANCES: FRACTIONAL ±1/8 ANGULAR: BEND ±1 DEGREE TWO PLACE DECIMAL ±.03 THREE PLACE DECIMAL ±.01		NAME	DATE	TITLE: <b>22U NO DOORS</b>
		Surface Area	DRAWN			
		MATERIAL	CHECKED			
		FINISH	ENG APPR.			
NEXT ASSY	USED ON	COMMENTS:	MFG APPR.			SIZE DWG. NO.
APPLICATION		DO NOT SCALE DRAWING	Q.A.			<b>A</b> <b>CR1203-C</b>
						SCALE: 1:20 WEIGHT: 90.20 SHEET 1 OF 2



VIEW A-A  
SCALE 1 : 15  
BOTTOM VIEW



VIEW B-B  
SCALE 1 : 15  
TOP VIEW

<b>WEB PRINT</b>		UNLESS OTHERWISE SPECIFIED: DIMENSIONS ARE IN INCHES TOLERANCES: FRACTIONAL ±1/8 ANGULAR: BEND ±1DEGREE TWO PLACE DECIMAL ±.03 THREE PLACE DECIMAL ±.01		NAME	DATE	TITLE: <b>22U NO DOORS</b>		
		Surface Area	MATERIAL	DRAWN			SIZE	DWG. NO.
NEXT ASSY	USED ON	FINISH	COMMENTS:	ENG APPR.		<b>A</b>	<b>CR1203-C</b>	
APPLICATION		DO NOT SCALE DRAWING		MFG APPR.		SCALE: 1:20	WEIGHT: 90.20	SHEET 2 OF 2