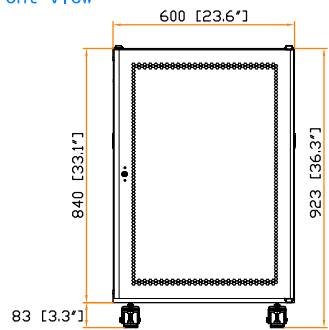
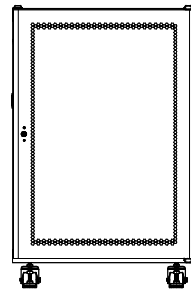


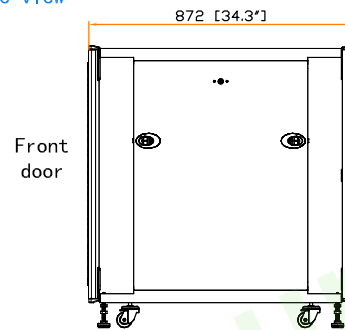
Front view



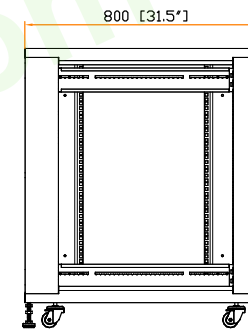
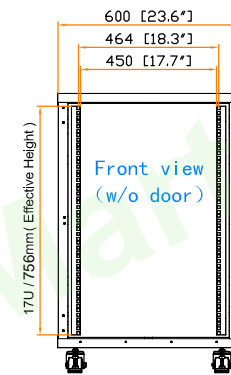
Rear view



Side view

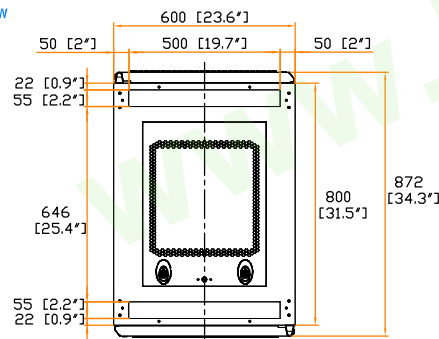


Side view(w/o side panel)

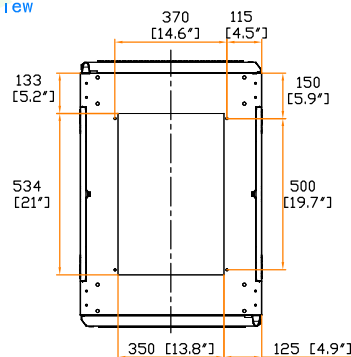


Front view (w/o door)

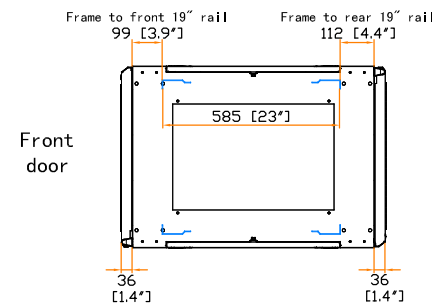
Top view



Bottom view



19" rail position



Front door

Front door

Front door



The company reserves the right to modify product specifications without prior notice and assumes no responsibility for any error which may appear in this publication.

Copyright 2013 Synergy Global Technology Inc. All rights reserved.



Dimension (Overall) : 600 (W) x 872 (D) x 923 (H) mm / 23.6 (W) x 34.3 (D) x 36.3 (H) in.

Dimension (Effective) : 600 (W) x 800 (D) x 756 (H) mm / 23.6 (W) x 31.5 (D) x 29.8 (H) in.

Net Weight : - kg / - lb

Color : Black (RAL-9005) or Grey white (RAL-9002)

Static Loading : 1000kg / 2200lb

Environmental : RoHS2 & REACH compliant by SGS

Unit : mm [in.]