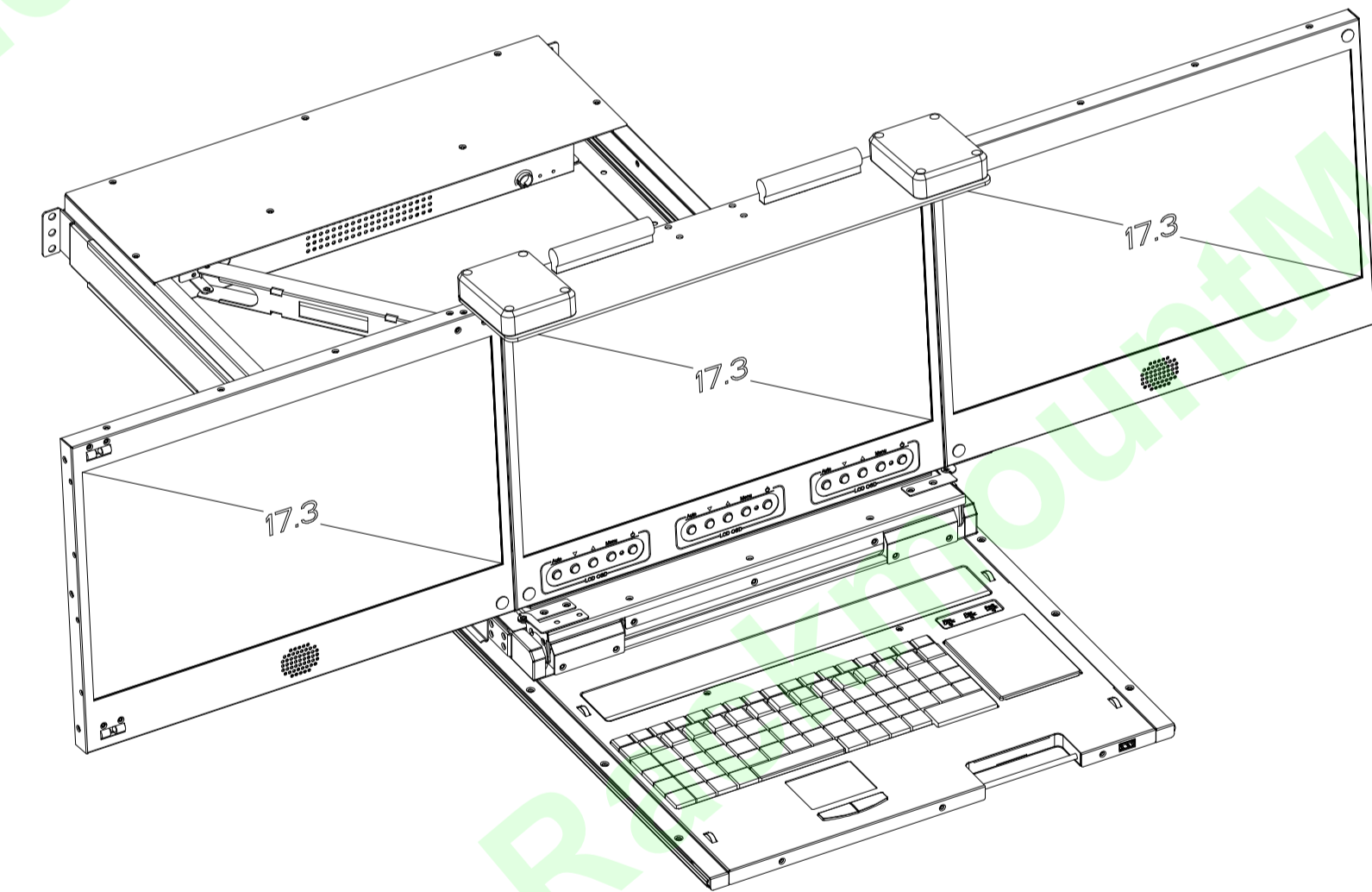
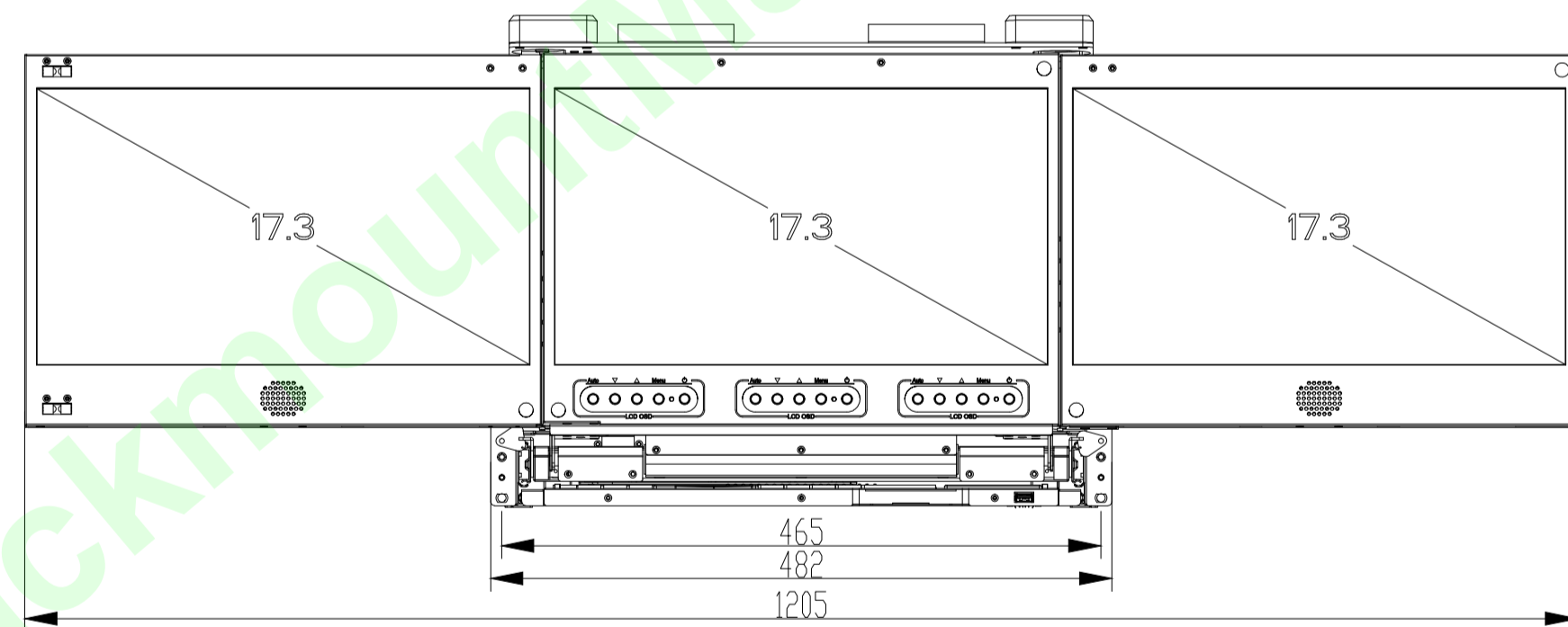
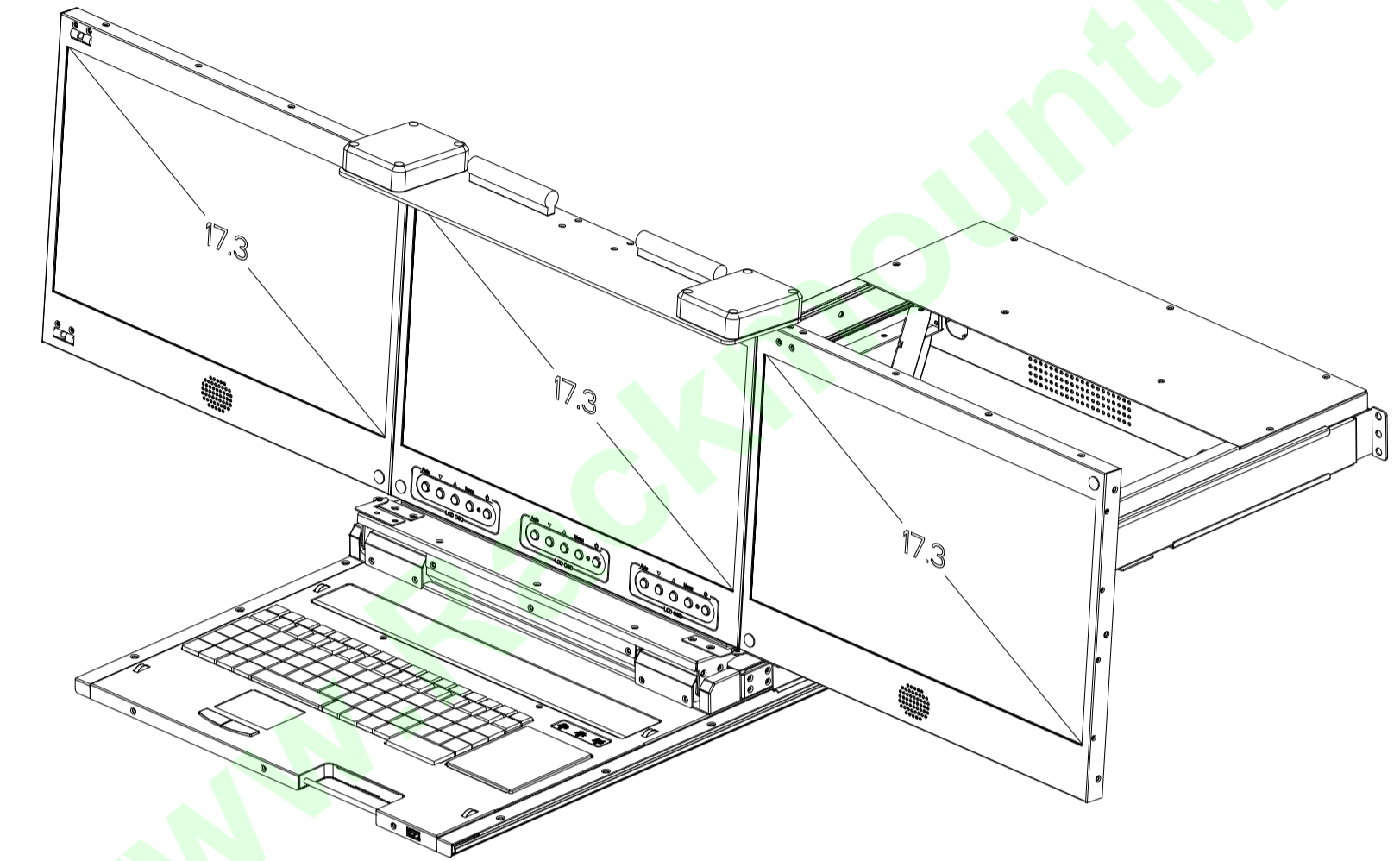
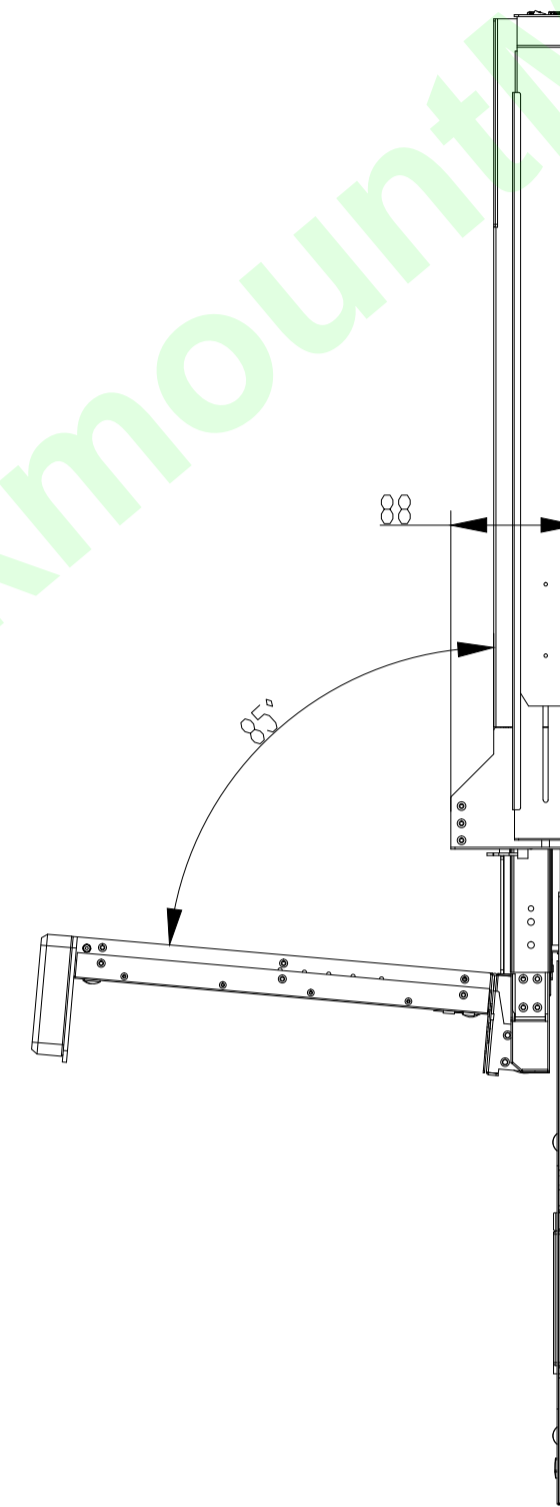
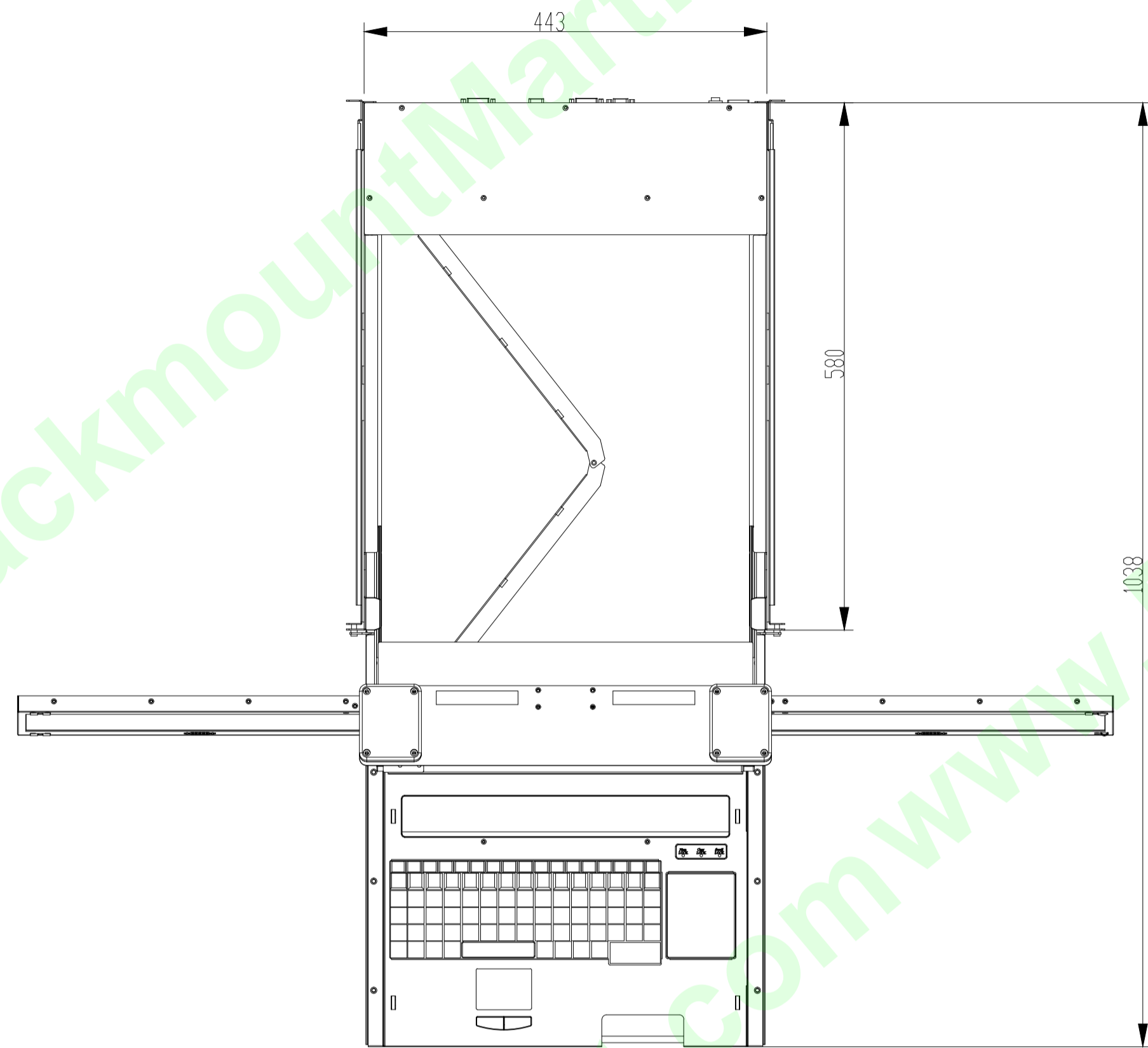


LCD2U17-3H-01

Unit = mm



LCD2U17-3H-01

Unit = mm