



Toll Free: 1-888-865-6888

Tel: 510-226-8368 Fax: 510-226-8968

Email: [sales@RackmountMart.com](mailto:sales@RackmountMart.com)

# User Manual **Rack Mount Display Monitor**



## **LCDR6U17-06**

**6U 17.3 inch Rack Mount Display Monitor**

**Options :**

- AV, S-video input
- Touchscreen



# Contents

## < Part. 1 > LCDR6U17-06

- |     |                               |         |
|-----|-------------------------------|---------|
| 1.1 | Package Content               | P.1     |
| 1.2 | Structure Diagram & Dimension | P.1 - 2 |
| 1.3 | Installation                  |         |

## < Part. 2 > Specifications / OSD

- |     |                                     |         |
|-----|-------------------------------------|---------|
| 2.1 | Product Specifications              | P.4 - 5 |
| 2.2 | On-screen Display Operation ( OSD ) | P.6     |

## < Part. 3 > Options

- |     |             |     |
|-----|-------------|-----|
| 3.1 | Touchscreen | P.7 |
|-----|-------------|-----|

## Before Installation

- It is very important to mount the equipment in a suitable cabinet or on a stable surface.
- Make sure the place has a good ventilation, is out of direct sunlight, away from sources of excessive dust, dirt, heat, water, moisture and vibration.

## Unpacking

The equipment comes with the standard parts shown in package content. Check and make sure they are included and in good condition. If anything is missing, or damaged, contact the supplier immediately.

## How To Clean Your LCD Monitor



### Caution :

- To avoid the risk of electric shock, make sure your hands are dry before unplugging your monitor from or plugging your monitor into an electrical outlet.
- When you clean your monitor, do not press down on the LCD screen. Pressing down on the screen can scratch or damage your display. Pressure damage is not covered under warranty.
- Use only cleansers made specifically for cleaning monitors and monitor screens. Cleansers not made to clean monitors and monitor screens can scratch the LCD display or strip off the finish.
- Do not spray any kind of liquid directly onto the screen or case of your monitor. Spraying liquids directly onto the screen or case can cause damage which is not covered under warranty.
- Do not use paper towels or abrasive pads to clean your monitor. Using an abrasive pad or any wood based paper product such as paper towels can scratch your LCD screen.

## Cleaning Your Monitor

To clean your LCD safely, please follow these steps :

- ① Disconnect the power cord.
- ② Gently wipe the surface using a clean, dry microfiber cloth. Use as little pressure as possible.

## Cleaning Tough Marks and Smudges

To remove tough marks and smudges, please follow these steps :

- ① Disconnect the power cord.
- ② Spray a small amount of non-abrasive cleanser on a microfiber cloth.



**Caution : Do not spray or apply any liquids directly onto the monitor. Always apply the solution to your microfiber cloth first, not directly on the parts you are cleaning.**

- ③ Gently wipe the surface. Use as little pressure as possible.
- ④ Wait until your monitor is completely dry before plugging it in and powering it up.

< Part 1 >

< 1.1 > Package Content

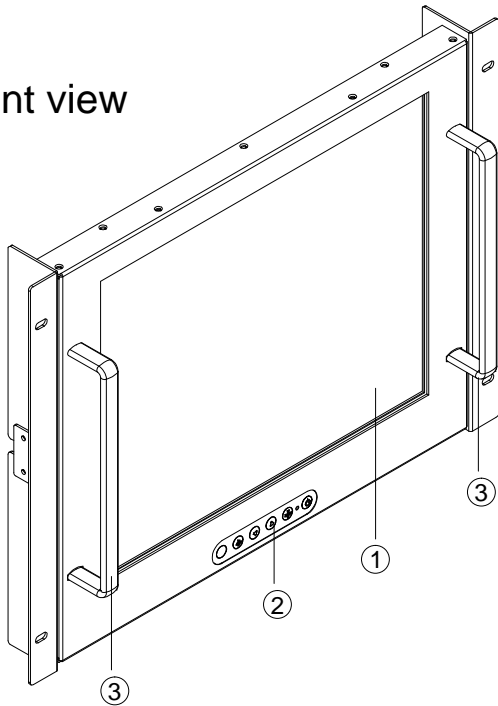


**LCDR6U17-06 unit X 1**

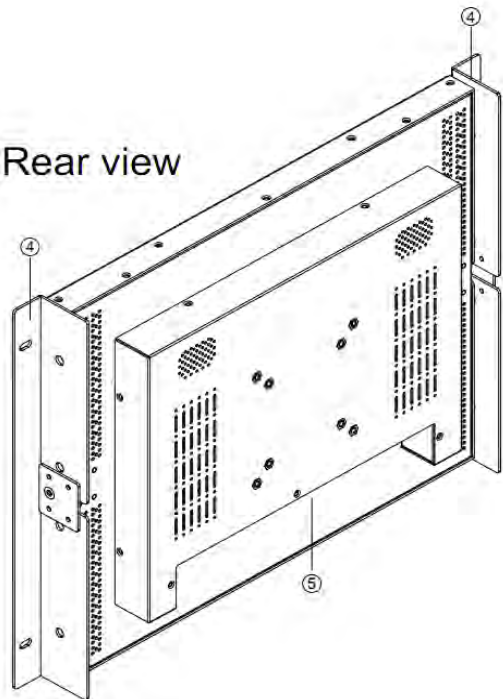
- 1.8 M VGA cable X 1
- 1.8 M DVI cable X 1
- 1.8 M Audio cable X 1
- Power cord X 1

< 1.2 > Structure Diagram

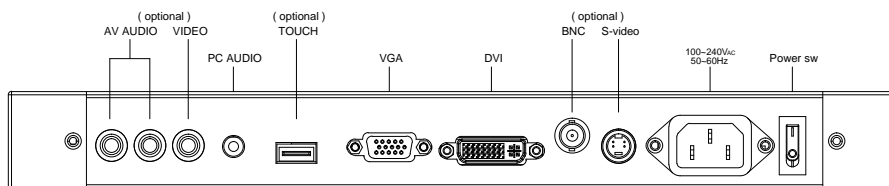
Front view



Rear view



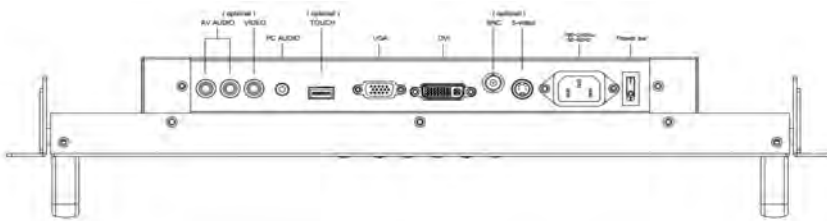
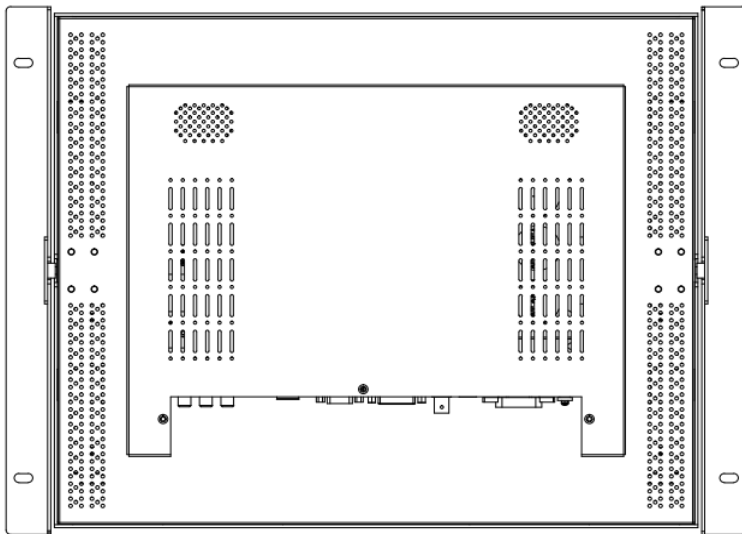
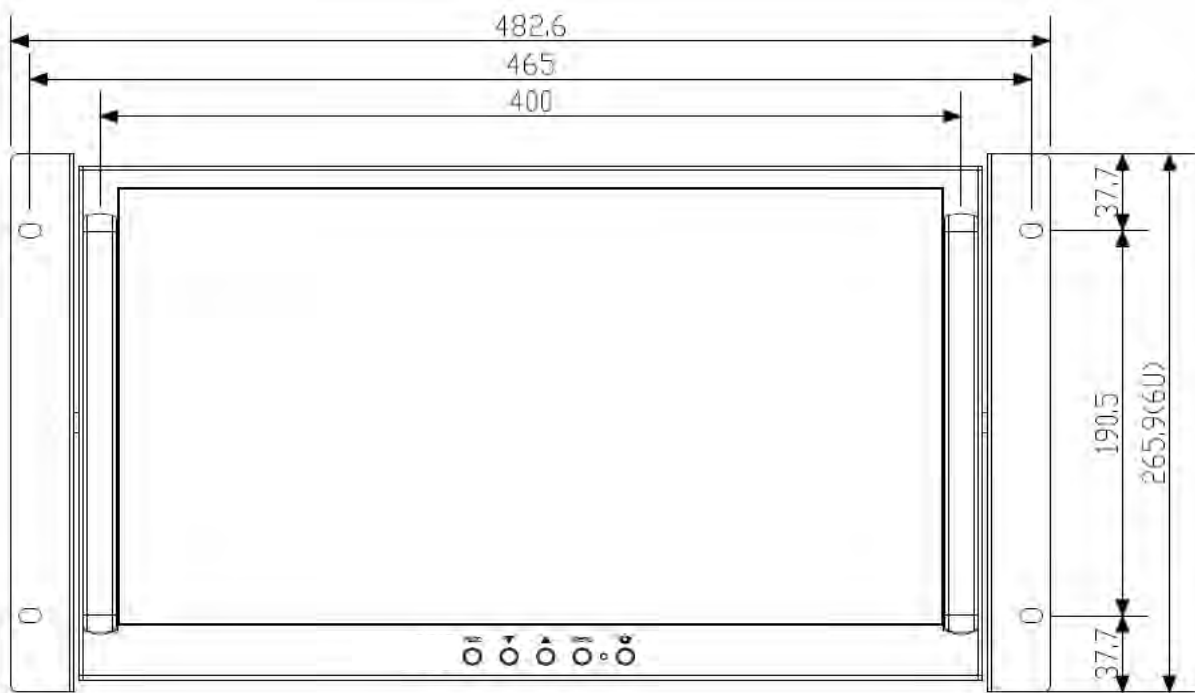
- ① LCD PANEL
- ② LCD OSD
- ③ Handle
- ④ Mounting bracket
- ⑤ I/O bracket



Basic I/O : DVI + VGA + Audio w/ speaker

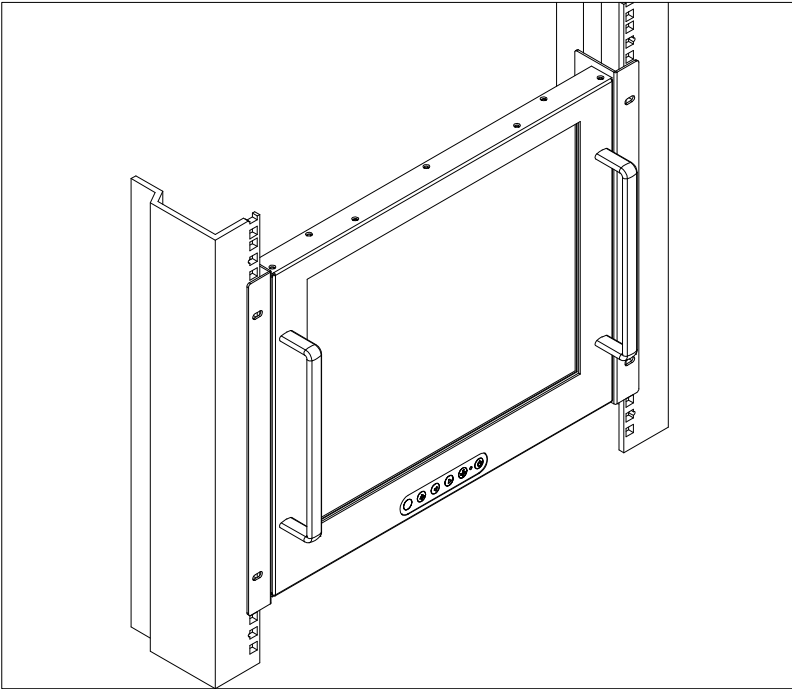
Options : AV , BNC , S\_Video , touchscreen & DC power

## < 1.2 > Dimension



Model	Product Dimension (W x D x H)	Net Weight
LCDR6U17-06	482.6 x 63 x 266 mm	7 kg

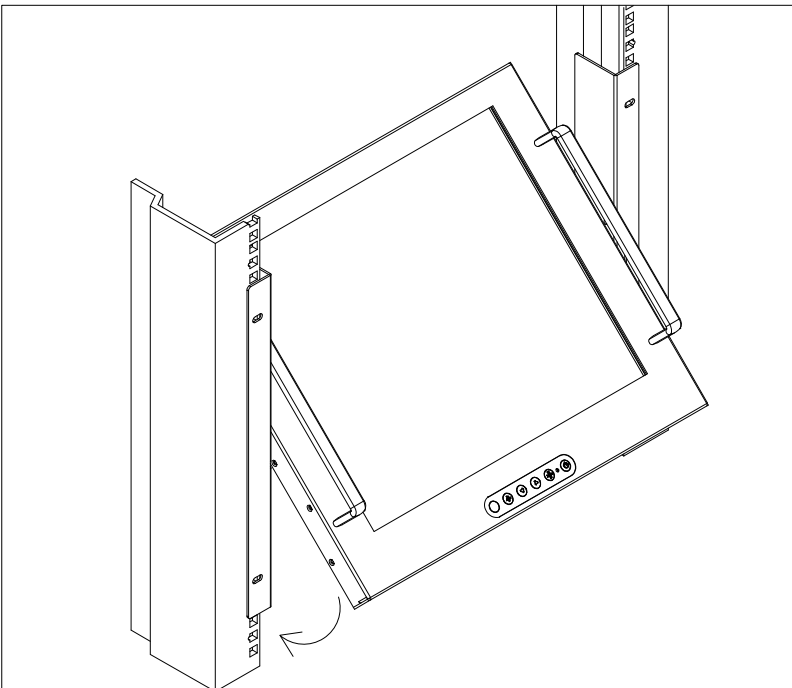
## < 1.3 > Rack Mounting Installation



### Step ①

Mount the LCDR6U17-06 display panel with M6 screw set  
4 x M6 screw set are required

M6 screw sets are not provided.



### Step ②

90° tilt adjustment while mounted in rack: +45°~-45°

## < Part 2 >

### < 2.1 > Product Specifications

<b>LCD Panel</b>	Manufacturer	AUO
	Panel Size ( diagonal )	17.3 inch widescreen
	Display pixel ( dots x lines )	1920 x 1080 (up to 1920 x 1200)
	Brightness ( typ. )	300
	Contrast Ratio ( typ.)	400:1
	Color	262K
	Viewing Angle ( L/R/U/D )	70/70/60/60
	Response Time ( ms )	16
	Dot pitch ( mm )	0.1989(H) x 0.1989(V)
	Backlight Type	LED

<b>Video Connectivity</b>	Digital	DVI	DVI-D, TMDS single link
	Analog	VGA	Analog 0.7Vp-p
		Composite ( RCA )	NTSC & PAL
		S-Video ( 4-pin )	NTSC & PAL

<b>Audio Connectivity</b>	Audio Input	Connector	3.5mm stereo jack
		Impedance / Power level	30kΩ / 750mV
	Speaker	Dual Stereo Speaker	2W x 2

<b>Power</b>	Power Supply	Range	Auto-sensing 100 to 240VAC, 50 / 60Hz
--------------	--------------	-------	---------------------------------------

<b>Regulatory</b>	Safety	FCC & CE certified
	Environmental	RoHS2 & REACH compliant



<b>Environmental Conditions</b>	Operating	Temperature	0 to 55°C degree
		Humidity	20~90%, non-condensing
		Altitude	16,000 ft
	Storage / Non-operating	Temperature	-20 to 60°C degree
		Humidity	5~90%, non-condensing
		Altitude	40,000 ft
		Shock	10G acceleration (11ms duration)
		Vibration	5~500Hz 1G RMS random

<b>Physical Specification</b>	Product ( W x D x H )	482.6 x 63 x 266 mm
	Net Weight	7 kg

<b>Applicable Format</b>	DVI-D / VGA Input	PC Signal	1920 x 1080 x 60Hz
			1360 x 768 x 60Hz
			1280 x 1024 x 60 / 75Hz
			1280 x 960 x 60Hz
			1280 x 768 x 60 / 75Hz
			1152 x 864 x 75Hz
			1024 x 768 x 60 / 70 / 75Hz
			848 x 480 x 60Hz
			800 x 600 x 60 / 72 / 75Hz
			720 x 400 x 70Hz
			640 x 480 x 60 / 72 / 75Hz
			640 x 400 x 70Hz
			640 x 350 x 70Hz

## < 2.2 > On-screen Display Operation ( OSD )

### OSD Control buttons

LCD OSD can establish and setup LCD display. Setup instructions of four buttons are as follows:

Button	Functions
POWER	Turn on or off the LCD Display
Menu/Enter	Activate OSD menu, select a menu and press MENU key to confirm the selection and enter the submenu.
▲	Press this key to increase setting or scroll up the menu bar
▼	Press this key to Decrease setting or scroll down the menu bar
Auto	press the auto key to adjust screen display position (VGA mode)



**USB Touchscreen Specification**

<b>Model</b>	<b>TRB</b> Resistive	<b>TCB</b> Capacitive
<b>Technology</b>	5-Wire Resistive	Capacitive
<b>Touch Point</b>	Single	Single
<b>Method</b>	Stylus or Finger	Finger
<b>Activation Force</b>	≤ 50g / Stylus=R0.8	≤ 50g
<b>Durability</b>	10 million touches	300 million touches
<b>Response Time</b>	15 ms	20 ms
<b>Optical Transmittance</b>	80% ± 3%	87% ±2%
<b>Surface Hardness</b>	3H	9H
<b>Haze</b>	8% ± 3%	7%
<b>Glass</b>	3.2 ±0.2 mm	2.8 mm ±10%
<b>Connector</b>	USB Type A	
<b>Compatibility</b>	Windows 7 / XP / Vista, Linux	

- USB touchscreen package includes 2 x 1.8 M USB cable, quick reference guideline and CD disc
- For detailed information, please refer to the attached CD disc
- As the touchscreen unit is not made of toughened glass, please handle it carefully

The company reserves the right to modify product specifications without prior notice and assumes no responsibility for any error which may appear in this publication.

All brand names, logo and registered trademarks are properties of their respective owners.

Copyright 2021 Synergy Global Technology Inc. All rights reserved.