



Toll Free: 1-888-865-6888

Tel: 510-226-8368 Fax: 510-226-8968

Email: sales@RackmountMart.com

User Manual 21.5" Full HD 1920 x 1080 LCD



LCDR9U21-01

9U Rackmount Display Panel



Options :
- DC power



Legal Information

First English printing, November 2020

Information in this document has been carefully checked for accuracy; however, no guarantee is given to the correctness of the contents. The information in this document is subject to change without notice. We are not liable for any injury or loss that results from the use of this equipment.

Safety Instructions

Please read all of these instructions carefully before you use the device. Save this manual for future reference.

- Unplug equipment before cleaning. Don't use liquid or spray detergent; use a moist cloth.
- Keep equipment away from excessive humidity and heat. Preferably, keep it in an air-conditioned environment with temperatures not exceeding 40° Celsius (104° Fahrenheit).
- When installing, place the equipment on a sturdy, level surface to prevent it from accidentally falling and causing damage to other equipment or injury to persons nearby.
- When the equipment is in an open position, do not cover, block or in any way obstruct the gap between it and the power supply. Proper air convection is necessary to keep it from overheating.
- Arrange the equipment's power cord in such a way that others won't trip or fall over it.
- If you are using a power cord that didn't ship with the equipment, ensure that it is rated for the voltage and current labeled on the equipment's electrical ratings label. The voltage rating on the cord should be higher than the one listed on the equipment's ratings label.
- Observe all precautions and warnings attached to the equipment.
- If you don't intend on using the equipment for a long time, disconnect it from the power outlet to prevent being damaged by transient over-voltage.
- Keep all liquids away from the equipment to minimize the risk of accidental spillage. Liquid spilled on to the power supply or on other hardware may cause damage, fire or electrical shock.
- Only qualified service personnel should open the chassis. Opening it yourself could damage the equipment and invalidate its warranty.
- If any part of the equipment becomes damaged or stops functioning, have it checked by qualified service personnel.

What the warranty does not cover

- Any product, on which the serial number has been defaced, modified or removed.
- Damage, deterioration or malfunction resulting from:
 - Accident, misuse, neglect, fire, water, lightning, or other acts of nature, unauthorized product modification, or failure to follow instructions supplied with the product.
 - Repair or attempted repair by anyone not authorized by us.
 - Any damage of the product due to shipment.
 - Removal or installation of the product.
 - Causes external to the product, such as electric power fluctuation or failure.
 - Use of supplies or parts not meeting our specifications.
 - Normal wear and tear.
 - Any other causes which does not relate to a product defect.
- Removal, installation, and set-up service charges.

Regulatory Notices Federal Communications Commission (FCC)

This equipment has been tested and found to comply with the limits for a Class B digital device, pursuant to Part 15 of the FCC rules. These limits are designed to provide reasonable protection against harmful interference in a residential installation.

Any changes or modifications made to this equipment may void the user's authority to operate this equipment. This equipment generates, uses, and can radiate radio frequency energy and, if not installed and used in accordance with the instructions, may cause harmful interference to radio communications.

However, there is no guarantee that interference will not occur in a particular installation. If this equipment does cause harmful interference to radio or television reception, which can be determined by turning the equipment off and on, the user is encouraged to try to correct the interference by one or more of the following measures:

- Re-position or relocate the receiving antenna.
- Increase the separation between the equipment and receiver.
- Connect the equipment into an outlet on a circuit different from that to which the receiver is connected.

Contents

< Part. 1 > Lcdr9U21-01

- | | | |
|-----|-------------------|---------|
| 1.1 | Package Content | P.1 |
| 1.2 | Structure Diagram | P.1 - 2 |
| 1.3 | Installation | P.3 - 4 |

< Part. 2 > Specifications

- | | | |
|-----|------------------------|---------|
| 2.1 | Product Specifications | P.5 - 6 |
|-----|------------------------|---------|

< Part. 3 > Quad Display Connection & Operation

- | | | |
|-----|------------------------|-----|
| 3.1 | LQD-1080 Operation | P.7 |
| 3.2 | LQD-1080 Connection | P.8 |
| 3.3 | LQD-1080 Specification | P.9 |

< Part. 4 > Options

- | | | |
|-----|-----------------------------------|------|
| 4.1 | DC Power : 12V / 24V / 48V / 125V | P.10 |
|-----|-----------------------------------|------|

Before Installation

- It is very important to mount the equipment in a suitable cabinet or on a stable surface.
- Make sure the place has a good ventilation, is out of direct sunlight, away from sources of excessive dust, dirt, heat, water, moisture and vibration.

Unpacking

The equipment comes with the standard parts shown in package content. Check and make sure they are included and in good condition. If anything is missing, or damaged, contact the supplier immediately.

How To Clean Your LCD Monitor



Caution :

- To avoid the risk of electric shock, make sure your hands are dry before unplugging your monitor from or plugging your monitor into an electrical outlet.
- When you clean your monitor, do not press down on the LCD screen. Pressing down on the screen can scratch or damage your display. Pressure damage is not covered under warranty.
- Use only cleansers made specifically for cleaning monitors and monitor screens. Cleansers not made to clean monitors and monitor screens can scratch the LCD display or strip off the finish.
- Do not spray any kind of liquid directly onto the screen or case of your monitor. Spraying liquids directly onto the screen or case can cause damage which is not covered under warranty.
- Do not use paper towels or abrasive pads to clean your monitor. Using an abrasive pad or any wood based paper product such as paper towels can scratch your LCD screen.

Cleaning Your Monitor

To clean your LCD safely, please follow these steps :

- ① Disconnect the power cord.
- ② Gently wipe the surface using a clean, dry microfiber cloth. Use as little pressure as possible.

Cleaning Tough Marks and Smudges

To remove tough marks and smudges, please follow these steps :

- ① Disconnect the power cord.
- ② Spray a small amount of non-abrasive cleanser on a microfiber cloth.



Caution : Do not spray or apply any liquids directly onto the monitor. Always apply the solution to your microfiber cloth first, not directly on the parts you are cleaning.

- ③ Gently wipe the surface. Use as little pressure as possible.
- ④ Wait until your monitor is completely dry before plugging it in and powering it up.

< Part 1 > LCDR9U21-01

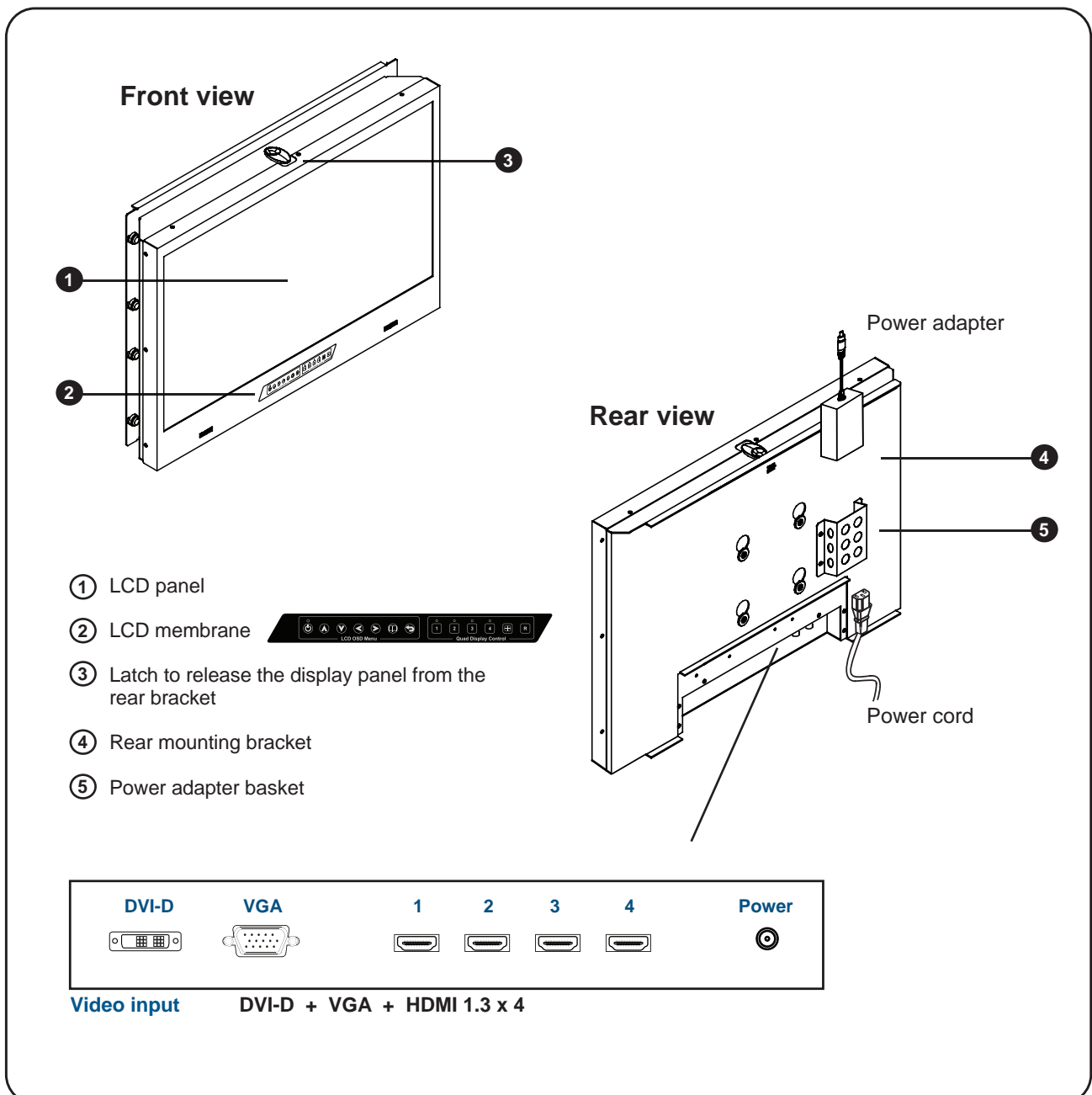
< 1.1 > Package Content



LCDR9U21-01 unit X 1

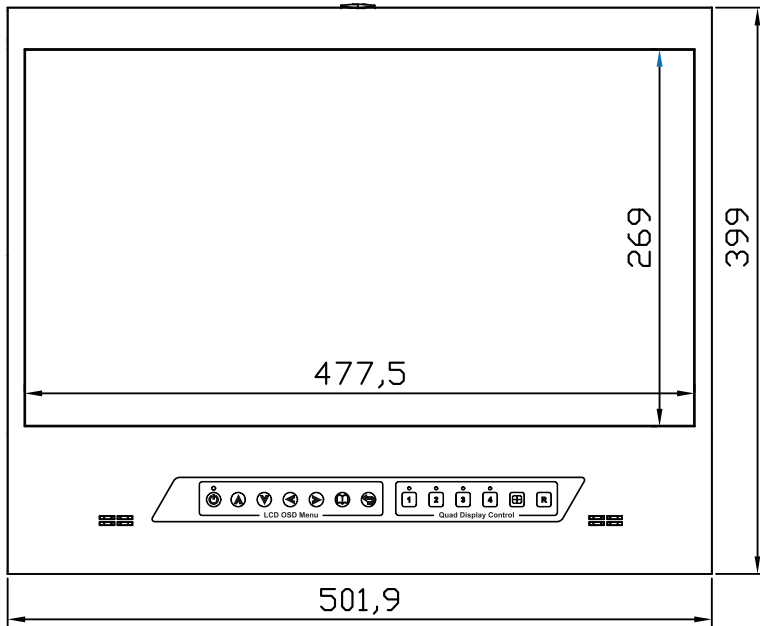
- 6ft VGA cable X 1
- Power adapter X 1
- Power cord X 1
- Fastener screw for rear bracket x 2

< 1.2 > Structure Diagram

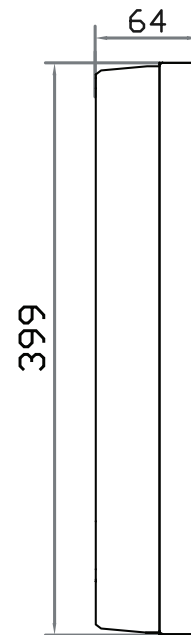


< 1.2 > Dimension

Front View

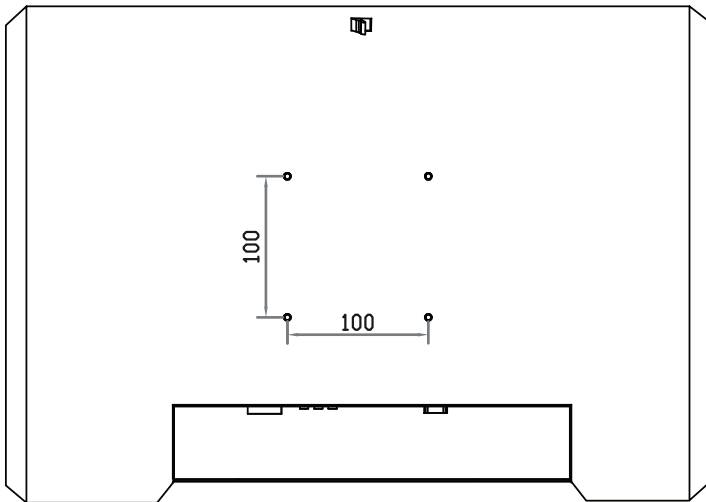


Side View



UNIT : mm
1mm = 0.03937 inch

Rear View

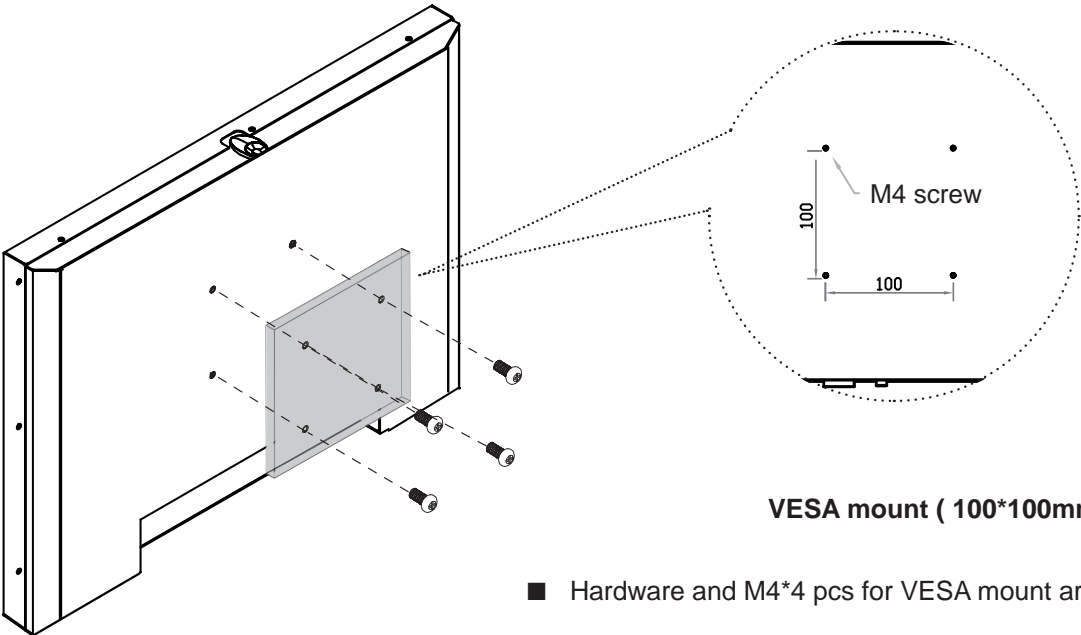


Bottom View

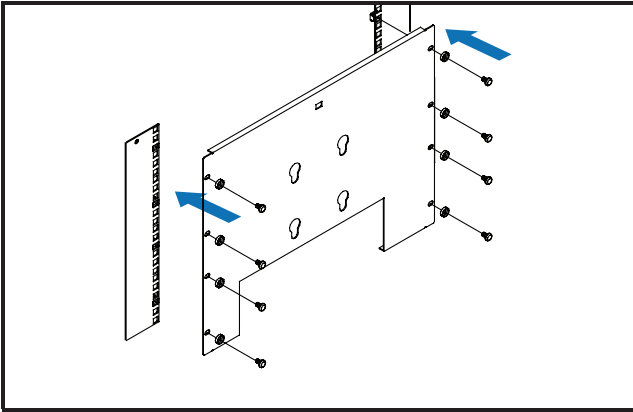


Model	Product Dimension (W x D x H)	Net Weight
LCDR9U21-01	501.9 x 64 x 399 mm 19.8 x 2.5 x 15.7 inch	9.5 kg 20.9 lb

< 1.3 > VESA mount Installation



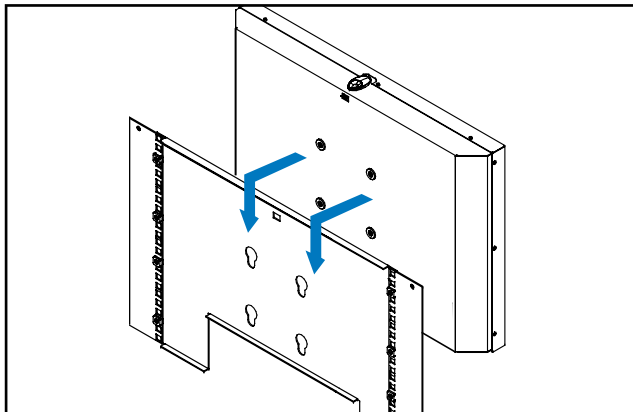
< 1.3 > Rear Mounting Bracket Installation



Step 1

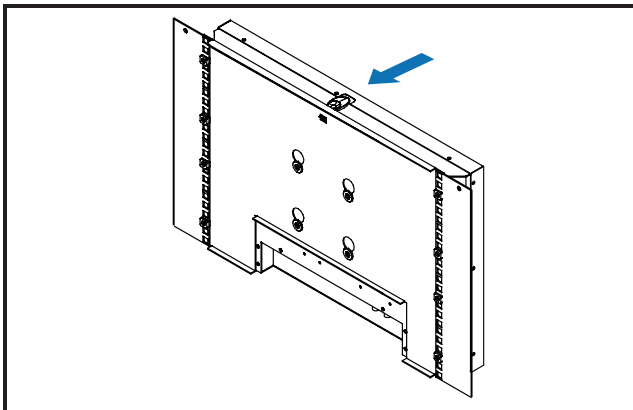
- Mount the rear bracket with M6 screw set.
- 8 x M6 screw set are required.

M6 screw sets are not provided.



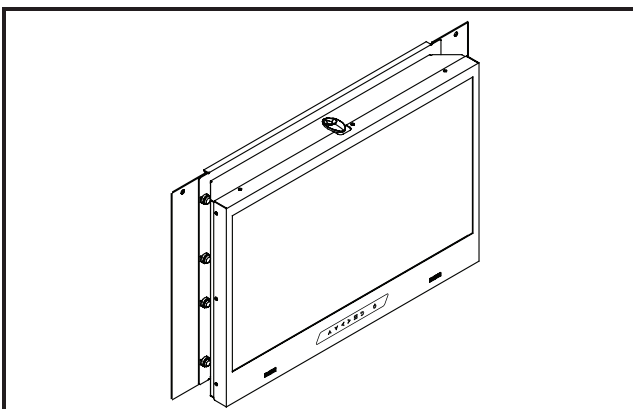
Step 2

- Insert the RP-F821 display panel into the rear bracket.



Step 3

- Fix the unit to the bracket with the top latch.



Step 4

Complete the installation

< Part 2 > Specifications / OSD / Remote Controller

< 2.1 > Product Specifications

LCD Panel	
Panel Size (diagonal)	21.5-inch Widescreen TFT color LCD
Native resolution	1920 x 1080
Brightness (cd/m ²)	250
Contrast Ratio (typ.)	1000:1
Colors	16.7 M
Viewing Angle (L/R/U/D)	85/85/80/80
Response Time (ms)	5
Dot pitch (mm)	0.248
Display Area (mm)	476.64H x 268.11V
Surface treatment	Haze 25%, Hard-coating
Surface hardness	3H
Backlight Type	LED
MTBF (hrs)	30,000

Video	
VGA	Analog 0.7Vp-p
DVI	DVI-D single link
HDMI x 4	HDMI 1.3, CEA-861-D

Mounting	
Rackmount	9U
VSEA mount	100 x 100 mm

Power	Standard
Input	Auto-sensing 100 to 240VAC, 50 / 60Hz
Consumption:	
Screen ON	Max. 28W
Power saving mode	Max. 2W
Power button OFF	Max. 1W

Compliance	
EMC	FCC & CE certified
Safety	CE / LVD certified
Environment	RoHS3 & REACH compliant

Environmental Conditions		
Operating	Temperature	0 to 55°C degree
	Humidity	20~90%, non-condensing
	Altitude	16,000 ft
Storage / Non-operating	Temperature	-20 to 60°C degree
	Humidity	5~90%, non-condensing
	Altitude	40,000 ft
	Shock	10G acceleration (11ms duration)
	Vibration	10~300Hz 0.5G RMS random vibration

Physical Specification	
Product (W x D x H)	
mm	501.9 x 64 x 399 mm
inch	19.8 x 2.5 x 15.7 inch
Net Weight	9.5 kg / 20.9 lb

* All dimensions stated are subject to change if options are selected / integrated to base model part codes



Applicable Format		
DVI-D / VGA Input	PC Signal	1920 x 1080 x 60Hz
		1360 x 768 x 60Hz
		1280 x 1024 x 60 / 75Hz
		1280 x 960 x 60Hz
		1280 x 768 x 60 / 75Hz
		1152 x 864 x 75Hz
		1024 x 768 x 60 / 70 / 75Hz
		848 x 480 x 60Hz
		800 x 600 x 60 / 72 / 75Hz
		720 x 400 x 70Hz
		640 x 480 x 60 / 72 / 75Hz
HDMI Input *	PC Signal	640 x 400 x 70Hz
		640 x 350 x 70Hz
		Same as VGA
		HDMI 1.3
	1920 x 1080 x 50 / 60Hz (1080p)	
	1920 x 1080 x 25 / 30Hz (1080i)	
	1280 x 720 x 50 / 60Hz (720p)	
720 x 480 x 50 / 60Hz (576p / 480p)		
Audio Signal		2ch Linear PCM


* In some circumstances, if the user connects the LCD to PC via HDMI port for video and audio signals, the LCD may display incorrectly on a full screen. If so, please adjust the display card setting on display size to fix the issue.


< Part 3 > Quad Display Connection & Operation

< 3.1 > LQD-1080 Operation

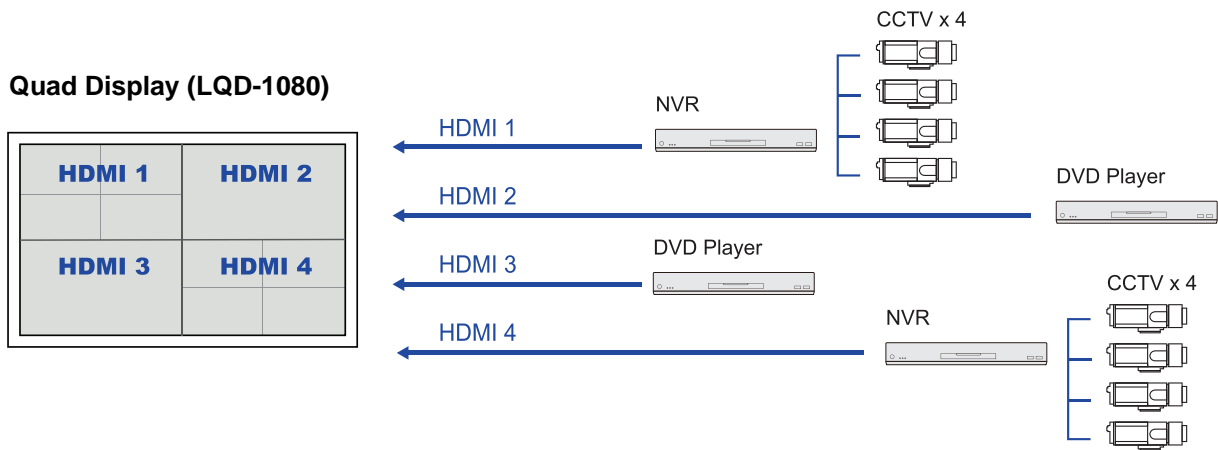


①     Press this button to select specific input to be displayed in full screen

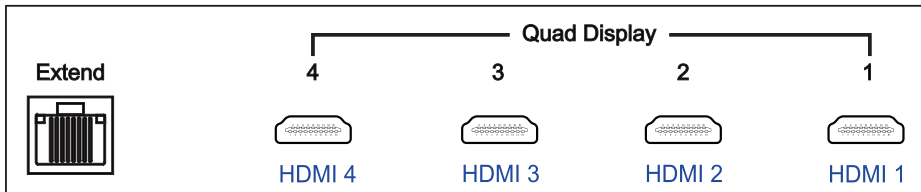
②  Press this button to switch between Quad/ Full Screen display mode

③  Press this button to select the HDMI output resolution

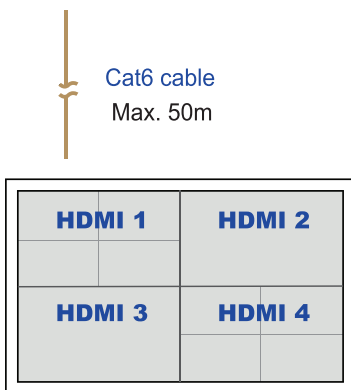
< 3.2 > LQD-1080 Connection



Quad Display (LQD-1080)



Extension Module (LQD-E1080)



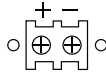
Extension Module (LQD-E1080)

< 3.3 > LQD-1080 Specification

Item		Description	
Video Bandwith		2.25 Gbps	
Input Port		HDMI x 4	
Output Port		HDMI x 1	
Output Port Option		UTP x 1	
Input Resolution		480i 60Hz,	1080i 50/60Hz,
		480p 60Hz,	800x600 @60,
		576i 50Hz,	1024x768 @60,
		576p 50Hz,	1280x720 @60,
		720p 50/60Hz,	1920x1080 @60;
		1080p 24/30/50/60Hz	
		Output Resolution	
1080i	1360x768		
720p			
Audio Output		PCM2, 5.1, 7.1CH, Dolby 5.1, DTS5.1	
ESD Protection	Human Body model	±8 kV (air-gap discharge) ±4 kV (contact discharge)	

< Part 4 > Options

< 4.1 > Options : DC Power



Model	12V	24V	48V	125V
Input rating				
Input voltage:	12-Volt	24-Volt	48-Volt	110-Volt
Input range:	9 ~ 18V	18 ~ 36V	36 ~ 75V	66 ~ 160V
Input current				
- No load	50 mA	50 mA	50 mA	35 mA
- Full load	4950 mA	2450 mA	1220 mA	749 mA
Output rating				
Output voltage:	12-Volt	12-Volt	12-Volt	12-Volt
Output current:	4.16A	4.16A	4.16A	6.25A
Efficiency	84%	85%	85%	91%

*** For DC power option :

(1) If the unit with LCD, **earthing** may be required 

The company reserves the right to modify product specifications without prior notice and assumes no responsibility for any error which may appear in this publication.

All brand names, logo and registered trademarks are properties of their respective owners.

Copyright 2020 Synergy Global Technology Inc. All rights reserved.