



Benefits

- ▶ 1U keyboard drawer
- ▶ 104-key keyboard with either touchpad or trackball
- ▶ One Man installation design
- ▶ Enhanced aesthetics with molded front panel and two point lock

Options

- SUN Micro keyboard options available

Product Specifications

Console Port	
KB / MS	USB interface
	Drawer end : attached 6ft USB cable x 2
	Server end : USB type A x 2

Physical		
Dimensions (W x D x H)	Product	442 x 600 x 44 mm 17.4 x 23.6 x 1.73 inch
Weight	Net	10.9 kg / 24 lb

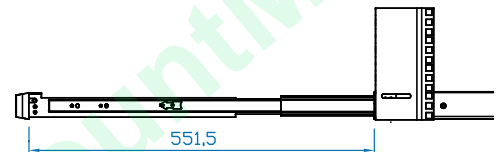
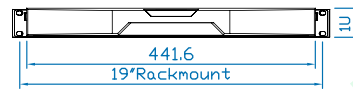
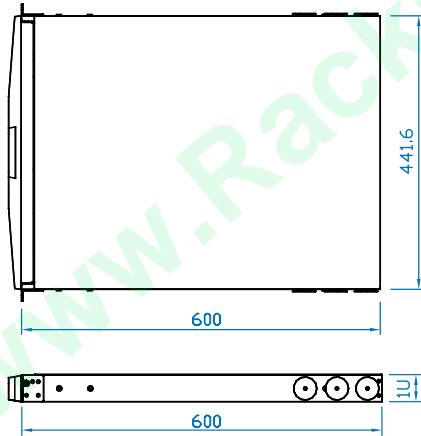
* All dimensions stated are subject to change if options are selected / integrated to base model part codes

Mounting Distance	
Single console drawer / Console w/ KVM drawer	560 ~ 790 mm 22 ~ 31.1 inch

Environment	
Operating temp.	-20 to 65°C degree
Storage temp.	-20 to 60°C degree
Operating humidity	10~90%, non-condensing
Storage humidity	5 ~90%, non-condensing
Operating altitude	16,000 ft
Non-operating altitude	40,000 ft
Shock	10G acceleration (11ms duration)
Vibration	10~300Hz 0.5G RMS random vibration

Compliance	
EMC	FCC & CE
Safety	CE / LVD & UKCA
Environment	REACH & RoHS3 / WEEE

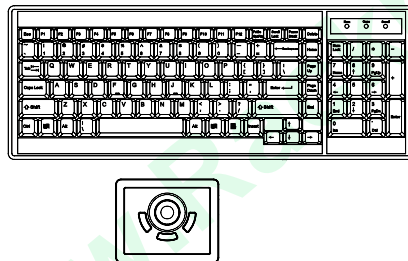
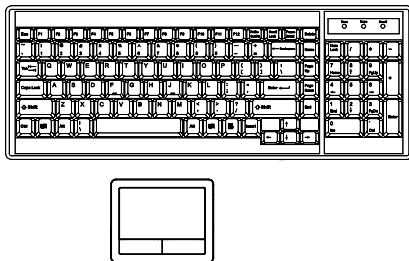
Diagrams (mm)



Standard Keyboard

N keyboard with touchpad

B keyboard with trackball



Supporting layouts

America	U.S.
EMEA	U.K. Germany France Russia Spain Italy
Asia	Japan Korea

Keyboard Options

* US layout only

Sn SUN keyboard with touchpad

Sb SUN keyboard with trackball

