



**Benefits**

- 4K KVM with 8 HDMI USB ports in 1U
- 4K KVM cables support DisplayPort & HDMI video input
- USB hub port share peripheral devices among computers
- Local console & KVM ports support resolution 4K, 2K and 1080p.
- Multi-platform for PC, server, blade server & SUN / MAC
- Port switching via front button & keyboard hotkeys
- Hot pluggable, no software or drivers required



**Options**

- DC power options : 12V / 24V / 48V / 110V / 125V



**LCD-A3009**  
DisplayPort KVM cable, 6 ft  
4K 60Hz

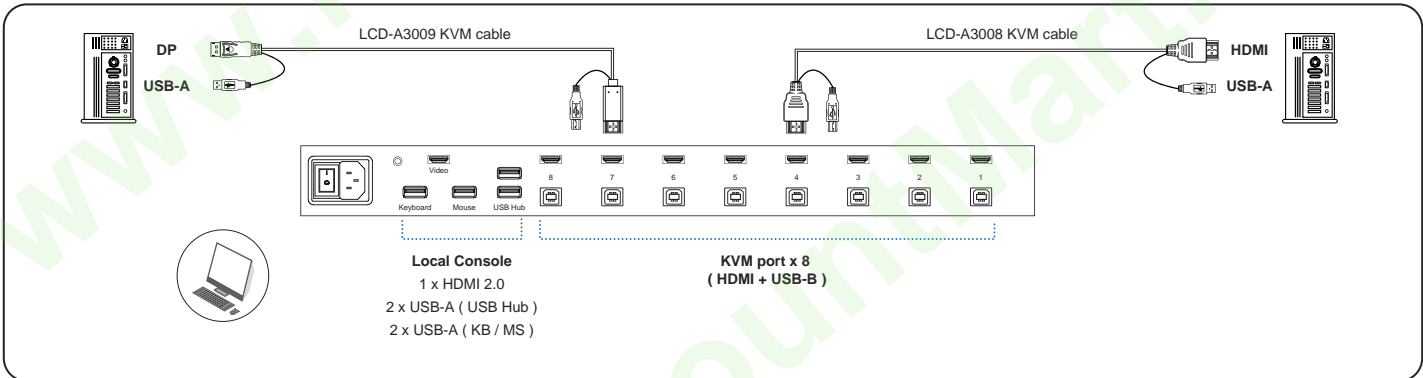


**LCD-A3008**  
HDMI KVM cable, 6 ft  
4K 60Hz

KVM Port	
Port # :	8
Connector :	HDMI 2.0 + USB-B ( Video + KB / MS )
Resolution :	16 : 9 - max. 3840 x 2160@60Hz 16 : 10 - max. 1920 x 1200@60Hz 4 : 3 - max. 1600 x 1200@60Hz

Local Console	
Keyboard / Mouse :	2 x USB-A
Video :	1 x HDMI 2.0
Resolution :	16 : 9 - max. 3840 x 2160@60Hz 16 : 10 - max. 1920 x 1200@60Hz 4 : 3 - max. 1600 x 1200@60Hz

**Local console & KVM port connection**



Management	
Port switching	Front button & keyboard hotkeys

Compatibility	
Hardware	HP / IBM / Dell PC, Server and Blade Server SUN / Mac
OS support	Windows / Linux / Unix / Mac OS

Environment	
Operating temp.	0 to 55°C degree
Storage temp.	-20 to 60°C degree
Operating humidity	20~90%, non-condensing
Storage humidity	5 ~90%, non-condensing
Operating altitude	16,000 ft
Non-operating altitude	40,000 ft
Shock	10G acceleration ( 11ms duration )
Vibration	10~300Hz 0.5G RMS random vibration

Power	
Input	Auto-sensing 100 to 240VAC, 50 / 60Hz
Consumption	Max. 10W

Compliance	
Safety	FCC & CE certified
Environment	RoHS2 & REACH compliant

Physical	
Product (W x D x H)	443 x 171 x 44 mm 17.4 x 6.7 x 1.73 inch
Weight (Net)	2.5 kg / 5.5 lb
Chassis color	Dark
Chassis materials	Steel