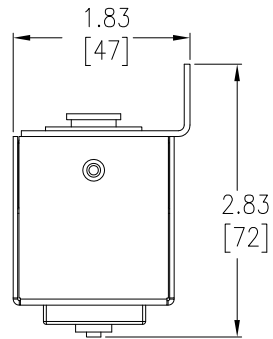


**NOTES:**

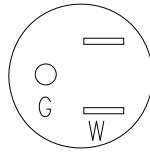
1. ALL DIMENSIONS ARE IN INCHES [MILLIMETERS].
2. NET WEIGHT IS 4.8 LBS [2.18kg]
3. LENGTH OF THE CORD IS 144 INCHES [3658mm].
4. INSTALLATION MUST COMPLY WITH ALL APPLICABLE NATIONAL AND LOCAL CODES.

**RA5014-515-15A-515**

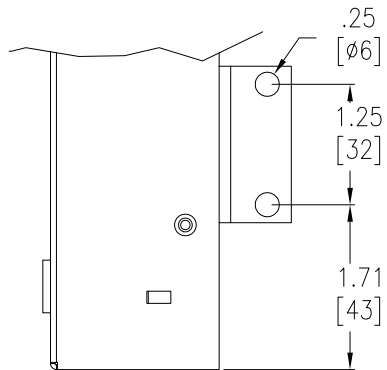
## DETAILS (ENLARGED VIEWS)



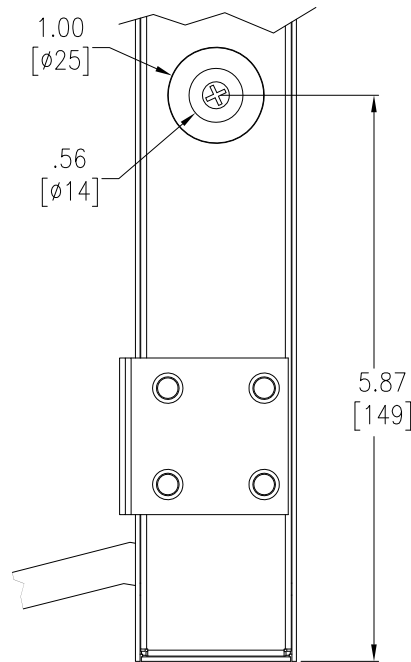
DETAIL-A (ENLARGED)



DETAIL-B  
(NEMA 5-15P ENLARGED)

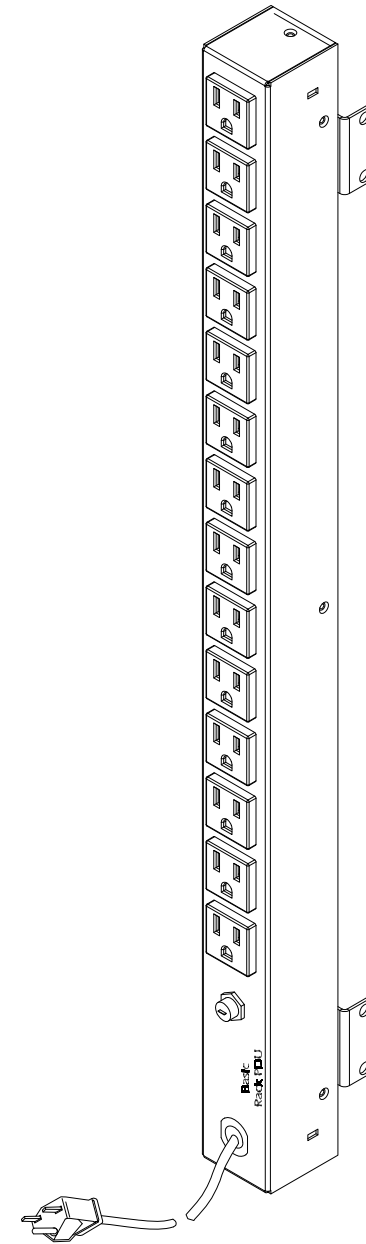


DETAIL-C  
(MOUNTING BRACKET ENLARGED)



DETAIL-D  
(NEMA 5-15P ENLARGED)

## ISOMETRIC VIEW



RACK PDU WITH BRACKET

### NOTES:

1. ALL DIMENSIONS ARE IN INCHES [MILLIMETERS].
2. INSTALLATION MUST COMPLY WITH ALL APPLICABLE NATIONAL AND LOCAL CODES.

**RA5014-515-15A-515**