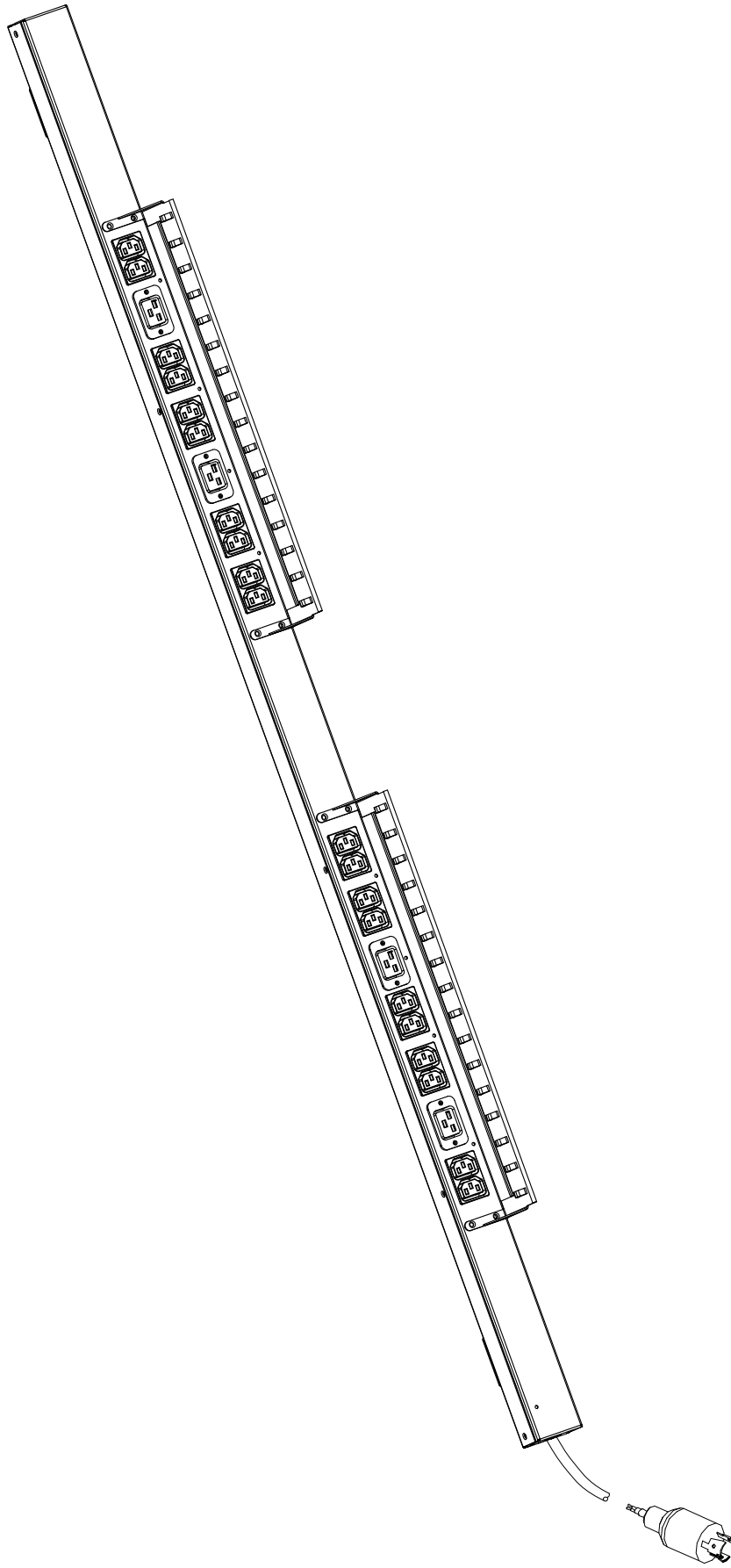


NOTES:

1. INSTALLATION SHALL COMPLY WITH ALL APPLICABLE NATIONAL, STATE AND LOCAL CODES.
2. PLEASE REFER TO APC PRODUCT MANUAL.
3. ALL DIMENSIONS ARE IN INCHES [MILLIMETERS].
4. NET WEIGHT IS 10.70 LBS, [4.86 kg].
5. BRACKET KITS TO MOUNT TO SPECIFIC COMPETITORS RACKS ARE AVAILABLE AS OPTIONS.

RA5024-C-20A-L620



RA5024-C-20A-L620