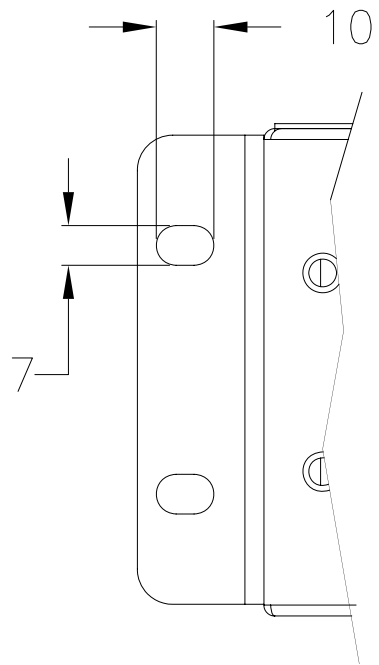


- NOTES:**
1. ALL DIMENSIONS ARE IN MILLIMETERS.
 2. NET WEIGHT IS 6.36 kg.
 3. BRACKET KITS TO MOUNT TO SPECIFIC COMPETITORS RACKS ARE AVAILABLE AS OPTION.
 4. INSTALLATION MUST COMPLY WITH ALL APPLICABLE NATIONAL AND LOCAL STANDARDS.

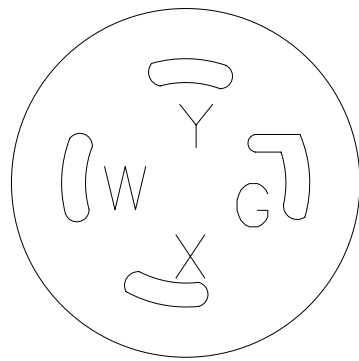
RA5204-L520-30A-L143



DETAILS

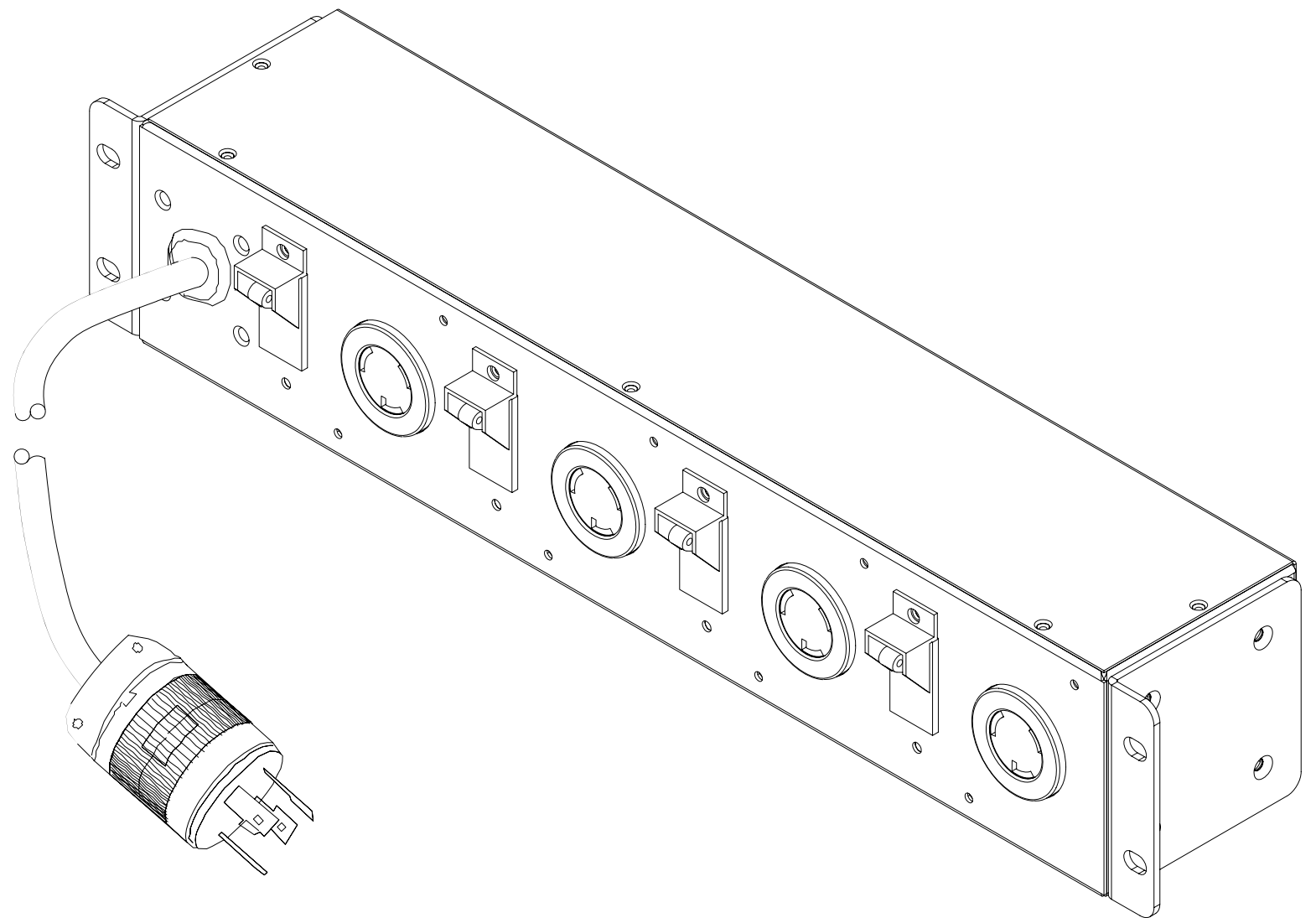


VIEW A (ENLARGED)



VIEW B
(NEMA L14-30 PLUG ENLARGED)

ISOMETRIC VIEW



RA5204-L520-30A-L143