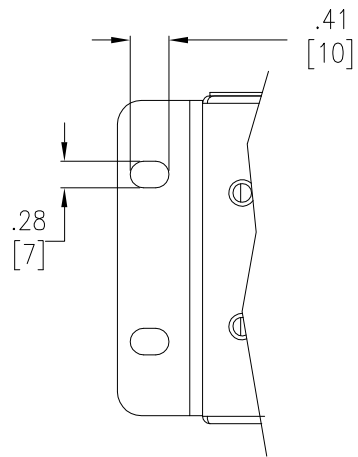


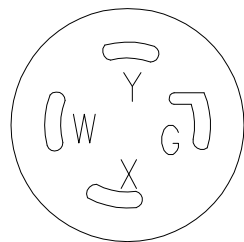
NOTES:

1. ALL DIMENSIONS ARE IN INCHES [MILLIMETERS].
2. NET WEIGHT IS 14 LBS [6.36kg]
3. BRACKET KITS TO MOUNT TO SPECIFIC COMPETITORS RACKS ARE AVAILABLE AS OPTIONS.
4. INSTALLATION MUST COMPLY WITH ALL APPLICABLE NATIONAL AND LOCAL CODES.

**RA5204-L530-30A-L143**



VIEW A (ENLARGED)

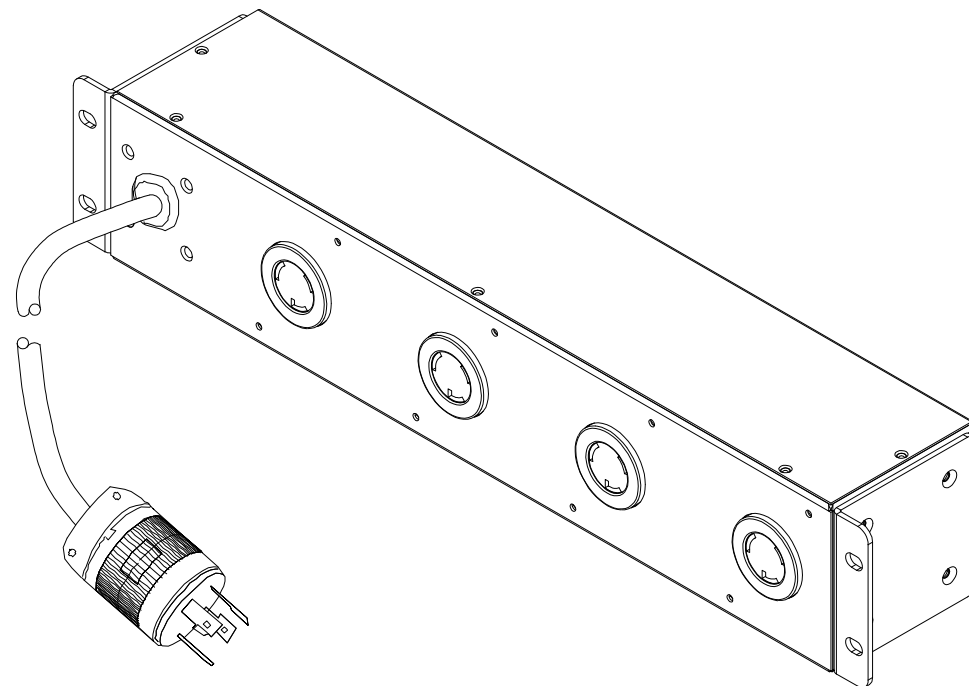


VIEW B  
(NEMA L14-30 PLUG ENLARGED)

NOTES:

1. ALL DIMENSIONS ARE IN INCHES [MILLIMETERS].
2. INSTALLATION MUST COMPLY WITH ALL APPLICABLE NATIONAL AND LOCAL CODES.

ISOMETRIC VIEW



**RA5204-L530-30A-L143**