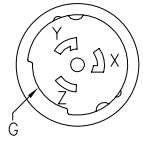


NOTES:

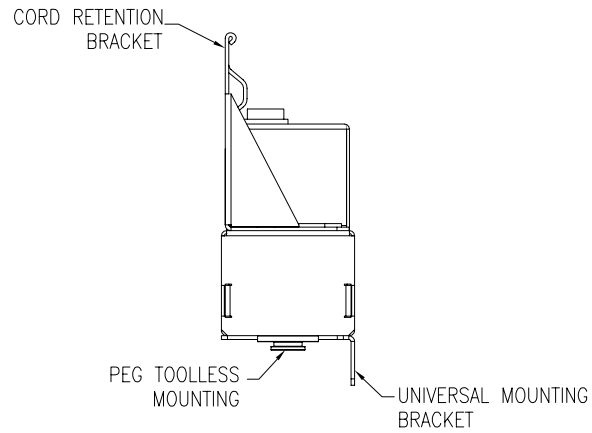
1. ALL DIMENSIONS ARE IN INCHES [MILLIMETERS].
2. NET WEIGHT IS 15.28 LBS [6.95 kg]
3. LENGTH OF THE CORD IS 36 INCHES [914 mm].
4. UNIVERSAL MOUNTING BRACKET IS AN ALTERNATIVE MOUNTING METHOD TO THE TOOLLESS MOUNT FOR NON APC RACKS.
5. BRACKET KITS TO MOUNT TO SPECIFIC COMPETITORS RACKS ARE AVAILABLE AS OPTIONS.
6. INSTALLATION MUST COMPLY WITH ALL APPLICABLE NATIONAL AND LOCAL CODES.

RAH5036-C-35A-CS

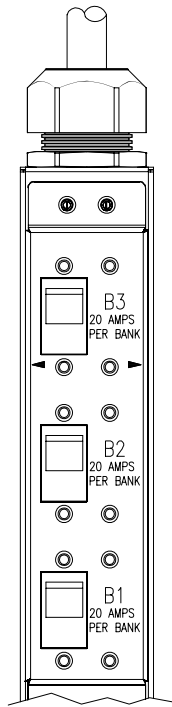
DETAILS



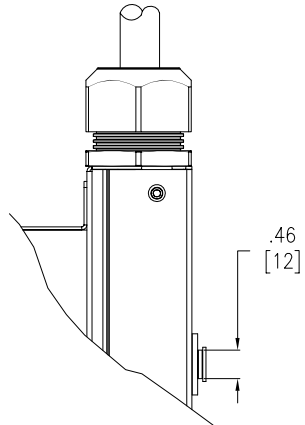
VIEW-A
(CONNECTOR FACE VIEW
CS8365C PLUG-ENLARGED)



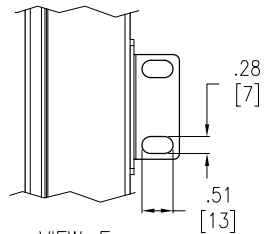
VIEW-B (ENLARGED)



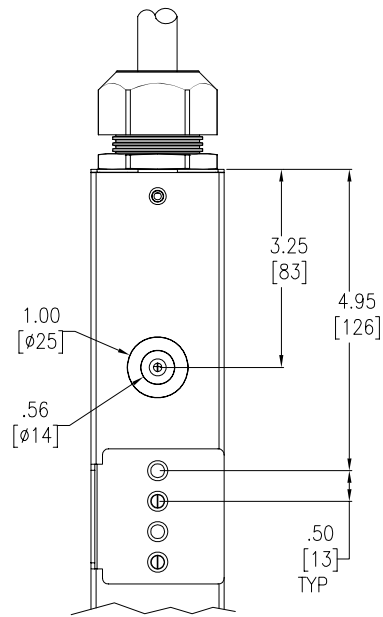
VIEW C (ENLARGED)



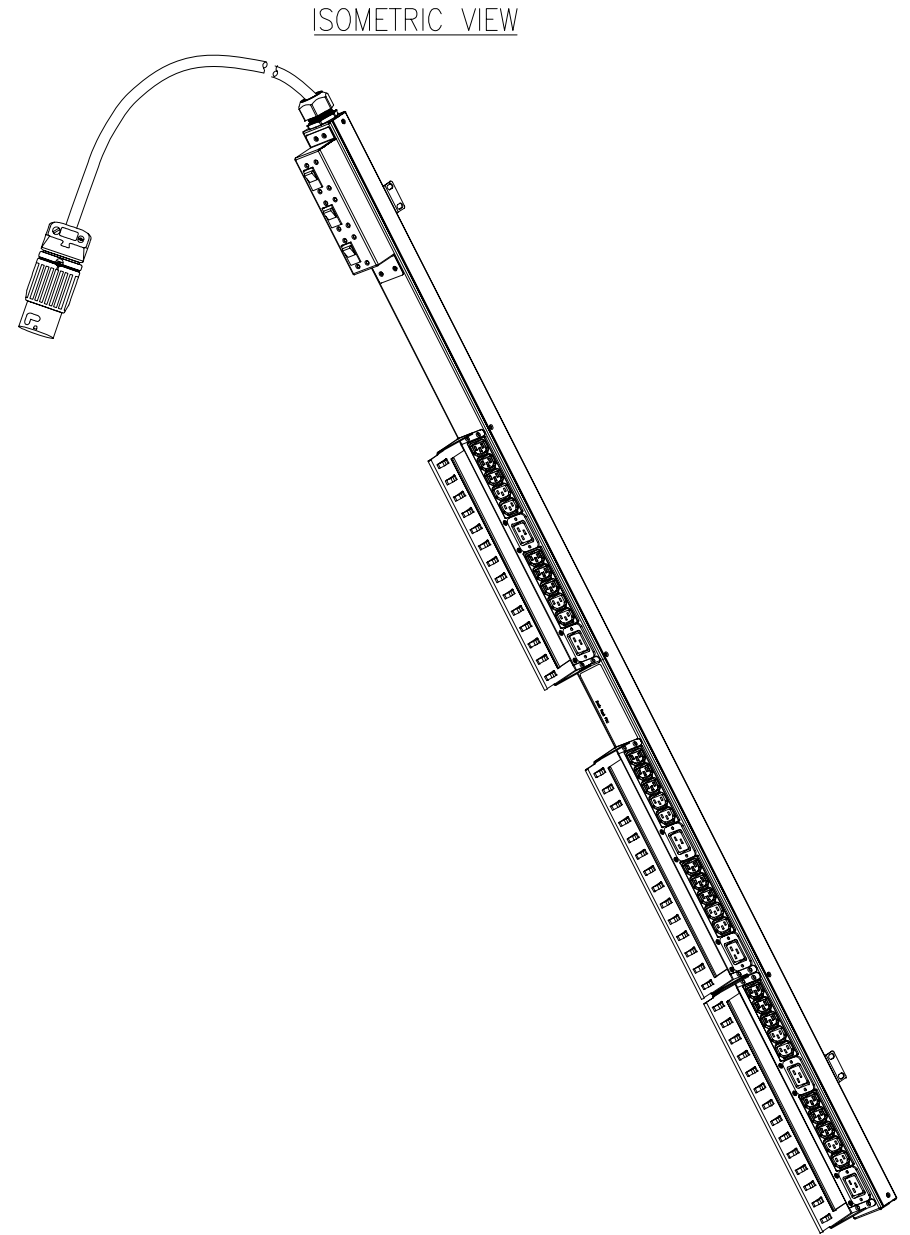
VIEW-D (ENLARGED)



VIEW-E
(MOUNTING BRACKET ENLARGED)



VIEW-F (ENLARGED)



ISOMETRIC VIEW

RA5036-C-35A-CS