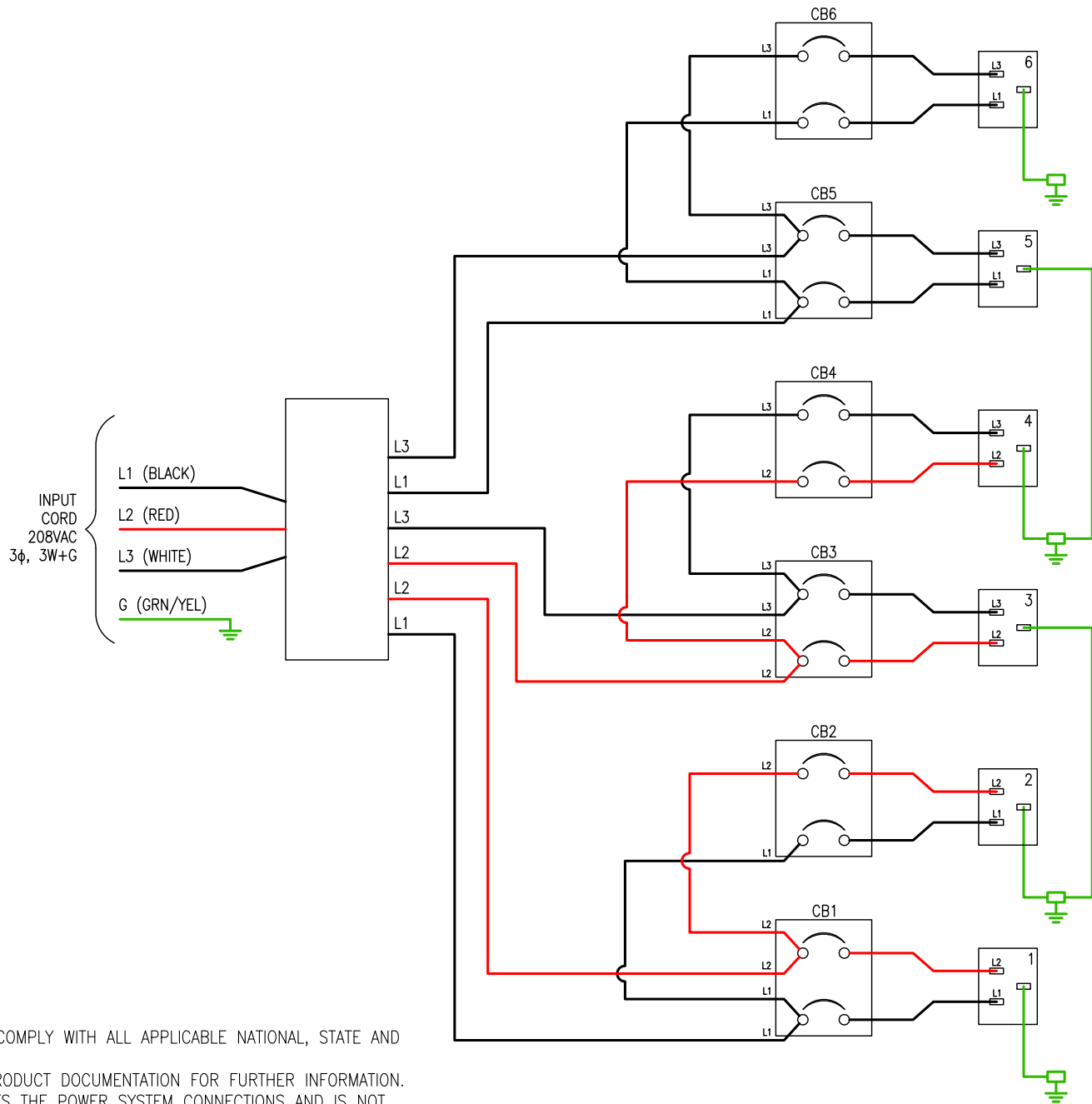


NOTES:

1. INSTALLATION SHALL COMPLY WITH ALL APPLICABLE NATIONAL, STATE AND LOCAL CODES.
2. PLEASE REFER TO PRODUCT DOCUMENTATION FOR FURTHER INFORMATION.
3. BRACKETS CAN BE MOUNTED SO THAT EITHER FACE COULD BE THE FRONT.
4. ALL DIMENSIONS ARE IN INCHES [MILLIMETERS].
5. WEIGHT OF UNIT IS 17.56 LBS [7.98 KG].
6. INPUT CORD LENGTH IS 96.0 IN [2438 MM].

RAH5106-C19-50A-CS



NOTES:

1. INSTALLATION SHALL COMPLY WITH ALL APPLICABLE NATIONAL, STATE AND LOCAL CODES.
2. PLEASE REFER TO PRODUCT DOCUMENTATION FOR FURTHER INFORMATION.
3. THIS DRAWING DEPICTS THE POWER SYSTEM CONNECTIONS AND IS NOT REPRESENTATIVE OF THE PHYSICAL LAYOUT. PLEASE REFER TO MECHANICAL DRAWINGS FOR PHYSICAL LAYOUT.
4. OUTLET 1 IS CONNECTED TO CB1.
 OUTLET 2 IS CONNECTED TO CB2.
 OUTLET 3 IS CONNECTED TO CB3.
 OUTLET 4 IS CONNECTED TO CB4.
 OUTLET 5 IS CONNECTED TO CB5.
 OUTLET 6 IS CONNECTED TO CB6.

RA5106-C19-50A-CS