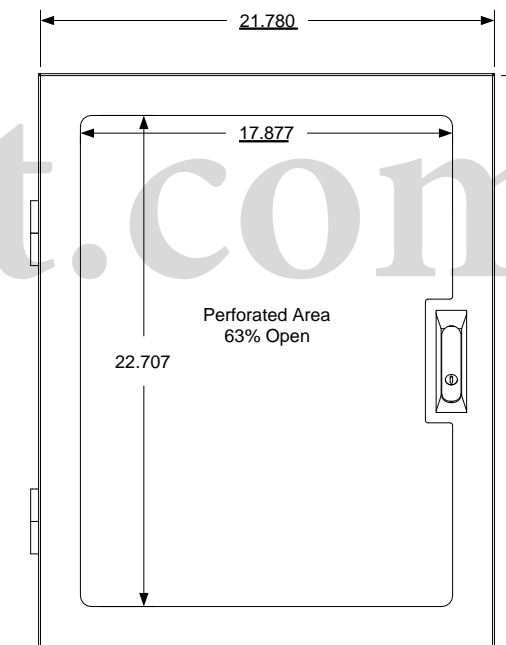
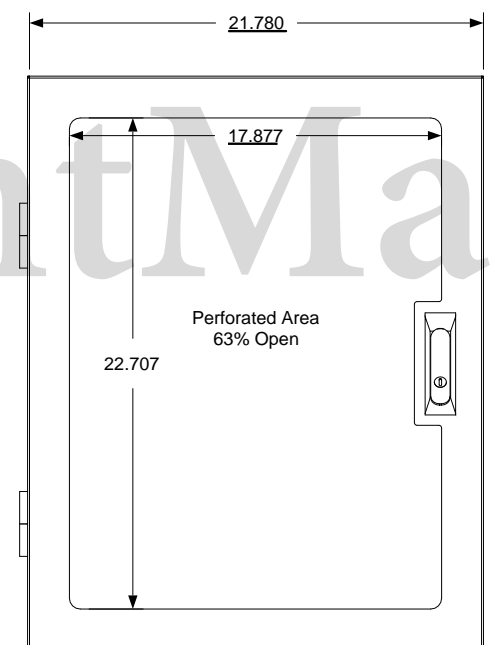
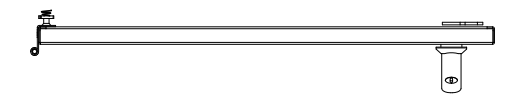
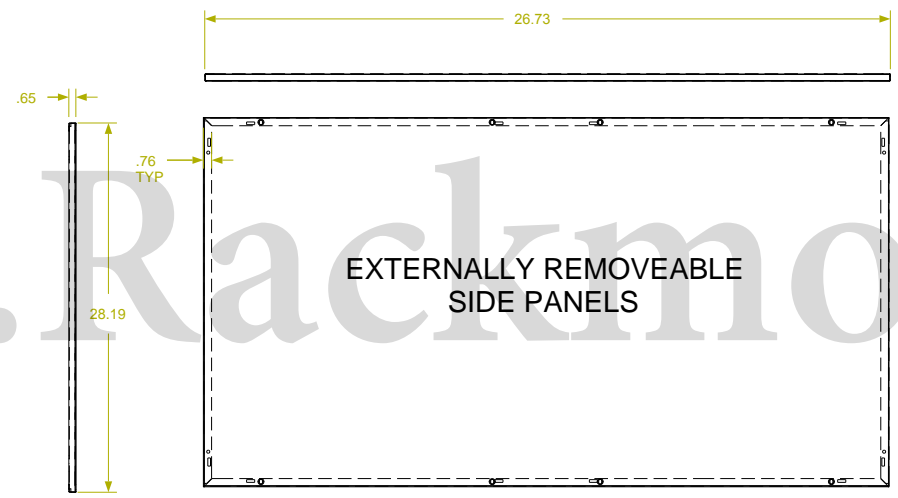
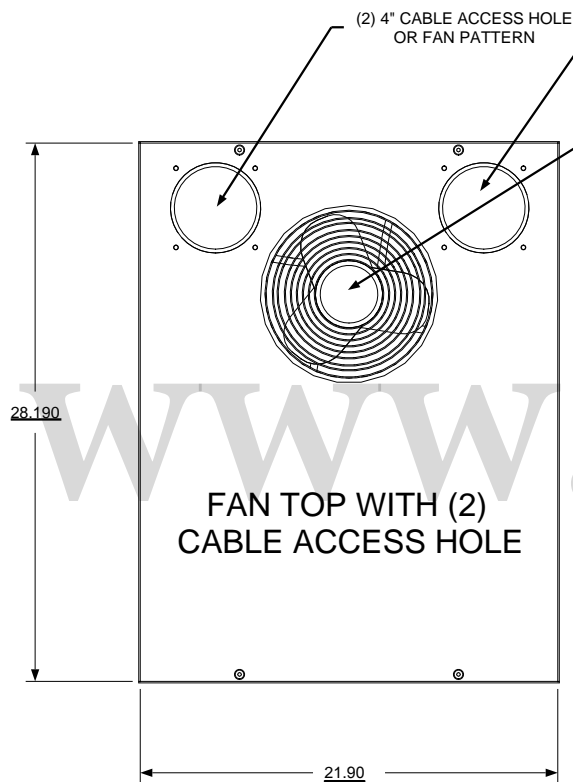


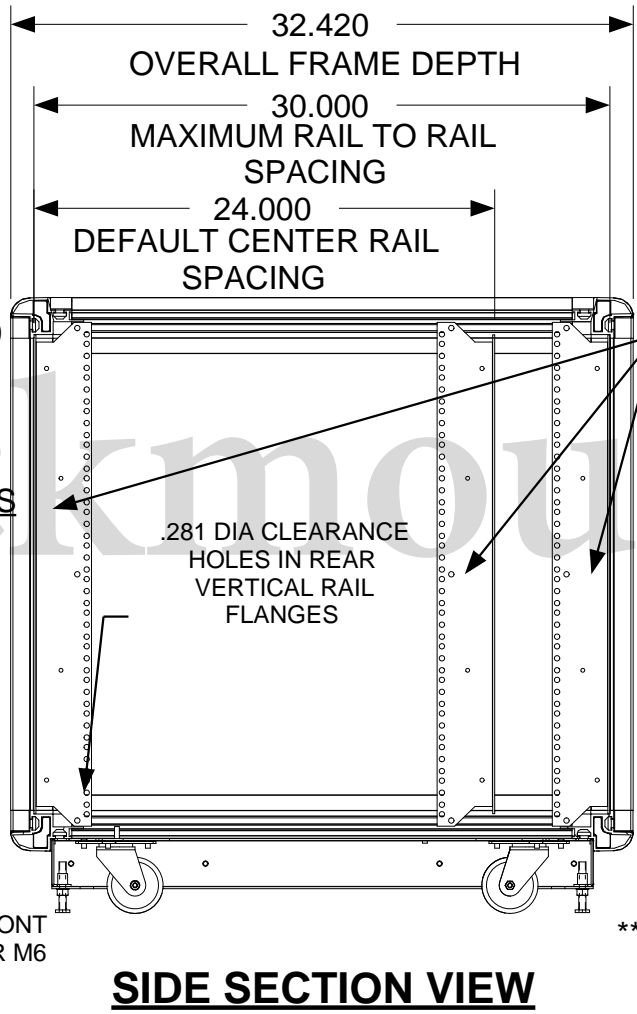
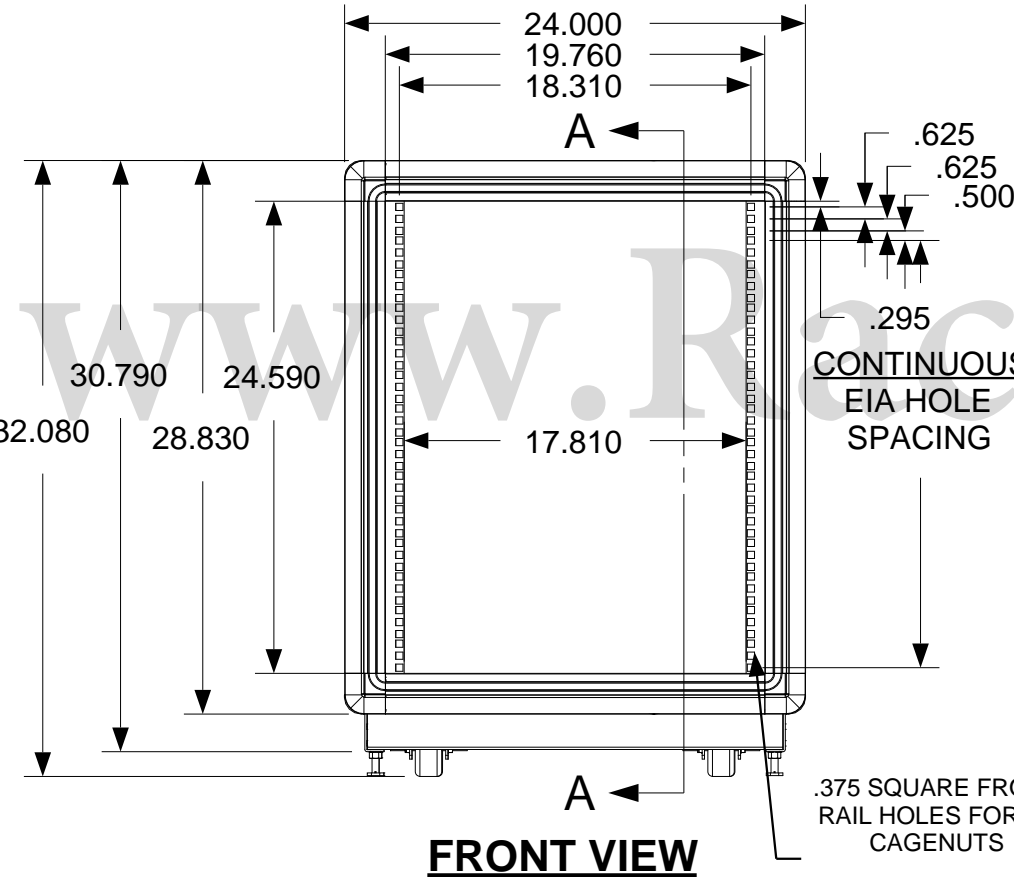
REVISION HISTORY			
REV	DESCRIPTION	DATE	APPROVED

F
E
D
C
B
A



STEEL PERFORATED REAR DOOR

STEEL PERFORATED FRONT DOOR



**SHOWN WITH SIDE PANEL REMOVED



PART NAME
14U X 30" DEEP; 19" RACKMOUNT EXTRUDED ALUMINUM FRAME CABINET

DATE 3/1/16	PART # SY242030P	REV
----------------	---------------------	-----

9 8 7 6 5 4 3 2 1

9 8 7 6 5 4 3 2 1