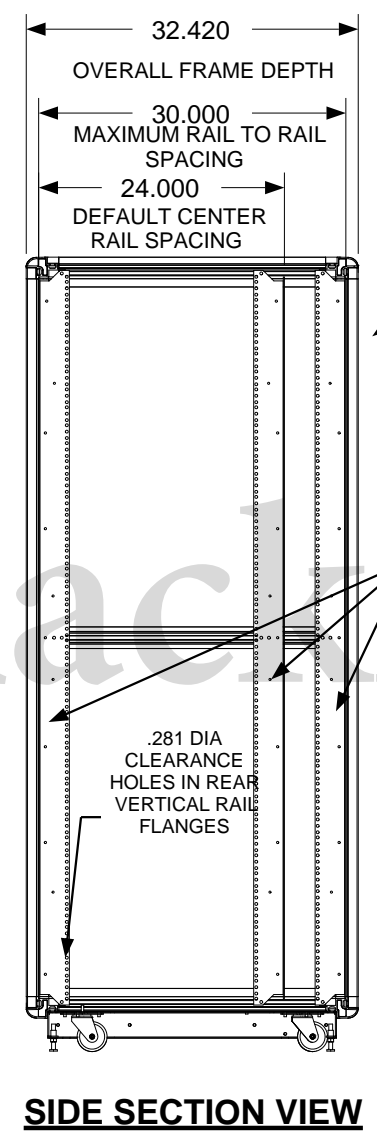
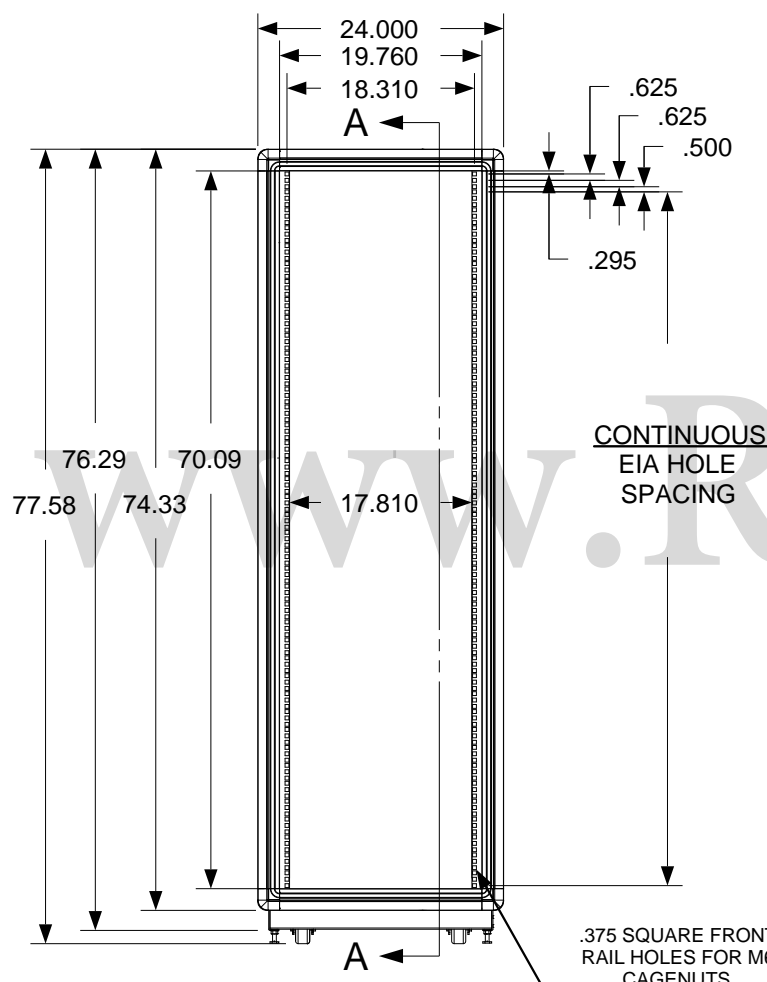
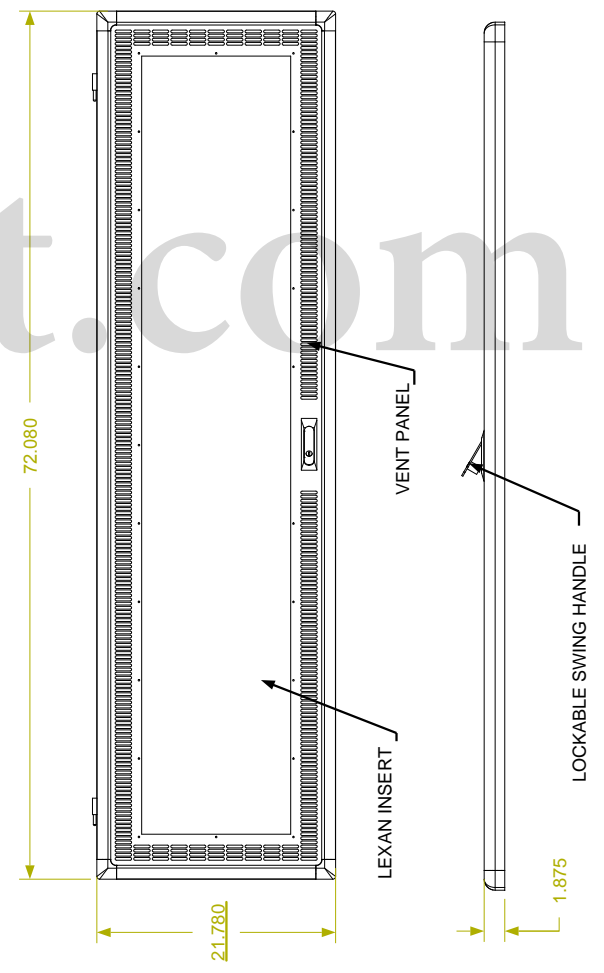
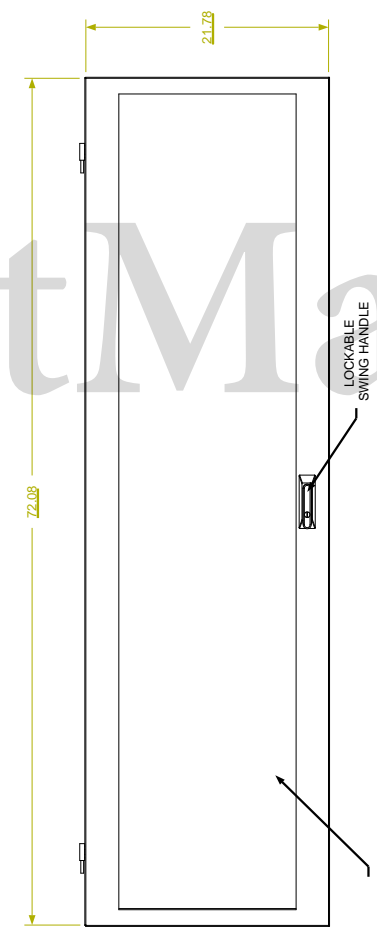
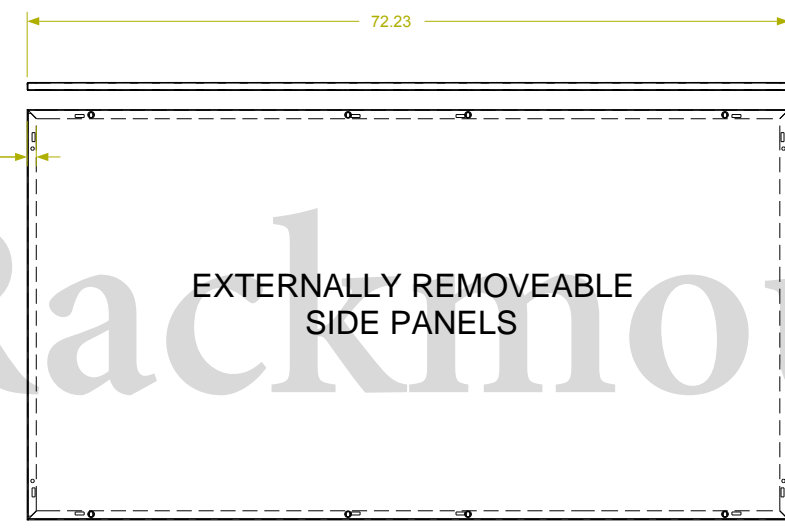
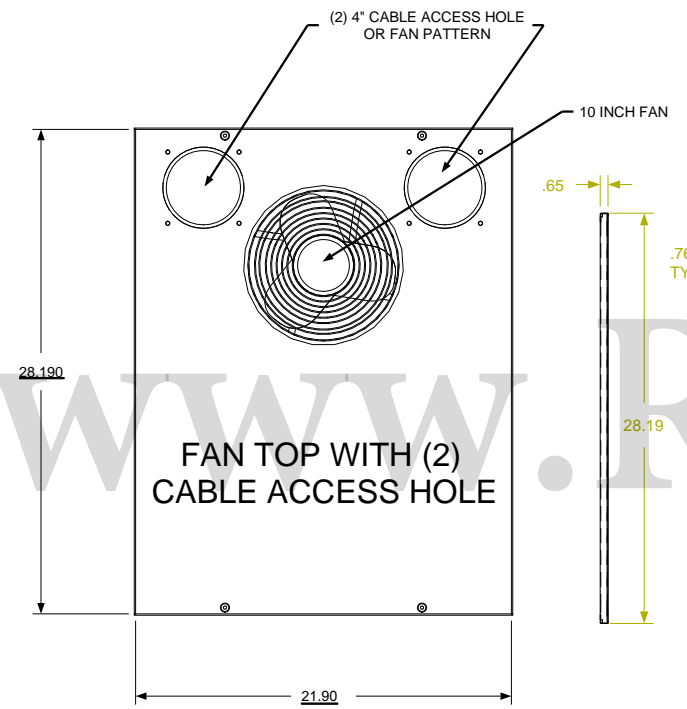


9 8 7 6 5 4 3 2 1

REVISION HISTORY			
REV	DESCRIPTION	DATE	APPROVED

F
E
D
C
B
A

F
E
D
C
B
A



ALUMINUM EXTRUDED FRAME

FULLY ADJUSTABLE VERTICAL MOUNTING RAILS (3 PAIR)

**SHOWN WITH SIDE PANEL REMOVED

Synergy Global Technology Inc
www.RackmountMart.com

PART NAME
40U X 30" DEEP; 19" RACKMOUNT EXTRUDED ALUMINUM FRAME CABINET

DATE	PART #	REV
3/1/16	SY702030A	

APPROVED BY:

9 8 7 6 5 4 3 2 1