

CAT5 KVM Switch

**Stand Alone & Modular CAT5 KVM Switch
User Manual**

Rev 2.0

Table of Contents

Table of Contents	I
1. Introduction	1
1.1 Features	1
1.2 Package Contents	3
1.3 Technical Specifications	4
1.4 System Requirements	8
1.5 Cable Diagrams	9
1.6 Rear Panel.....	10
2. Hardware Installation	13
2.1 Rack Mount Installation	13
2.2 Computer / Server Installation	15
2.3 Console Installation.....	17
2.4 Optional Remote Console Installation	17
2.4.1 IP Module.....	17
2.4.2 CAT5 Module.....	18
2.5 Power ON.....	19
2.6 When video signal is foggy or unclear.....	19
2.7 Daisy Chain Connection.....	20
3 Usage.....	22
3.1 Buttons (Stand Alone KVM Switch Only)	22
3.2 Front Panel PC Port LED Indication (Stand Alone KVM Switch Only).....	22
3.3 BANK 7-seg LED (Stand Alone KVM Switch Only).....	23
3.4 Hot Plug	23
4 Hotkey	24
5 OSD (On Screen Display)	26
5.1 Login Window	27
5.2 Port Name	28
5.3 Main Menu	29
5.3.1 LANGUAGE.....	29
5.3.2 PORT NAME EDIT	30
5.3.3 PORT SEARCH.....	31
5.3.4 USER SECURITY	31
5.3.5 ACCESS LIST	32
5.3.6 HOTKEY.....	33
5.3.7 TIME SETTINGS	34

5.3.8	OSD MOUSE	34
6.	Troubleshooting	36
7.	Certifications	37

1. Introduction

The CAT5 KVM switch series can control attaching servers and computers from local or remote console. This KVM switch is loaded with features such as **one local console port, plus one optional CAT5-based remote console port or one optional IP-based remote console Port**, On Screen Display (OSD) Menu, Password security, Hot key Control, Push Button and Auto Scan Control. It has complete keyboard and mouse emulation for simultaneous PCs boot-up process.

With the CAT5-based remote console port you can you remotely control servers and computers 1000 feet away. In other words, you can locate your monitor, keyboard and mouse up to 1000 feet away from the KVM switch. The built-in CAT5 transmitter synthesizes VGA monitor and keyboard/mouse signals, and transmit the signals to the remote CAT5 receiver over the popular LAN CAT5 cable.

With the IP-based remote console port you can control one or many computers locally at the server site or remotely via the Internet using a standard browser. You can securely gain BIOS level access to systems for maintenance, support, or failure recovery over the Internet. Communication is secure via SSL encryption.

1.1 Features

- 8/16/32 ports CAT5 KVM switch (32 ports only for modular CAT5 KVM switch)
- Support full CAT5 interface on all computer ports for reducing KVM cable bulk
- Support one local console or plus optional one remote console (CAT5 or IP)
- CAT5 console up to 1000 feet away from KVM switch with superior **auto-adjust** RGB gain/delay control capability
- Support Microsoft Windows, Netware, Unix, and Linux
- Support iMAC, Power MAC and Sun Micro Systems with USB port
- No Software Required - easy PC selection via On Screen Display (OSD) Menu, Push Buttons, Hotkeys

- Provide various Hotkey (Scroll-Lock/ Cap-Lock/ Num-Lock/ Alt/ Ctrl/ Win) for switching computer port and other control functions, so Hotkey function can be used in various types of keyboards, and to avoid Hotkey duplicate problem
- Provide ACL (Access Control List) security function. Store up to 8 independent user accounts
- Hot Plug --- add or remove connected computers without powering off the KVM switch or computers
- Support two layers password security protection and search PC server name
- Plug-n-Play monitor support
- Keyboard status restored when switching computers
- Support Daisy Chain function with both Bus (8-layer) and Tree (2-layer) topologies

1.2 Package Contents

Stand Alone CAT5 KVM Switch:

KVM Switch Unit	1 PCS
User's Manual CD-ROM	1 PCS
Quick Setting Guide	1 PCS
12V DC Power Adapter	1 PCS
Rack Mount Kit	1 SET
Daisy Chain Cable (0.9 M)	1 PCS
T-Dongle	2 PCS
USB Adapter	1 PCS

Table 1-1. Package Contents

Modular CAT5 KVM Switch:

KVM Switch Unit	1 PCS
Quick Installation Guide	1 PCS
LCD Console Mount Kit	1 SET

Table 1-2. Package Contents

1.3 Technical Specifications

8 / 16 Ports Stand Alone CAT5 KVM Switch:

Feature	Specification
KVM Type	8 / 16 ports stand alone CAT5 KVM switch
PC Port Connector	RJ-45
PC Ports	8 / 16
Max. Distance (KVM switch -- Host)	40 m (133 feet)
Video Resolution (Local Console)	1600 x 1200 DDC2B
Video Resolution (Remote Console)	1600 x 1200 for CAT5-Based 500 feet remote console (R-Box), 1028 x 1024 for CAT5-Based 1000 feet remote console.(R-Box Enhanced). 1600 x 1200 for IP-Based remote console
Console Ports	1 Local USB Console, plus 1 Optional Modules: CAT5-Based or IP-Based Remote Console
CAT5 Combo Dongle	3-to-1 CAT5 combo transmitter dongle. Combine three cables (keyboard, mouse and VGA) into one CAT5 cable before connecting to KVM switch. Support PS/2 and USB cable in the same dongle.
CAT5-Based Remote Console	RJ-45 Connector CAT5 console up to 1000 feet away from KVM switch with superior auto-adjust RGB gain/delay control capability
IP-Based Remote Module	RJ-45 8P8C for 10/100M Ethernet DB9 male for Modem, Null modem and serial power control Mini USB 2.0 receptacle
Daisy Chaining	Support Daisy Chaining with both Bus (8-layer) and Tree (2-layer) topologies, DB15 Female Connector
Maximum connected computers	120 / 128

PC selection	On Screen Display (OSD) Menu, Hot Key, Push Button
Hotkey	Provide various Hotkey (Scroll-Lock/ Cap-Lock/ Num-Lock/ Alt/ Ctrl/ Win)
PC Port LEDs	2x LEDs per PC port: Power (Blue), Online (Green)
7-seg LED for Bank display	1 set
Security	Provide ACL (Access Control List) security function, store up to 8 independent controllable PC lists
Multilingual OSD (On Screen Display) control	8 languages (English, France, German, Spanish, Italian, Russian, Japanese, Simplified Chinese)
Auto-Scan Intervals	5 ~ 99 Sec.
Keyboard Emulation	PS/2 or USB
Mouse Emulation	PS/2 or USB
Housing	Metal
Power	DC power adapter : DC 12V
Operation Temperature	0 ~ 50°C
Storage Temperature	-20 ~ 60°C
Humidity	0~95%, Non-Condensing
Mechanical	19" Rack mount / 1U
Dimension	442 x 140 x 44 mm / 17.4 x 5.5 x 1.7 inches
Net Weight	3.0 Kg / 6.6 lbs

Table 1-3. Stand Alone CAT5 KVM Switch Technical Specifications

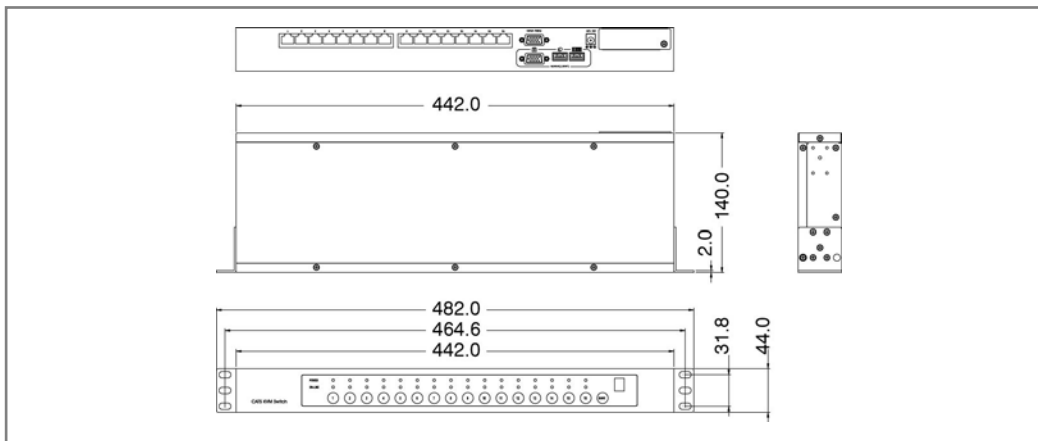


Figure 1-1. Stand Alone CAT5 KVM Switch Dimensions

8 / 16 / 32 Ports Modular CAT5 KVM Switch:

Feature	Specification
KVM Type	8 / 16 / 32 ports modular CAT5 KVM switch
PC Port Connector	RJ-45
PC Ports	8 / 16 / 32
Max. Distance (KVM switch -- Host)	40 m (133 feet)
Video Resolution (Local Console)	By LCD console panel video resolution Maximum up to 1600 x 1200 DDC2B
Video Resolution (Remote Console)	1600 x 1200 for CAT5-Based 500 feet remote console (R-Box), 1028 x 1024 for CAT5-Based 1000 feet remote console.(R-Box Enhanced). 1600 x 1200 for IP-Based remote console
Console Ports	1 Local USB Console, plus 1 Optional Modules: CAT5-Based or IP-Based Remote Console
CAT5 Combo Dongle	3-to-1 CAT5 combo transmitter dongle. Combine three cables (keyboard, mouse and VGA) into one CAT5 cable before connecting to KVM switch. Support PS/2 and USB cable in the same dongle.
CAT5-Based Remote Console	RJ-45 Connector CAT5 console up to 1000 feet away from KVM switch with superior auto-adjust RGB gain/delay control capability
IP-Based Remote Module	RJ-45 8P8C for 10/100M Ethernet DB9 male for Modem, Null modem and serial power control Mini USB 2.0 receptacle
Daisy Chaining	Support Daisy Chaining with both Bus (8-layer) and Tree (2-layer) topologies, DB15 Female Connector
Maximum connected computers	120 / 128 / 144
PC selection	On Screen Display (OSD) Menu, Hot Key

Hotkey	Provide various Hotkey (Scroll-Lock/ Cap-Lock/ Num-Lock/ Alt/ Ctrl/ Win)
Security	Provide ACL (Access Control List) security function, store up to 8 independent controllable PC lists
Multilingual OSD (On Screen Display) control	8 languages (English, France, German, Spanish, Italian, Russian, Japanese, Simplified Chinese)
Auto-Scan Intervals	5 ~ 99 Sec.
Keyboard Emulation	PS/2 or USB
Mouse Emulation	PS/2 or USB
Housing	Metal
Power	DC power adapter : DC 12V
Operation Temperature	0 ~ 50°C
Storage Temperature	-20 ~ 60°C
Humidity	0~95%, Non-Condensing
Mechanical	For modular LCD console use / 1U
Dimension	420 x 170 x 44 mm / 16.5 x 6.7 x 1.7 inches
Net Weight	2.0 Kg / 4.4 lbs

Table 1-4. Modular CAT5 KVM Switch Technical Specifications

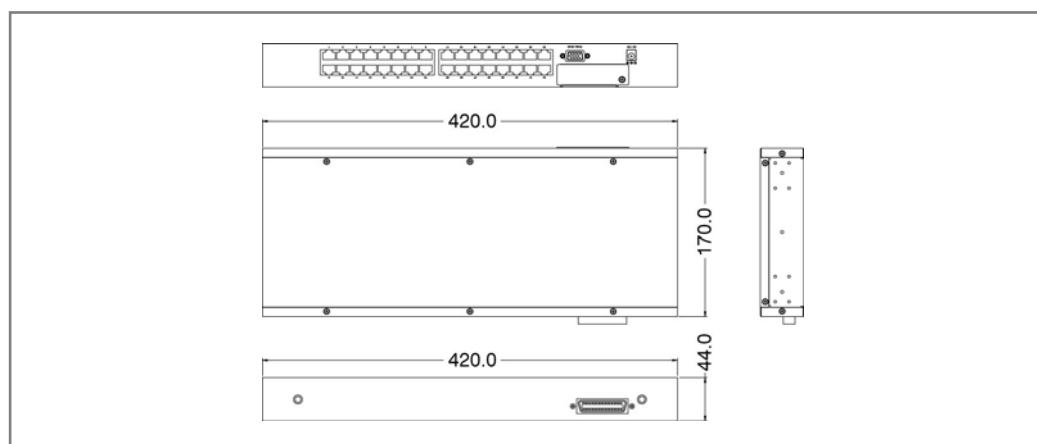


Figure 1-2. Modular CAT5 KVM Switch Dimensions

1.4 System Requirements

8 / 16 Ports Stand Alone CAT5 KVM Switch:

CAT5 KVM Host side	T-dongle – CAT5 transmitter
Local Console side (USB console)	<ul style="list-style-type: none"> ■ One VGA Monitor ■ One USB Keyboard ■ One USB Mouse
IP module	<ul style="list-style-type: none"> ■ One CAT5 cable ■ Network access environment
CAT5 module	<ul style="list-style-type: none"> ■ One CAT5 cable ■ R-Box (CAT5 KVM extender receiver) ■ One VGA Monitor ■ One USB Keyboard ■ One USB Mouse ■ Optional PC

Table 1-5. System Requirements

8 / 16 / 32 Ports Modular CAT5 KVM Switch:

CAT5 KVM Host side	T-dongle – CAT5 transmitter
IP module	<ul style="list-style-type: none"> ■ One CAT5 cable ■ Network access environment
CAT5 module	<ul style="list-style-type: none"> ■ One CAT5 cable ■ R-Box (CAT5 KVM extender receiver) ■ One VGA Monitor ■ One USB Keyboard ■ One USB Mouse ■ Optional PC

Table 1-6. System Requirements

1.5 Cable Diagrams

3-in-1 CAT5 Transmitter (T-Dongle)

HDDDB15 male to one HDDDB15 male and two mini din 6-pin special cables

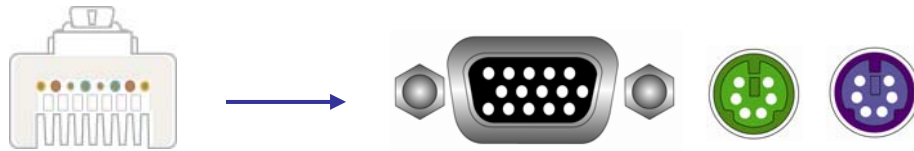


Figure 1-3. 3-in-1 Cat5 Transmitter (T-Dongle)

PS/2 Keyboard to USB Adapter

PS/2 keyboard to USB keyboard and mouse due HID adapter



Figure 1-4. PS/2 Keyboard to USB Adapter

Daisy Chain Cable:

HDDB-15 pin Male to Male

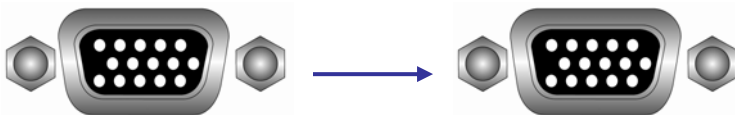
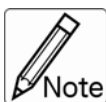


Figure 1-5. Daisy Chain Cable



Daisy chain needs the cable all 15 lines connected. This is a special VGA cable, normal VGA cable has unconnected lines. **Do not use other VGA cable for daisy chain.**

CAT5/5E/6 Straight Through UTP/STP Cable



Pin	Wire Color	Pair	Function
1	White/Orange	2	T
2	Orange	2	R
3	White/Green	3	T
4	Blue	1	R
5	White/Blue	1	T
6	Green	3	R
7	White/Brown	4	T
8	Brown	4	R

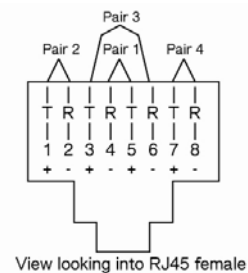


Figure 1-6. CAT5/5E/6 Straight Through UTP/STP Cable (8P8C)

1.6 Rear Panel

8 Ports Stand Alone CAT5 KVM Switch:



16 Ports Stand Alone CAT5 KVM Switch:



8 Ports Stand Alone CAT5 KVM Switch with IP Module:



16 Ports Stand Alone CAT5 KVM Switch with IP Module:



8 Ports Stand Alone CAT5 KVM Switch with CAT5 Module:



16 Ports Stand Alone CAT5 KVM Switch with CAT5 Module:



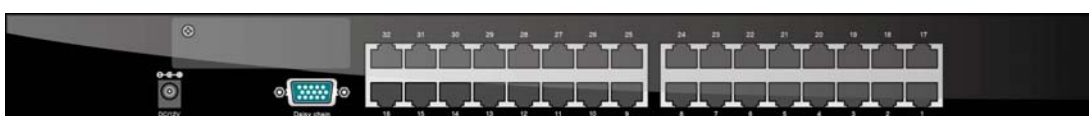
8 Ports Modular CAT5 KVM Switch:



16 Ports Modular CAT5 KVM Switch:



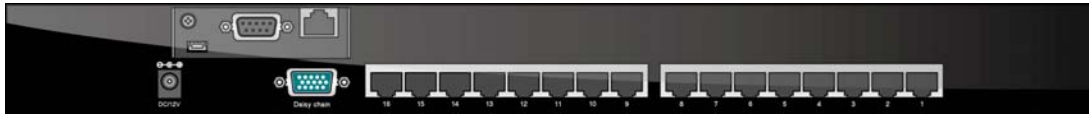
32 Ports Modular CAT5 KVM Switch:



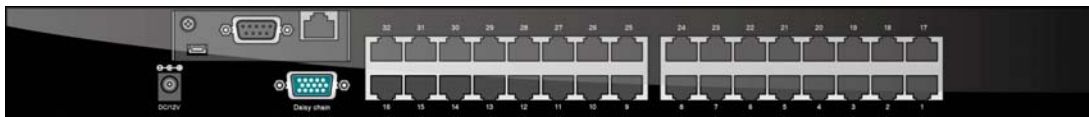
8 Ports Modular CAT5 KVM Switch with IP Module:



16 Ports Modular CAT5 KVM Switch with IP Module:



32 Ports Modular CAT5 KVM Switch with IP Module:



8 Ports Modular CAT5 KVM Switch with CAT5 Module:



16 Ports Modular CAT5 KVM Switch with CAT5 Module:



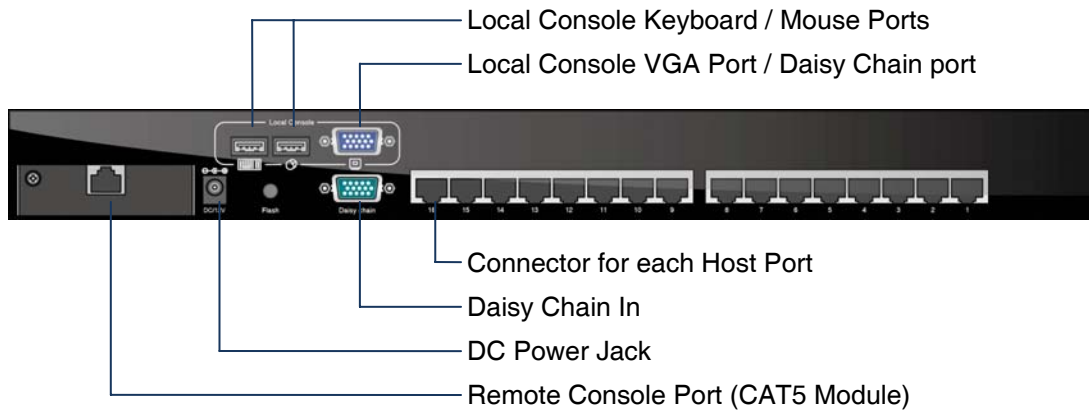
32 Ports Modular CAT5 KVM Switch with CAT5 Module:



Figure 1-7. Rear Panel

The CAT5 KVM switch is designed as one control two views, both local console and remote console can access and view the same computer port, but only one console control at a time. These two consoles are operating on first come first served basis. If the controlling console does not have keyboard or mouse activity for 2 seconds, the other console may take over the control right.

16 Ports Stand Alone CAT5 KVM Switch with CAT5 Module:



32 Ports Modular CAT5 KVM Switch with CAT5 Module:

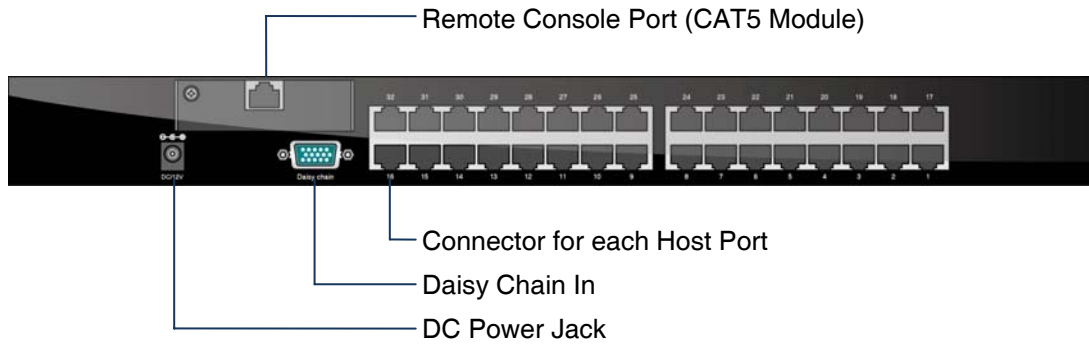


Figure 1-8. Rear Panel

2. Hardware Installation

Before installation, please make sure all of peripherals and computers have been turned off.

2.1 Rack Mount Installation

Stand Alone KVM Switch:

Find a convenient place to put your KVM Switch. The 19" rack mount form factor makes it ideally mountable on a 19" rack. When mounting to a rack, attach the included brackets to the sides of the KVM Switch. Take note of the length of your cables so that your computers, KVM Switch, keyboard, mouse and monitor are distanced properly.

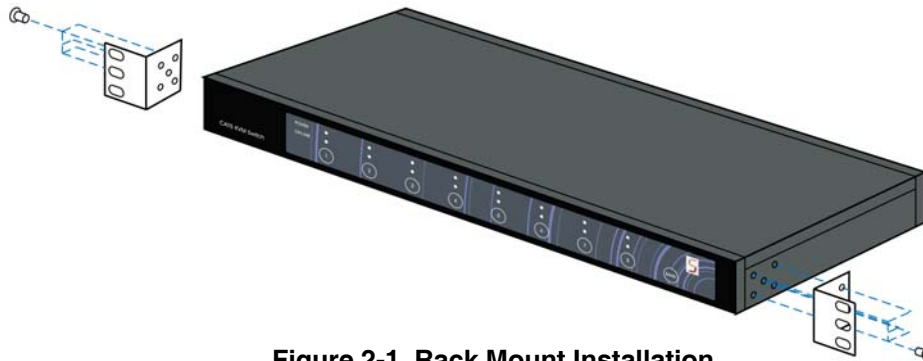


Figure 2-1. Rack Mount Installation

Modular KVM Switch:

Please open the package carefully and take out all required accessories to prepare fluent installation. The modular KVM switch is for modular design LCD console use, please install the brackets with thumb screw. Please measure the suitable distance between KVM switch and computer, keyboard, monitor and mouse before installation.

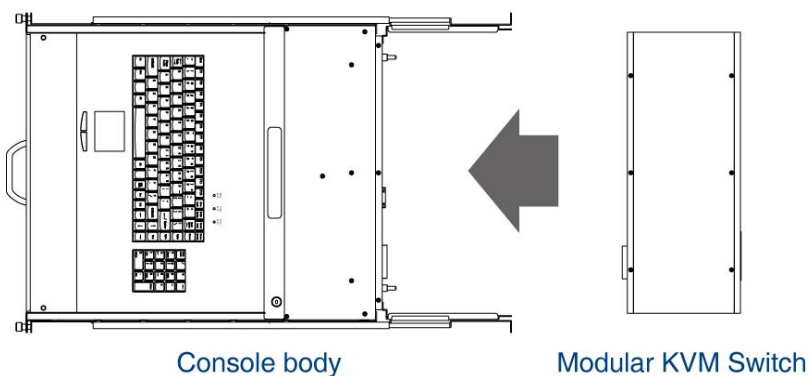
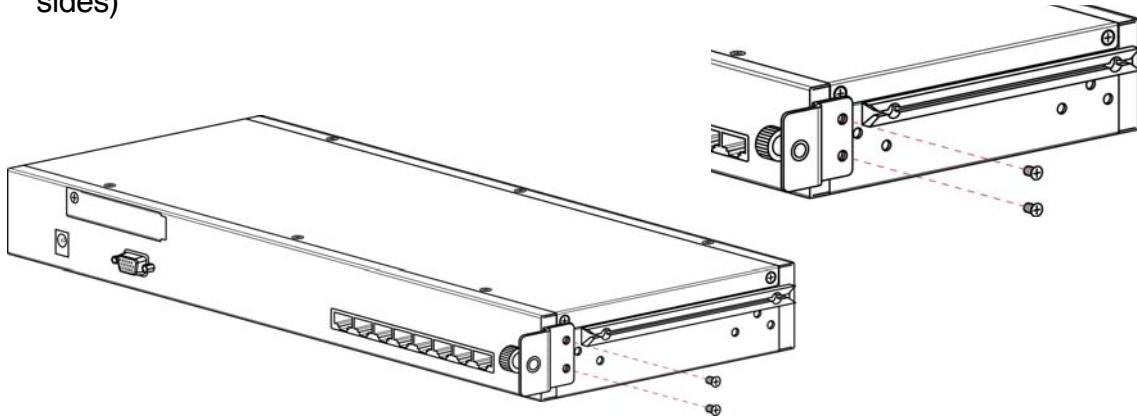


Figure 2-2. Modular KVM Switch Usage Diagram

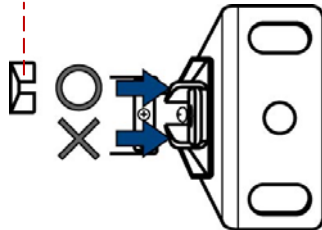
Install Modular KVM Switch Steps:

1. Install two screws (length = 6 mm) to combine bracket and KVM switch. (Both sides)

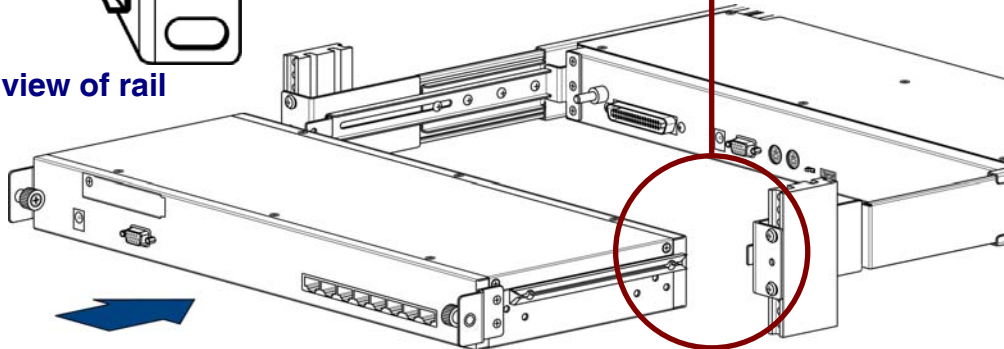


2. Push KVM switch into the rails from rear of console.

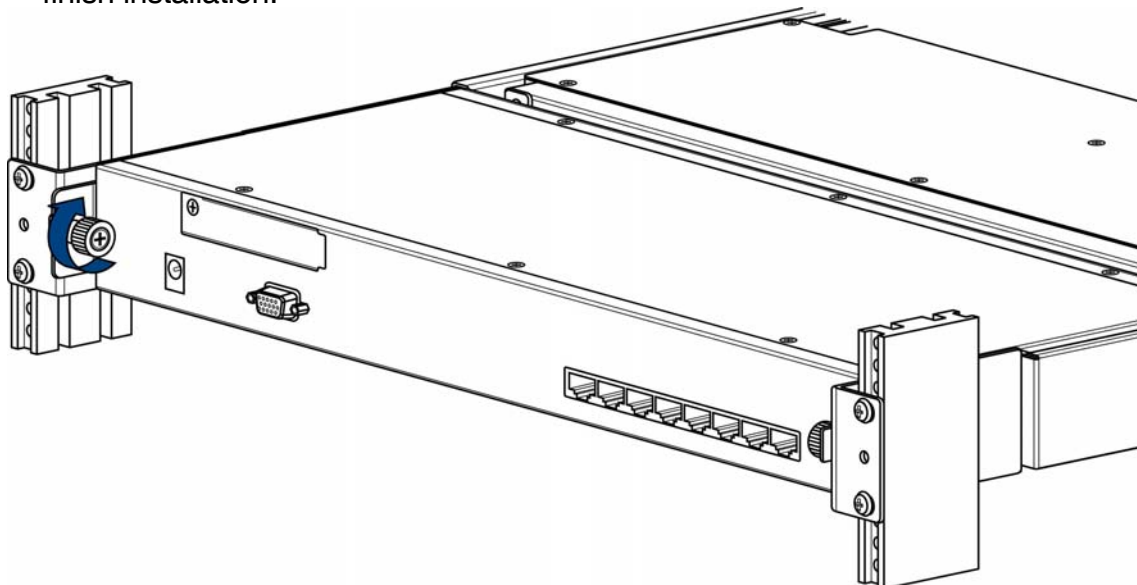
Plastic rail of KVM switch



Rear view of rail

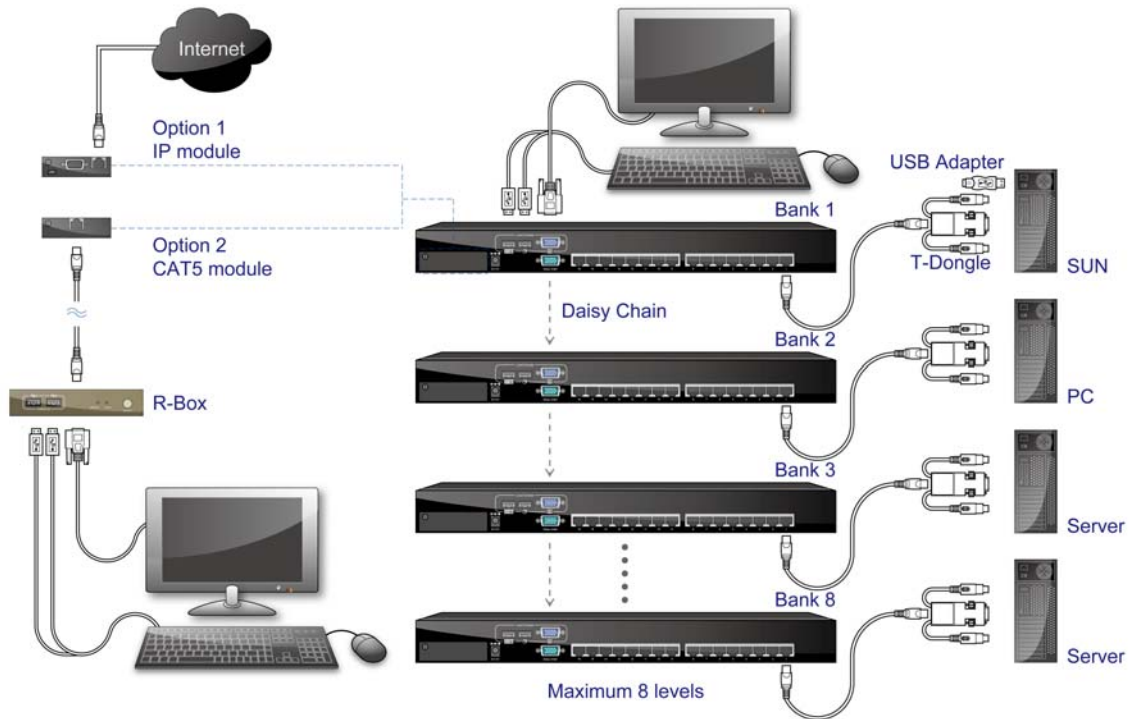


3. Tight thumb screw of bracket up to fix KVM switch in console (Both sides) and finish installation.



2.2 Computer / Server Installation

Stand Alone KVM Switch:



Modular KVM Switch:

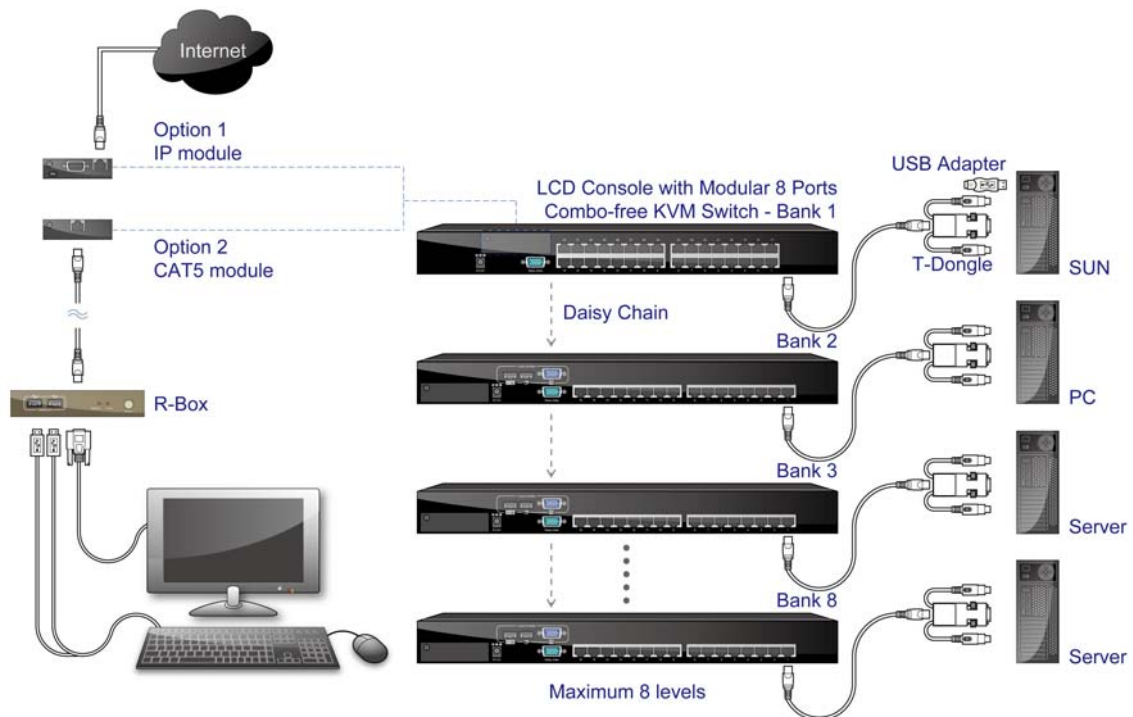


Figure 2-3. Computer / Server Installation

CAT5 Transmitter (T-Dongle) Installation

Each Host port connector is RJ45 type. Use CAT5 cable to connect CAT5 Transmitter (T-Dongle). T-dongle has four connectors and an USB to PS/2 adaptor.

1. A RJ45 connector for connecting CAT5 cable to KVM switch.
2. A HDDB15 male connector for PC/Server video VGA port
3. A purple mini din 6-pin type a plug for keyboard, or with a PS/2 to USB adaptor for both USB keyboard and mouse.
4. A green mini din 6-pin type for mouse port, no use for USB computer.

Plug all these connectors into the respective ports of computer. Repeat the same procedure for all other computers.

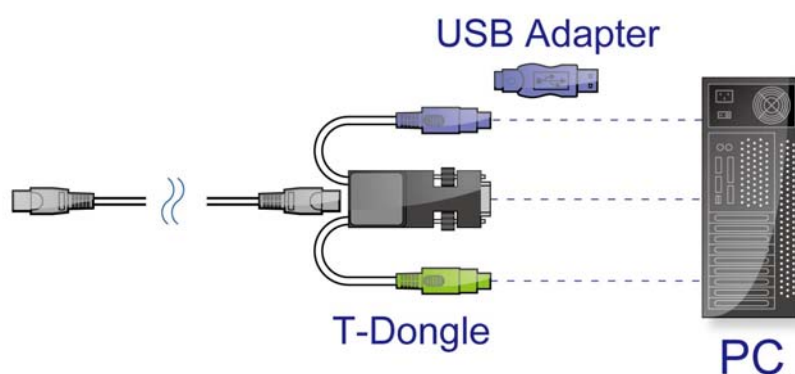
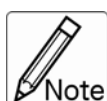


Figure 2-4. PS/2 T-dongle and PS/2 to USB adapter



It is recommended to power off all the computers and server before the installation. If we can not turn off the computer, for PS/2 computer, please plug in T-dongle connectors in the following order: firstly PS/2 mouse connector, secondly PS/2 keyboard connector, thirdly the VGA connector to the PC.

2.3 Console Installation

Local Console (Stand Alone KVM Switch Only)

Connect the monitor to the HDB15 female port on the back of the KVM unit labeled with the monitor symbol at the Local Console connector.

There may be USB local console or PS/2 local console. For USB local console, connect the USB keyboard to either one of USB local port and USB mouse to the other USB port. These USB ports are special designed for keyboard and mouse, and can not work with USB hub or other USB devices. For PS/2 local console, connect keyboard to purple PS/2 port and mouse to green PS/2 mouse port. There is a Daisy chain port under VGA ports.

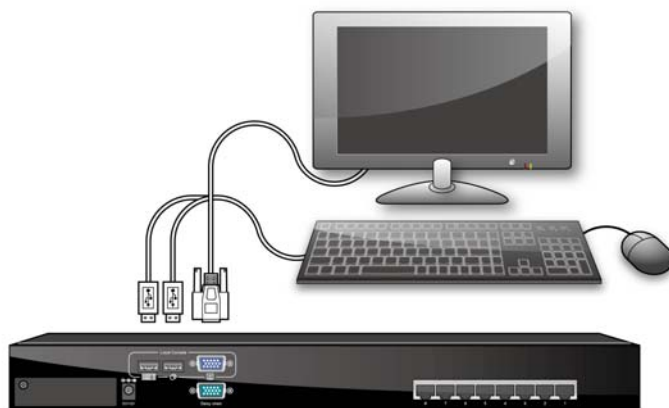


Figure 2-5. Local Console Installation

2.4 Optional Remote Console Installation

2.4.1 IP Module

Please refer to “IP Module User Manual” for details.

IP Remote Console

Installation: Power off the KVM switch firstly. Remove the cover of the add-on slot, slide in the IP Module and make sure the module is fully inserted into the slot.

The IP Module redirects local keyboard, mouse and video data to a remote administration console. It allows you to control one or many computers locally at the server site or remotely via the Internet using a standard browser.



Figure 2-6. IP-Module

Serial Power Control

The IP Module comes with a serial port for connecting to any serial device, such as serial PDU to provide remote power control, such as power on, power off, and power cycle for the connected computers/servers.

2.4.2 CAT5 Module

CAT5 Remote Console

Installation: Power off the KVM switch firstly. Remove the cover of the add-on slot, slide in the CAT5 transmitter module and make sure the module is fully inserted into the slot.

To extending your console up to 1000 feet away by connecting the CAT5 cable to the R-Box in the remote end.

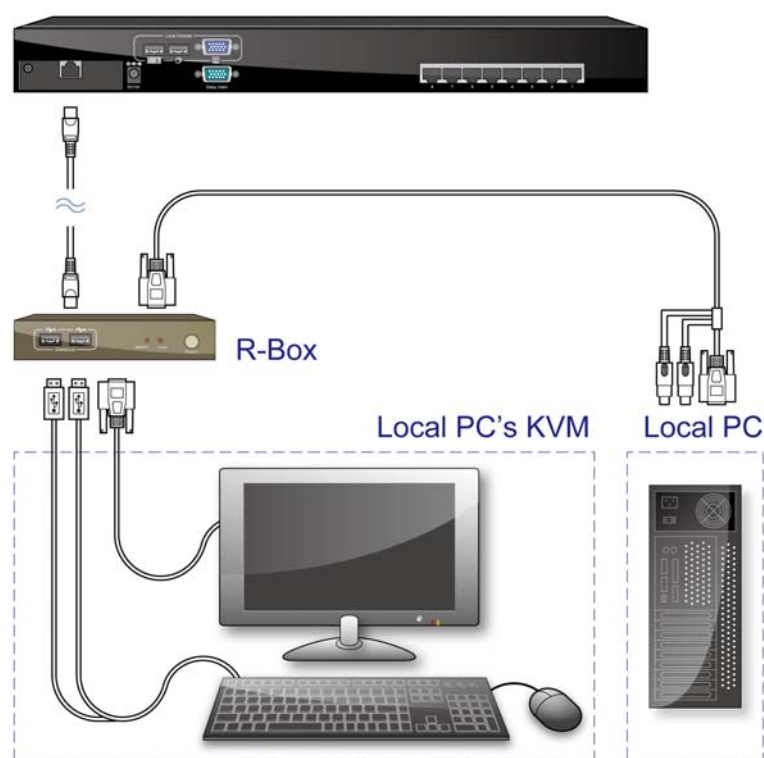


Figure 2-7. Connect to CAT5 Receiver (R-Box)

2.5 Power ON

Check connections and plug in power supply

Double check whether all cables/connectors are properly connected. You can check the color of keyboard and mouse connector to make sure the keyboard and mouse cables go to the correct ports.

Plug the power supply to the KVM switch and plug the AC power plug into the electrical receptacle. Now you will see the LED of Port 1 (Stand alone KVM switch only) lights up, and hear a beep sound.

Recommend Power ON sequence as follows: Monitor, KVM Switch, finally Computer.

2.6 When video signal is foggy or unclear

The R-Box (CAT5 Receiver) enables user to access to the computer, server, or KVM switch up to 1000 feet (300 meters) away with superior auto-adjust RGB gain/delay control capability

CAT5 cables has CAT5, CAT5e, CAT6 and STP/UTP types; If your application need high VGA resolution and long distance please select high end cables. It is highly recommended to use optimal CAT5 cable length to get the best video quality and not waste unnecessary CAT5 cable.

2.7 Daisy Chain Connection

Use one end of daisy chain cable to connect to the **Daisy Chain Port** of Master KVM switch and connect the other end of daisy chain cable to the **Local Console Port** of the next Slave KVM switch. Please repeat the connection procedures for next Slave KVM switch. You can daisy chain up to eight banks in maximum.

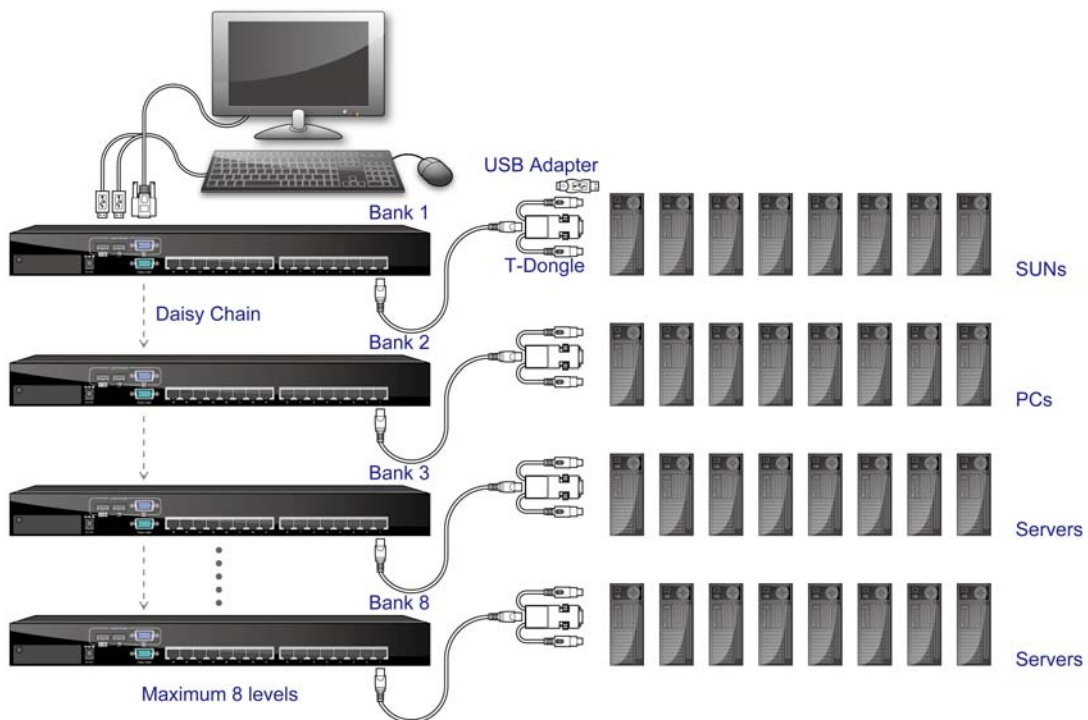


Figure 2-8. Stand Alone KVM Switch Daisy Chain Connection

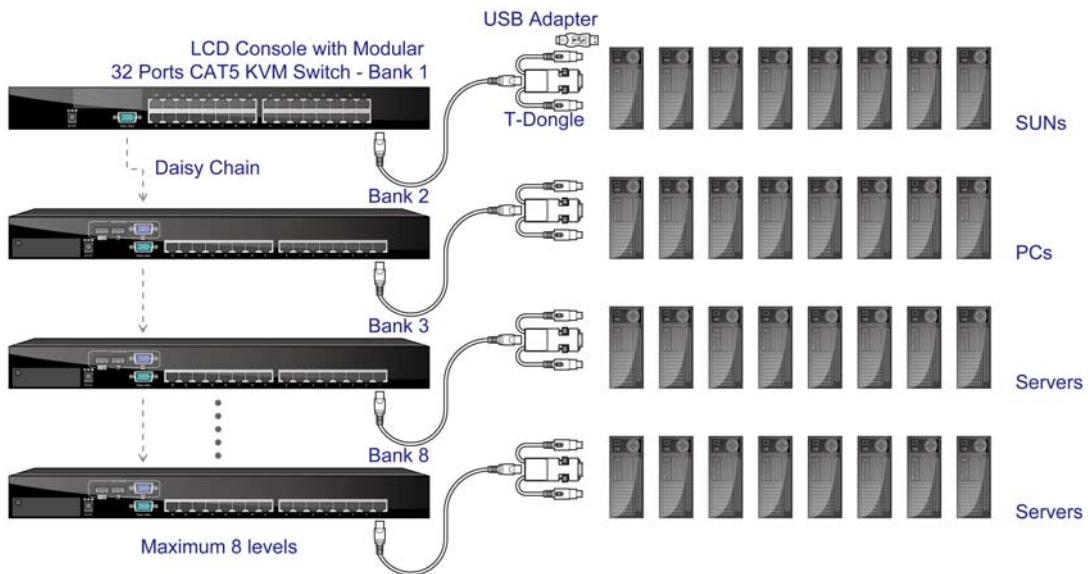


Figure 2-9. Modular KVM Switch Daisy Chain Connection

The console OSD menu will show only the port information of the master KVM switch. When the master unit starts up, it will query all daisy chained Slave units, and automatically set up the Bank ID for each Slave unit. For stand alone KVM switch, the 7-seg LED on the Master unit will display 1, Slave 1 will display 2, Slave 2 will display 3, and so on. If not so, please **reset** (press “BANK” and port button) the Master unit to update the Bank ID immediately. Hot Plug function is supported in daisy chain connection. The Master unit will auto-query the daisy chained Slaves every 30 seconds.

3 Usage

When you power on KVM switch, it will prompt a Login window waiting for user name and password. Please refer to “Hotkeys and OSD manual” for details.

3.1 Buttons (Stand Alone KVM Switch Only)

The push Buttons 1~16  :

You can simply switch to a port by pressing the corresponding button. For 16 ports KVM Switch, please press button 1 ~ 16 directly to select the port you want.

After power on the KVM switch, all of console ports (Local or Remote consoles) will be linked to Computer port 1.

3.2 Front Panel PC Port LED Indication (Stand Alone KVM Switch Only)

8 Ports



16 Ports



Figure 3-1. Front Panel PC Port LED Indication

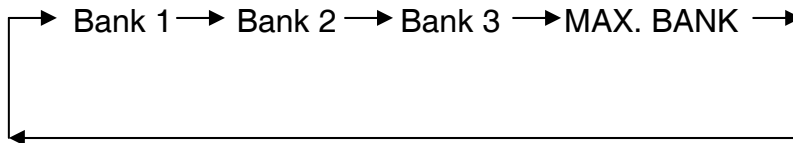
There are two LEDs for each port:

- “P” power: the **Green** LED on indicating a Computer is connecting to the port. Notice the PC99 Computer always power on the PS/2 ports even if the Computer is not power on, so the Green LED will turn on.
- “O” online: the **Red** LED on indicating the port has been selecting. The Red LED flashing if there is no Computer connected to the port.
- Press “BANK” button and the port button simultaneously will reset the KVM switch.

3.3 BANK 7-seg LED (Stand Alone KVM Switch Only)

7-Segment BANK LED Indication :

When you want to view the next bank KVM switch, please press “BANK” push button repeatedly to the destination bank. The bank LED will be changed from bank 1 to the maximum daisy chain level and then to bank 1 again.



3.4 Hot Plug

The KVM Switch supports “Hot Plug” function for any non-PS/2 connectors. You may Hot Plug the USB mouse or USB keyboard as you like.



- DO NOT hot plug PS/2 port.
- Some O.S. (Operation Systems) like SCO Unix or Linux does not support “Hot Plug” function. If you apply “Hot Plug” to this kind of O.S., it will cause unpredictable behavior or shut down the Computer. Before attempting to use “Hot Plug”, please make sure your O.S. and mouse software driver support the “Hot Plug” function.

4 Hotkey

You can also conveniently command KVM switch by switching ports through simple key sequences. The default hot key is **SCROLL LOCK** and the user could change hot key as your convenient application. If you prefer to use some hot key, please go to OSD menu and change the default hot key to the other. To send commands to KVM switch, the **SCROLL LOCK** key must be pressed twice within 2 seconds. You will hear a beep for confirmation and the keyboard is in Hotkey mode. Then you have to enter **Command** in 2 seconds. If you have not pressed any key during Hotkey mode over 2 seconds the Hotkey mode will be escaped and back to Operation System control state.

A Command should be issued in Hotkey mode in 2 seconds.

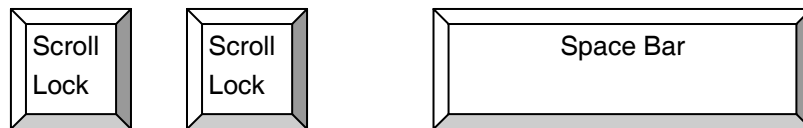


Figure 4-1. Hotkey

Command	Function
Space bar	Active OSD
↑	Previous Channel
↓	Next Channel
[1,2,...,8] bank, [01,02,...,16] port	First digit bank number start with 1 Second and third digits port number start with "01"
PgUp	Previous bank
PgDn	Next bank
"B"	Turn on / off beeper
"S"	Auto Scan
"U"	Console Security "ON" to "OFF"
"P"	User logout / login
"R"	OSD setting back to factory default value
"L"	Turn on / off power saving

Table 4-1. Hotkey

Example: hitting Scroll Lock twice then hitting key 1, key 0, and key 1 will switch to bank 1 port 01. The first port is local at bottom right at the back panel.

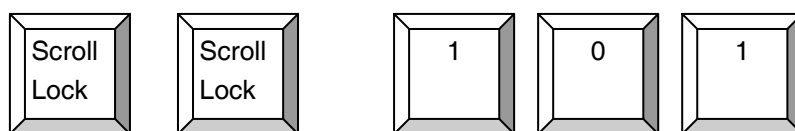


Figure 4-1. Hotkey Example

There are two methods to activate the OSD menu.

1. Activate OSD by Mouse

Hold the left mouse button press and release the Esc key will activate the Port Display. Hold the right mouse button press and release the Esc key will activate the OSD.

2. Active OSD by press Hotkey twice then press Space bar.

5 OSD (On Screen Display)

On Screen Display Menu provides a menu driven interface to handle a Multilingual Menu, Access Security, Computers switching process, to name a PC name or server name, to set up the password/window display time and to search PC port name if you don't remember it.

It allows two console users to access the same PC and only one of users has been linked to this PC first, another user can only view the same PC.

This OSD Menu has 3 tiers dialog window:

1. **Login Window** --- When powering on this KVM switch, it will prompt a login window and ask for user name and password. This KVM system can setup one SUPERVISOR and eight USERS. Before not setting up administrator user's name and his password, none of administrator users could access OSD menu. When you login with Supervisor, please go to USER SECURITY to set up one new SUPERVISOR or USERS. SUPERVISOR can access all Main menu options. USER can access PORT NAME and PORT SEARCH for switching.
2. **Port Name**--- port switching using OSD
3. **Main Menu**--- 8 menus to operate this KVM switch

MAIN MENU	Function
01 LANGUAGE	OSD language change
02 PORT NAME EDIT	PORT NAME modification
03 PORT SEARCH	quick searching by port name
04 USER SECURITY	Change password
05 ACCESS LIST	Define user access authority
06 HOT KEY	Change Hotkeys
07 TIME SETTINGS	Modify SCAN time interval
08 OSD MOUSE	Modify OSD MOUSE speed

Table 5-1. OSD Main Menu

5.1 Login Window

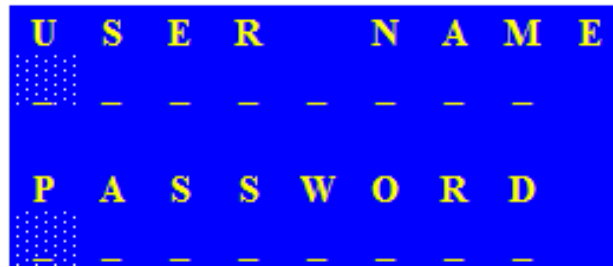


Figure 5-1. Login Window

Turn on local console monitor and power on by plug in the power adapter, there will be login window at screen. No input for username and password over 1 minute at login windows the monitor's signal will be turn off. The default SUPERVISOR user name is all eight zero digits "00000000"..

The password is all eight zero digits "00000000" . . .

After login on or port switch either by panel button, OSD or Hotkey, the screen will display the following information, one digit BANK NUMBER, two digit PORT NUMBER, PORT NAME and current Hotkey, any input or mouse move the screen will back to PC.



Figure 5-2. Login Window

Security Logout

No input for username and password over 1 minute at login windows the console monitor's signal will be turn off.

At normal operation, no input from console keyboard or mouse over 10 minutes the KVM switch will turn off the screen display then go to Login Windows ask for user name and password.

5.2 Port Name

P O R T N A M E			
B A N K : 1			
0 1 ●	S Y S T E M	0 1	F 1 : M E N U
0 2 ●	S Y S T E M	0 2	F 2 : L O G O U T
0 3 ●	S Y S T E M	0 3	F 3 : P R E V
0 4 ●	S Y S T E M	0 4	E S C : Q U I T
0 5 ●	S Y S T E M	0 5	E N T E R : C O M P L E T E
0 6 ●	S Y S T E M	0 6	↑ / ↓ : S E L E C T
0 7 ●	S Y S T E M	0 7	P a U p / P a D n :
0 8 ●	S Y S T E M	0 8	B A N K S E L E C T
			U S E R :
			S U P E R V I S O R
			S C A N T I M E :
			I O S E C

Figure 5-3. Port Name

OSD Function Key	Description
F1	Go to Main Menu
F2	CONSOLE OFF
F3	Previous Menu
Enter	Switch to Selected Port
↑ / ↓	Move Select
PgUp	Previous Bank
PgDn	Next bank
Esc	Quit
1	Show port 01 ~ 08
2	Show port 09 ~ 16
3	Show port 17 ~ 24
4	Show port 25 ~ 32

Table 5-2. OSD Function Key

CONSOLE OFF – logout so the next person needs to enter user name and password in order to do operation on this KVM system

USER: There are two type of user SUPERVISOR and USER. SUPERVISOR can setup the change the OSD settings at Main Menu. USER can do Port switch and Port Search only.

5.3 Main Menu



Figure 5-4. Main Menu

OSD Function Key	Description
Enter	Select
↑ / ↓	Move
F1	Go to Main Menu
F2	Console off
F3	Back
Esc	Exit

Table 5-3. OSD Function Key

5.3.1 LANGUAGE

The default language is ENGLISH. Moving the cursor by keyboard -- Up Arrow key “↑” or the Down Arrow key “↓” or mouse to select language as you need.



Figure 5-5. Language

5.3.2 PORT NAME EDIT

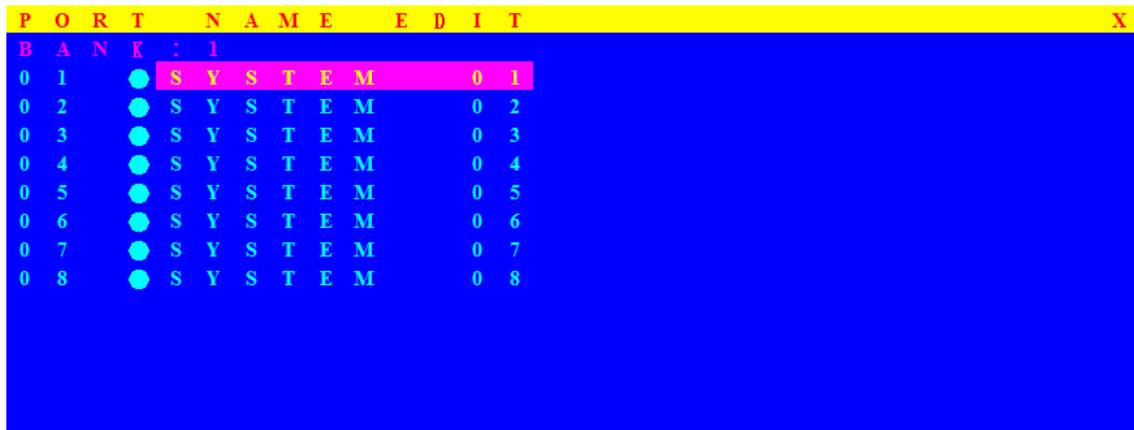


Figure 5-6. Port Name Edit

OSD Function Key	Description
Enter	Port Name Edit
↑ / ↓	Move
F1	Go to Main Menu
F2	Console off
F3	Back
Esc	Exit
1	Show port 01 ~ 08
2	Show port 09 ~ 16
3	Show port 17 ~ 24
4	Show port 25 ~ 32

Table 5-4. OSD Function Key

The first line bar is Bank number, following lines are port name list.

Use Up Arrow key “↑”, Down Arrow key “↓” or OSD MOUSE to move. After you have selected the PC port already, you can either press the Enter” ← “Key, or Move the cursor to PC name double clicks the left button of mouse to switch the PC port immediately. Press PgUp key or PgDn key for selecting previous or next Bank.

Press the Up Arrow key “↑” or the Down Arrow key”↓” to select “system 02 “ and press Enter”← ” key to switch current PC port to PC port 2, or moving cursor to SYSTEM 02 and double clicks the left button of mouse to switch current PC port to PC port 2.

Press “ **Ins**” key or click the right button of mouse for editing PC name.
 Press “ **Esc**” key to cancel editing PC name without any change or Enter” ↵ ” key to complete the new PC name.

5.3.3 PORT SEARCH

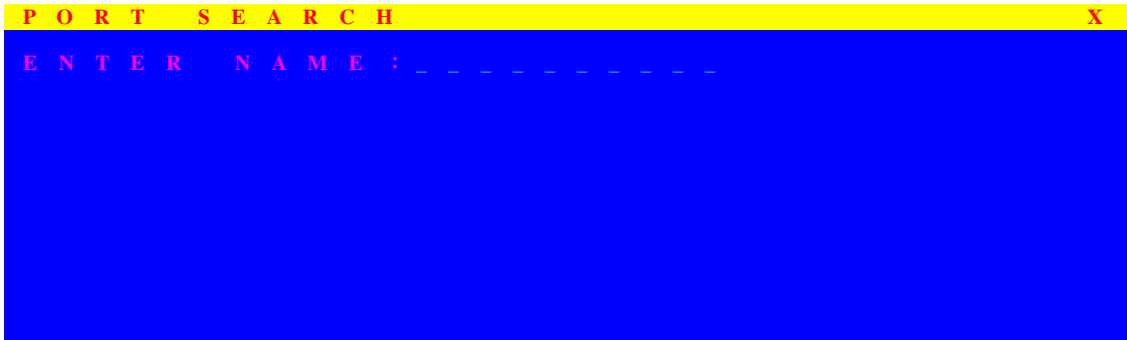


Figure 5-7. Port Search

OSD Function Key	Description
Enter	Start Port Search
F1	Go to Main Menu
F2	Console off
F3	Back
Esc	Exit

Table 5-5. OSD Function Key

Search the computer by port name. Enter “*” will show the all the port.

5.3.4 USER SECURITY

At USER SECURITY of OSD can setup one SUPERVISOR and eight ADMINISTRATORS all with 8 digits name and password.

U S E R S E C U R I T Y														X
	N A M E							P A S S W O R D						
S	-	-	-	-	-	-	-	-	-	-	-	-	-	
1	-	-	-	-	-	-	-	-	-	-	-	-	-	
2	-	-	-	-	-	-	-	-	-	-	-	-	-	
3	-	-	-	-	-	-	-	-	-	-	-	-	-	
4	-	-	-	-	-	-	-	-	-	-	-	-	-	
5	-	-	-	-	-	-	-	-	-	-	-	-	-	
6	-	-	-	-	-	-	-	-	-	-	-	-	-	
7	-	-	-	-	-	-	-	-	-	-	-	-	-	
8	-	-	-	-	-	-	-	-	-	-	-	-	-	

Figure 5-8. User Security

OSD Function Key	Description
Enter	Enter user name
→ ↑ ← ↓	Move
F1	Go to Main Menu
F2	Console off
F3	Back
Esc	Exit

Table 5-6. OSD Function Key

Press “ENTER” key to get USERS list. The left column “S” means SUPERVISOR and “1”, “2”, “3”,..., “8” mean ADMINISTRATOR. The maximum NAME is eight characters maximum (A~Z and 0~9) and PASSWORD is eight characters maximum (A~Z and 0~9).

5.3.5 ACCESS LIST

A C C E S S L I S T														X	
B A N K	:	I						1	2	3	4	5	6	7	8
0	1	●	S	Y	S	T	E	M	0	1	0	0	0	0	0
0	2	●	S	Y	S	T	E	M	0	2	0	0	0	0	0
0	3	●	S	Y	S	T	E	M	0	3	0	0	0	0	0
0	4	●	S	Y	S	T	E	M	0	4	0	0	0	0	0
0	5	●	S	Y	S	T	E	M	0	5	0	0	0	0	0
0	6	●	S	Y	S	T	E	M	0	6	0	0	0	0	0
0	7	●	S	Y	S	T	E	M	0	7	0	0	0	0	0
0	8	●	S	Y	S	T	E	M	0	8	0	0	0	0	0
0	9	●	S	Y	S	T	E	M	0	9	0	0	0	0	0
1	0	●	S	Y	S	T	E	M	1	0	0	0	0	0	0
1	1	●	S	Y	S	T	E	M	1	1	0	0	0	0	0
1	2	●	S	Y	S	T	E	M	1	2	0	0	0	0	0
1	3	●	S	Y	S	T	E	M	1	3	0	0	0	0	0

Figure 5-9. Access List

OSD Function Key	Description
Enter	Select
→ ↑ ← ↓	Move
F1	Go to Main Menu
F2	Console off
F3	Back
Esc	Exit

Table 5-7. OSD Function Key

Only SUPERVISOR can set up the ACCESS LIST. The first column is the PC name list the following 8 column the access right of each ADMINISTRATOR use OSD MOUSE or Enter key to active/inactive the access right of each port. “X” means to disable access and “O” means to enable access.

5.3.6 HOTKEY

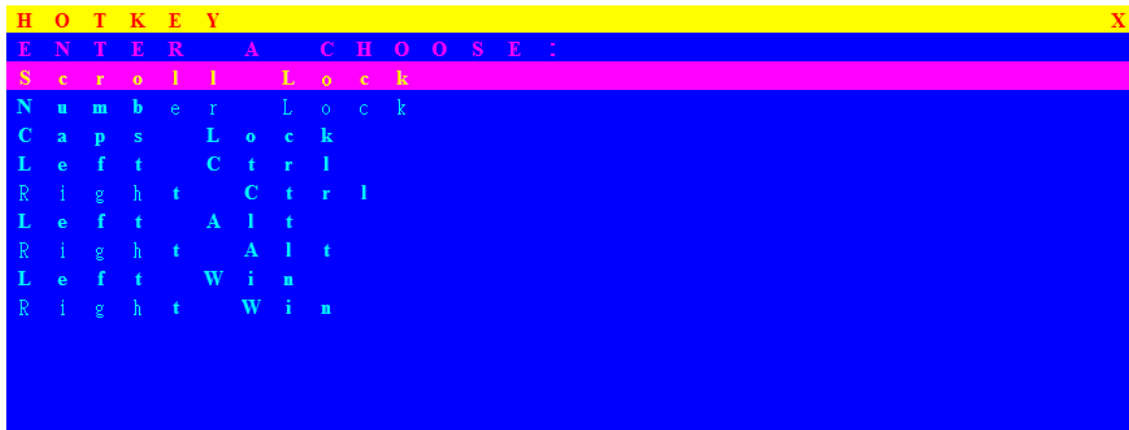


Figure 5-10. Hotkey

OSD Function Key	Description
Enter	Select
→ ↑ ← ↓	Move
F1	Go to Main Menu
F2	Console off
F3	Back
Esc	Exit

Table 5-8. OSD Function Key

Some keyboard may not equip with all the special keys. Make sure the key you select is available in you keyboard.

5.3.7 TIME SETTINGS



Figure 5-11. Time Settings

OSD Function Key	Description
Enter	Save
F1	Go to Main Menu
F2	Console off
F3	Back
Esc	Exit

Table 5-9. OSD Function Key

The “SCAN TIME: 10 SEC” means that scan interval from one PC port to next PC port. The default SCAN time is 10 seconds and the maximum scan time is 99 seconds, can not use number pad. Press “**Enter**” key to save SCAN TIME.

5.3.8 OSD MOUSE

You can change the move speed of mouse cursor in his item. There are three levels you can choose in it. The fastest move speed is “FAST”, the second is “MIDDLE” and the slowest is “SLOW”. Using “**↑**” and “**↓**” key on keyboard to move highlight bar and select what move speed you want to use. After press Enter Key, the mouse cursor move speed will change.



Figure 5-12. OSD Mouse

OSD Function Key	Description
Enter	Save
↑ / ↓	Move
F1	Go to Main Menu
F2	Console off
F3	Back
Esc	Exit

Table 5-10. OSD Function Key

6. Troubleshooting

1. No LED display
 - Make sure the power adapter plugs in the KVM Switch. If the LED's still won't light, perform soft reset to KVM switch by press "BANK" button and last port button at the same time.
 - Do the hard reset by unplug the power then plug in again.
2. The computer boot up fine, but keyboard doesn't work
 - PS/2 keyboard or PS/2 mouse port is not designed for Hot Plug. USB mouse and keyboard can Hot Plug, but need to wait few seconds for Computer bus emulations.
 - Don't press any keys on the keyboard while the selected computer is booting up. Otherwise it might cause the keyboard error or keyboard is not detected at Host side.
 - Make sure the keyboard works when directly plugged into the computer.
 - Try a different keyboard, but use only 101, 102 or 104-key keyboard.
3. The Mouse is not detected during PC boot up
 - Make sure to plug in mouse first, then plug in keyboard.
 - Make sure the USB or PS/2 mouse works when directly plugged into the computer.
 - Avoiding moving the mouse or pressing the mouse buttons when switching ports.
4. No video signal display on the remote monitor
 - Please go to check all of VGA cables & connector and CAT5 cable & connector are firmly connected.
5. Video signal is foggy or unclear on the screen
 - Please check if the VGA connector connected firmly. Check if the VGA resolution is too high for the length of CAT5 cable being used. If the problem happened at VGA resolution, to shorten the CAT5 cable length or reduce VGA resolution.
 - It is highly recommended to use "optimal CAT5 cable length" to get the best video quality and not waste unnecessary CAT5 cable.
 - If the CAT5 Receiver is not connecting a local computer, please make sure the monitor is grounded properly.
6. VGA resolution output mismatch with the monitor's
The KVM switch will provide DDC information to all the PC VGA board. If both the local console's monitor and KVM switch are turned on before the

PC boot up, or if the PC boot up faster then the KVM switch, the PC miss the DDC (Data Display Channel) information that causes the VGA resolution output mismatch with the monitor's.

In this case, please turn off the PC wait few minute then turn on again.

7. Certifications

FCC

This equipment has been tested and found to comply with Part 15 of the FCC Rules. Operation is subject to the following two conditions:

1. This device may not cause harmful interference
2. This device must accept any interference received. Include interference that may cause undesired operation.

CE

This equipment is in compliance with the requirements of the following regulations: EN 55 022: CLASS B.

RoHS

All contents of this package, including products, packing materials and documentation comply with RoHS.

