

# **15 / 17 / 19" LCD Single Rail Console with Modular KVM Switch**

## **Quick Installation Guide**

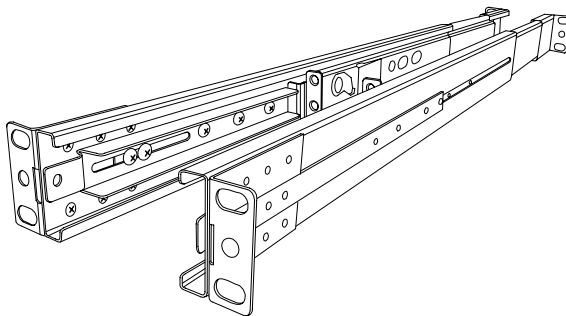
**Rev 1.0**

**Notes:**

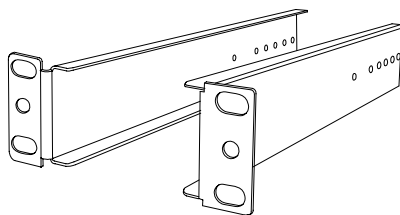
1. Please check all peripherals according the list before installation. To make sure that the whole unit was not damaged and lost during shipping process. If you encounter any problem, please contact your dealer.
2. Before installation, make sure all peripherals and computer have been turned off.
3. The standard brackets are for 614 ~ 1000 mm (distance means front bracket to rear bracket) cabinet, contact your dealer if you need more longer rear brackets.
4. If your cabinet depth is 828 ~ 1000 mm, please refer "Replace bracket A step". And If your cabinet depth is 504 ~ 614 mm, please refer "Replace bracket B and bracket C step".
5. Reliable earthing of rack-mounted equipment should be maintained. Particular attention should be given to supply connections other than direct connections to the branch circuit.

**Hardware kits contents:**

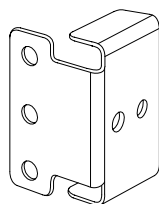
1. Rail with front and rear bracket x 2 (Please identify the brackets. Right and left sides are different. For cabinet depth 614 ~ 828 mm)



2. Bracket A x 2 (For cabinet depth 828~1000 mm. Please refer page 5)



3. Bracket B x 2 (For cabinet depth 504 ~614 mm. Please refer page 6)



4. Bracket C x 2 (For cabinet depth 504 ~614 mm. Please refer page 6)



**15 / 17" Single Rail Console  
bracket C**



**19" Single Rail Console  
bracket C**

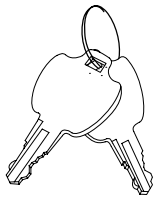
5. Screw (length = 6 mm) x 6



6. Screw x 8

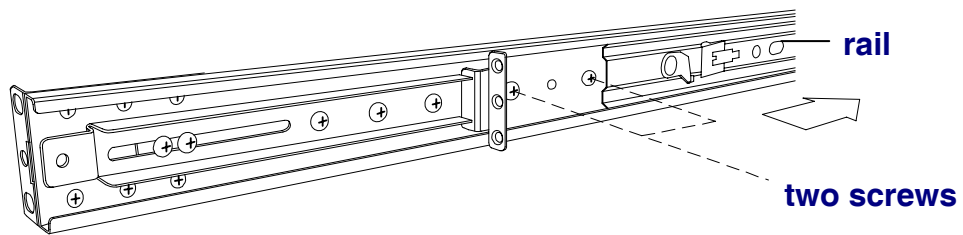


7. Key x 2

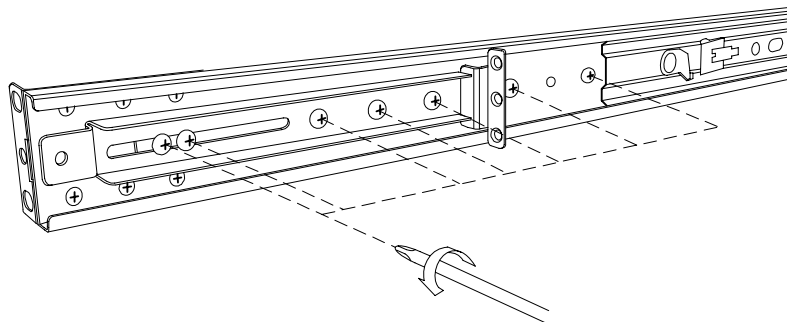


**Install console step:**

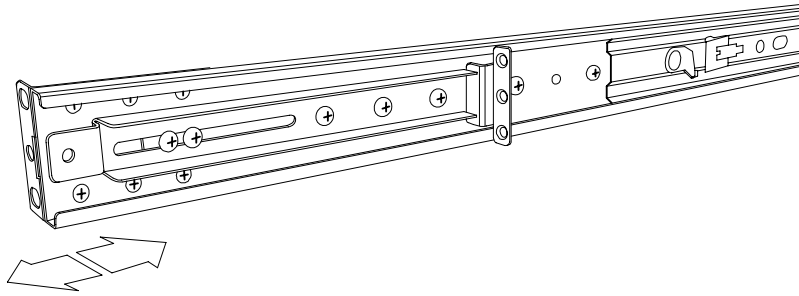
1. Adjust rail until two screws appear.



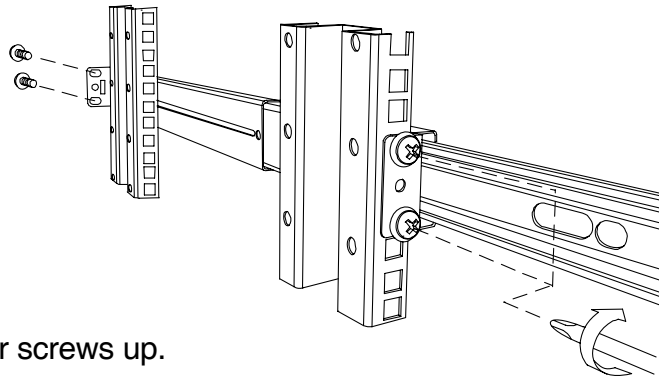
2. Loose (Not remove) seven rear screws.



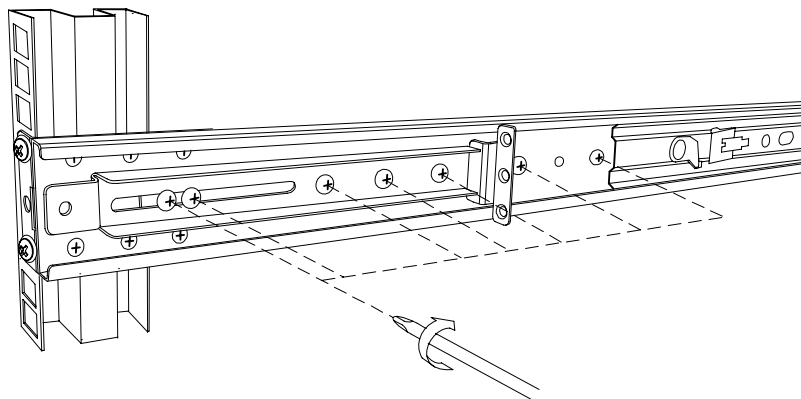
3. Adjust rail to fit your cabinet



4. Install front and rear bracket on cabinet.

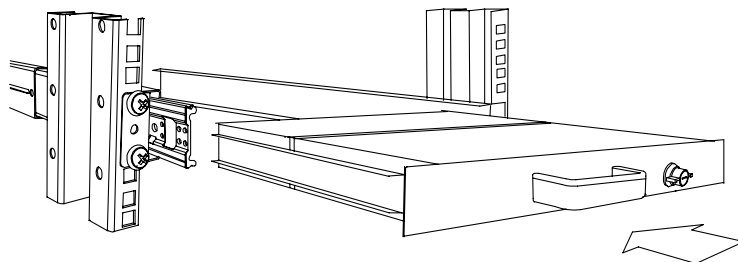


5. Tight seven rear screws up.

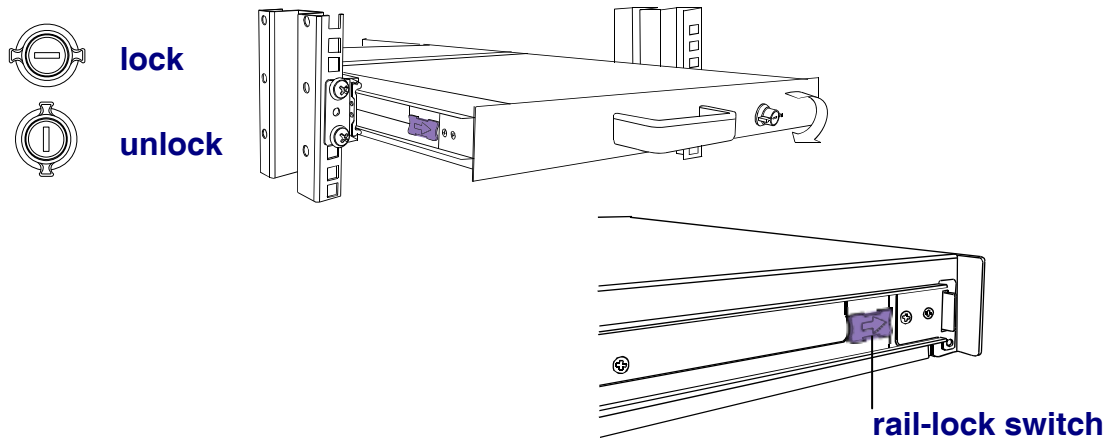


6. Repeat step 1~5 for the other side.

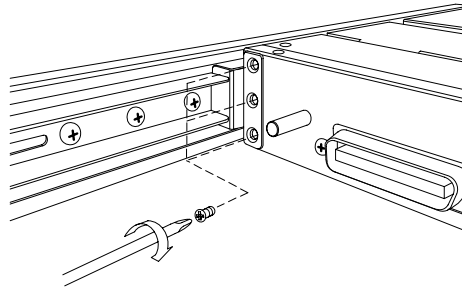
7. Push console into rails. (Be careful rear box loose when take out console from carton.)



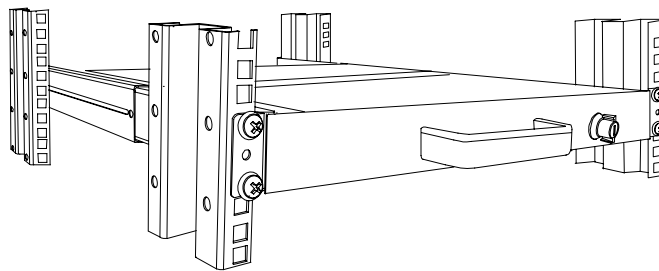
8. Unlock and pull rail-lock switch (left and right at the same time) then push console to the end.



9. Install three screws (length = 6 mm) in rear of the console. (Both sides)

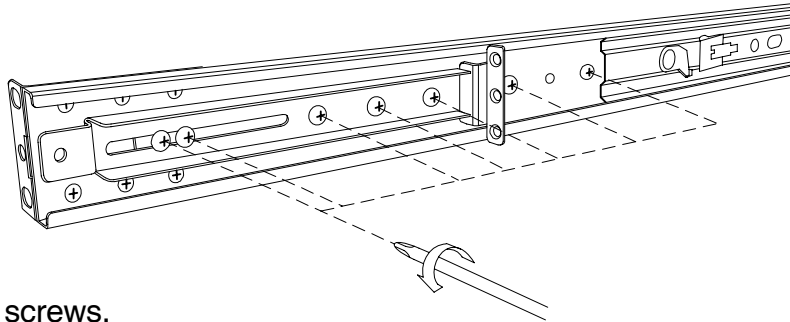


10. Finish installation as below.

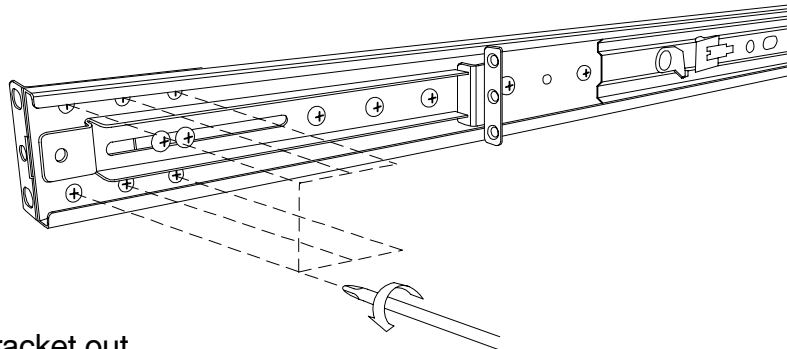


**Replace bracket A step (For cabinet depth 828 ~ 1000 mm):**

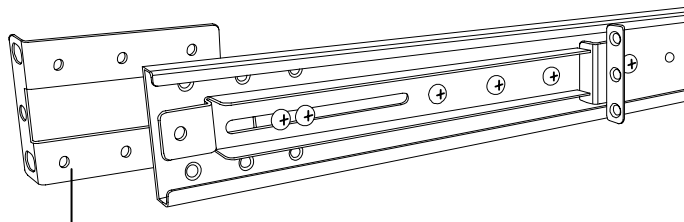
1. Loose (Not remove) seven rear screws.



2. Release six screws.

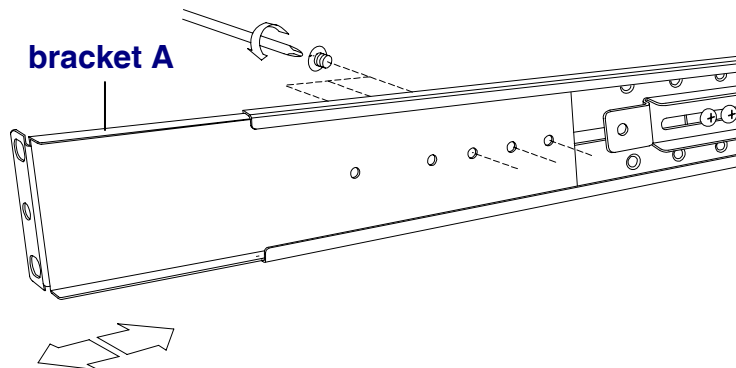


3. Take rear bracket out.



**original bracket**

4. Adjust rail and input bracket A to rear of the rail then adjust bracket A to fit your cabinet. Install 2~3 screws (don't tight-up) upon the length you need. One is forbidden.

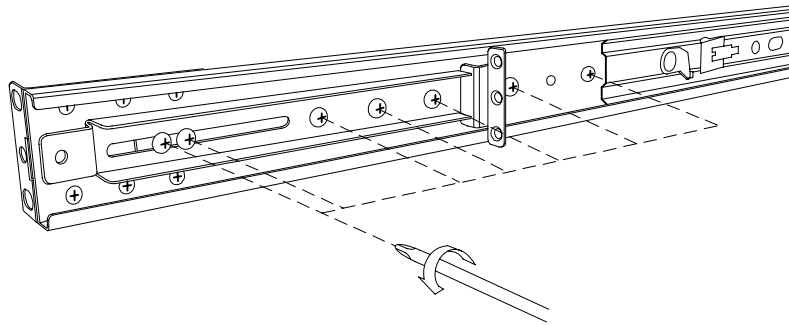


5. Repeat step 1 ~ 4 for the other side.

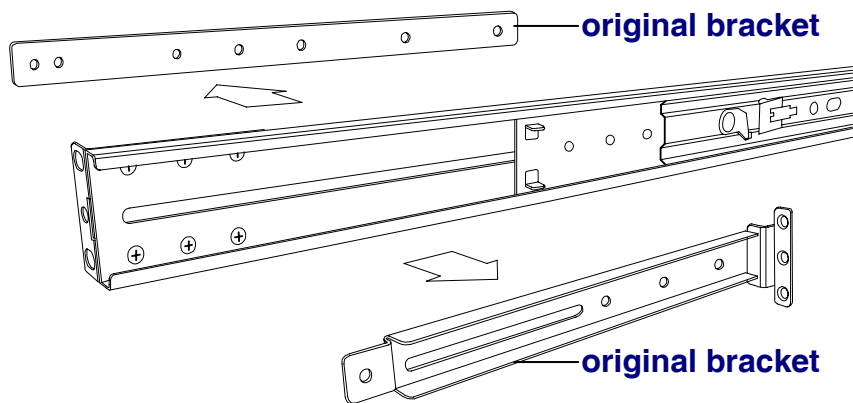
6. Repeat step 3 ~ 10 of install console to finish installation.

**Replace bracket B and C step (For cabinet depth is 504 ~ 614 mm):**

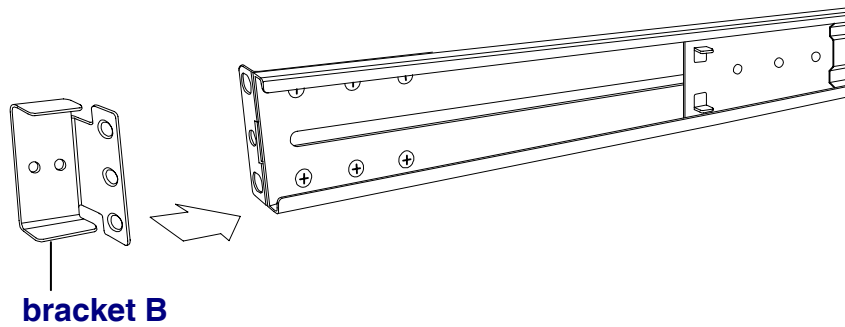
1. Remove seven rear screws.



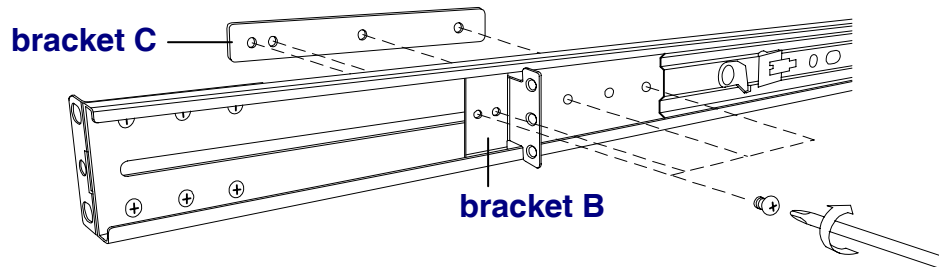
2. Take two original brackets out.



3. Input bracket B to rear of the rail.



4. Install four screws (don't tight-up) to combine rail, bracket B and bracket C.



5. Repeat step 1 ~ 4 for the other side.

6. Repeat step 3 ~ 10 of install console to finish installation.