



Toll Free: 1-888-865-6888

Tel: 510-226-8368 Fax: 510-226-8968

Email: sales@RackmountMart.com

User Manual

1U LCD Keyboard Drawer
10" screen size



Models
LCD1U10-02
- With KVM options

Contents

Chapter 1 **Getting Started**

1.1	Important Safeguards.....	1
1.2	Regulatory Notice.....	2
1.3	Package Contents.....	3
1.4	Before Installation.....	4
1.5	Unpacking.....	4
1.6	Optional Accessories.....	4
1.7	Peripheral Products.....	5
1.8	Structure Diagram.....	5
1.9	How to Use The Slides.....	6
1.10	How to Use LCD1U10-02 LCD Keyboard Drawer.....	7
1.11	LCD1U10-02 (Single console) - Use LCD-A3001 to connect to server via PS/2 interface.....	8
1.12	LCD1U10-02 (Single console) - Use LCD-A3001 to connect to KVM via PS/2 interface	8
1.13	LCD1U10-02 (Single console) - Use LCD-A3001 to connect to server via USB interface	9
1.14	LCD1U10-02 (Single console) - Use LCD-A3001 to connect to KVM via USB interface	9

Chapter 2 **Operation**

2.1	On-screen Display Operation.....	10
2.2	On-screen Menu.....	11

Chapter 3 **Standard Specification**

3.1	Specifications.....	12
3.2	Keyboard & Mouse.....	13

Chapter 4 **Optional Specification**

4.1	KVM Options.....	14
4.2	DVI-D Option.....	14
4.3	BNC + S-Video Option.....	14
4.4	Audio Option.....	15
4.5	DC power Options.....	15
4.6	Touchscreen Options.....	16

Chapter 5 **Troubleshooting**.....

Chapter 6 **Dimensions**.....

1.1 Important Safeguards

Chapter 1

Please read all of these instructions carefully before you use the device. Save this manual for future reference.

What the warranty does not cover

- Any product, on which the serial number has been defaced, modified or removed.
- Damage, deterioration or malfunction resulting from:
 - Accident, misuse, neglect, fire, water, lightning, or other acts of nature, unauthorized product modification, or failure to follow instructions supplied with the product.
 - Repair or attempted repair by anyone not authorized by us.
 - Any damage of the product due to shipment.
 - Removal or installation of the product.
 - Causes external to the product, such as electric power fluctuation or failure.
 - Use of supplies or parts not meeting our specifications.
 - Normal wear and tear.
 - Any other causes which does not relate to a product defect.
- Removal, installation, and set-up service charges.

Legal Information

First English printing, October 2002

Information in this document has been carefully checked for accuracy; however, no guarantee is given to the correctness of the contents. The information in this document is subject to change without notice. We are not liable for any injury or loss that results from the use of this equipment.

Safety Instructions

- Unplug equipment before cleaning. Don't use liquid or spray detergent; use a moist cloth.
- Keep equipment away from excessive humidity and heat. Preferably, keep it in an air-conditioned environment with temperatures not exceeding 40° Celsius (104° Fahrenheit).
- When installing, place the equipment on a sturdy, level surface to prevent it from accidentally falling and causing damage to other equipment or injury to persons nearby.
- When the drawer is in an open position, do not cover, block or in any way obstruct the gap between it and the power supply. Proper air convection is necessary to keep it from overheating.
- Arrange the equipment's power cord in such a way that others won't trip or fall over it.
- If you are using a power cord that didn't ship with the equipment, ensure that it is rated for the voltage and current labeled on the equipment's electrical ratings label. The voltage rating on the cord should be higher than the one listed on the equipment's ratings label.
- Observe all precautions and warnings attached to the equipment.
- If you don't intend on using the equipment for a long time, disconnect it from the power outlet to prevent being damaged by transient over-voltage.
- Keep all liquids away from the equipment to minimize the risk of accidental spillage. Liquid spilled on to the power supply or on other hardware may cause damage, fire or electrical shock.
- Only qualified service personnel should open the chassis. Opening it yourself could damage the equipment and invalidate its warranty.
- If any part of the equipment becomes damaged or stops functioning, have it checked by qualified service personnel.

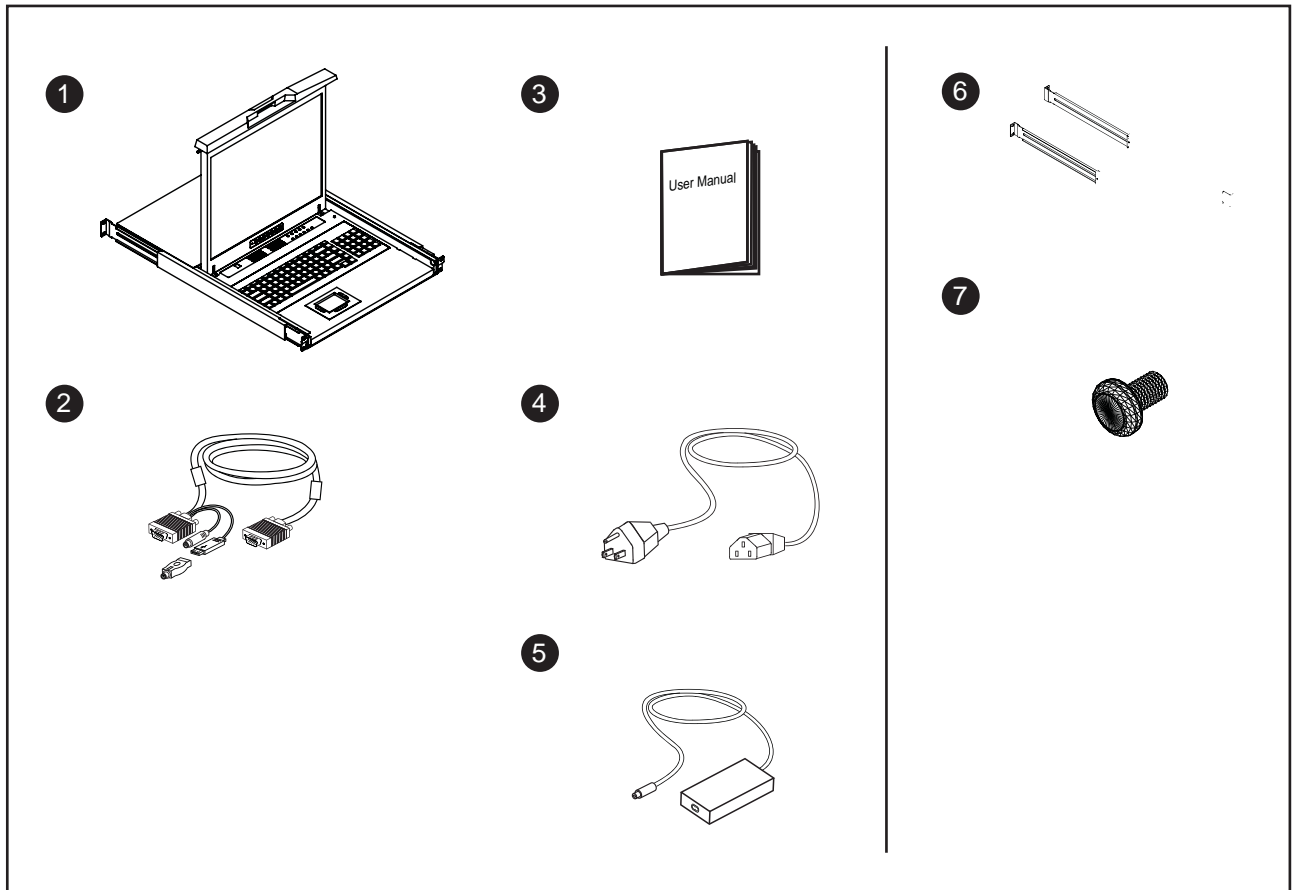
Regulatory Notices Federal Communications Commission (FCC)

This equipment has been tested and found to comply with the limits for a Class B digital device, pursuant to Part 15 of the FCC rules. These limits are designed to provide reasonable protection against harmful interference in a residential installation.

Any changes or modifications made to this equipment may void the user's authority to operate this equipment. This equipment generates, uses, and can radiate radio frequency energy and, if not installed and used in accordance with the instructions, may cause harmful interference to radio communications.

However, there is no guarantee that interference will not occur in a particular installation. If this equipment does cause harmful interference to radio or television reception, which can be determined by turning the equipment off and on, the user is encouraged to try to correct the interference by one or more of the following measures:

- Re-position or relocate the receiving antenna.
- Increase the separation between the equipment and receiver.
- Connect the equipment into an outlet on a circuit different from that to which the receiver is connected.



- ① LCD keyboard drawer x 1 pc
- ② **LCD-A3001** Combo 4-in-1 KVM cable x 1 pc
- ③ User manual x 1 pc
- ④ Power cord x 1 pc
- ⑤ Auto switch power adapter (for external power version) x 1 pc
- ⑥ Mounting bracket x 2 pcs
- ⑦ Fasteners x 4 pcs

1.4 Before Installation

Chapter 1

- It is very important to locate the LCD Keyboard Drawer in a suitable environment.
- The surface for placing and fixing the LCD Keyboard Drawer should be stable and level or mounted into a suitable cabinet.
- Make sure the place has good ventilation, is out of direct sunlight, away from sources of excessive dust, dirt, heat, water, moisture and vibration.
- Position LCD Keyboard Drawer with respect to related facilities.

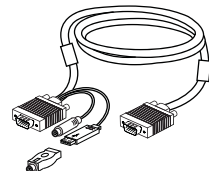
1.5 Unpacking

The LCD keyboard drawer comes with the standard parts shown on the package contents. Check and make sure they are included and in good condition. If anything is missing, or damage, contact the supplier immediately.

1.6 Optional Accessories

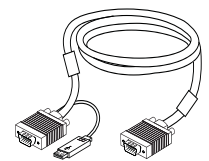
1. Combo 4-in-1 KVM cable

- 1.1 LCD-A3001 6 feet
- 1.2 LCD-A3002 10 feet
- 1.3 LCD-A3003 15 feet



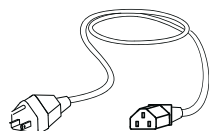
2. USB 2-in-1 KVM cable

- 2.1 LCD-A1014 6 feet
- 2.2 LCD-A1015 10 feet
- 2.3 LCD-A1016 15 feet



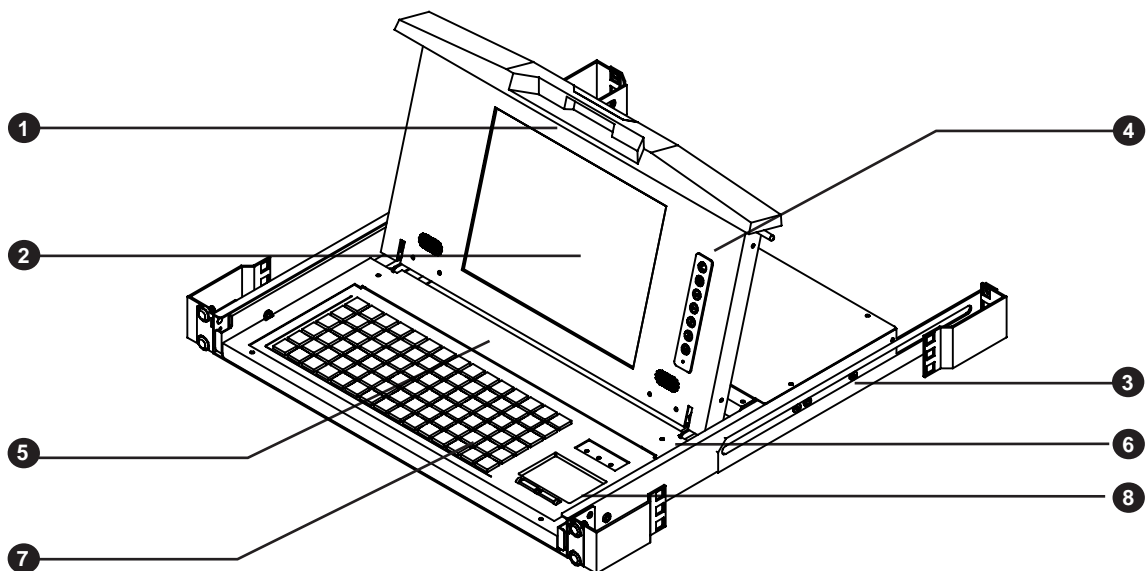
3. Power Cord

- 3.1 IEC power cord
- 3.2 NEMA 5-15 power cord (US)
- 3.3 BS 1363 power cord (UK)
- 3.4 CEE 7/4 power cord (German)
- 3.5 AS 3112 power cord (Australia)



Item	Model No.	Description
Matrix Cat6 KVM	LCDK2006-2 / 3 / 4	Matrix Cat6 16 port KVM
	LCDK2012- 31 / 41 / 42	Matrix IP Cat6 16 port KVM
	LCDK2007-2 / 3 / 4	Matrix Cat6 32 port KVM
	LCDK2013-31 / 41 / 42	Matrix IP Cat6 32 port KVM
Matrix DB-15 KVM	LCDK2004- 2 / 3 / 4	Matrix DB-15 8 port KVM
	LCDK2010- 31 / 41 / 42	Matrix IP DB-15 8 port KVM
	LCDK2005-2 / 3 / 4	Matrix DB-15 16 port KVM
	LCDK2011-31 / 41 / 42	Matrix IP DB-15 16 port KVM
Combo Cat6 KVM	LCDK2001 / 2002 / 2003	Combo Cat6 8 port KVM
	LCDK1043 / 1045 / 1047	Combo Cat6 16 port KVM
	LCDK1044 / 1046 / 1048	Combo Cat6 32 port KVM
Combo DB-15 KVM	LCDK1020 / 1024 / 1038	Combo DB-15 8 port KVM
	LCDK1021 / 1025 / 1039	Combo DB-15 16 port KVM
PS/2 DB-15 KVM	LCDK1009 / 1010 /1011	4 / 8 / 16 port PS/2 DB-15 KVM

1.8 Structure Diagram



- ① Carry handle to release the 2-pt lock
- ② LCD interchangeable module kit
- ③ Mounting bracket
- ④ LCD membrane
- ⑤ Membrane switch (KVM option)
- ⑥ Micro switch for screen auto power off
- ⑦ Keyboard interchangeable module kit
- ⑧ Mouse interchangeable module kit

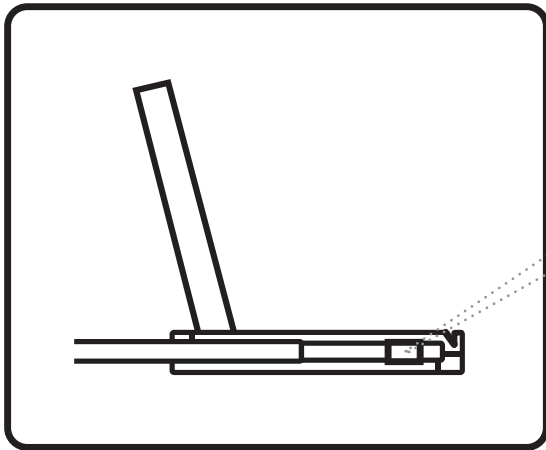


Figure 1.

- A black arrow release button is located on the outside of each slide. (shown in **Figure 1**).

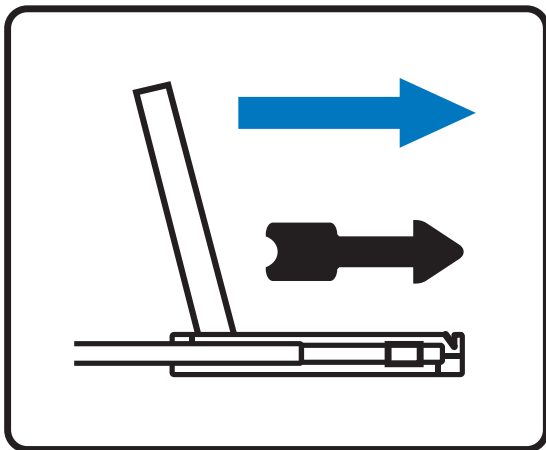


Figure 2.

- Pull and hold the black arrow button on either side of the LCD keyboard drawer to unlock. (shown in **Figure 2**).

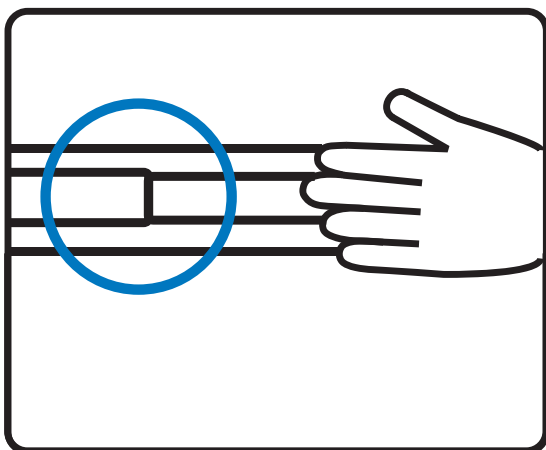



Figure 3.

- Push the LCD keyboard drawer into the rack. (shown in **Figure 3**).

 **Caution :** Keep your fingers away from the slide stop

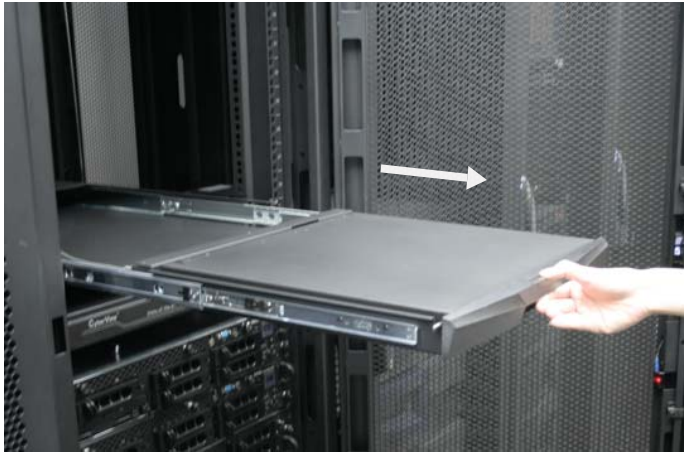


Figure 4. Sliding out the LCD keyboard drawer by pressing the carry handle button first.

- Press the carry handle button. Gently pull the carry handle toward the front of the LCD shown in **Figure 4**.



Figure 5. Flipping up the LCD to a suitable angle.

- Flip up the LCD to a suitable angle shown in **Figure 5**.



Figure 6. Operating the LCD keyboard drawer.

- Operate the LCD keyboard drawer shown in **Figure 6**.

1.11 LCD1U10-02 (Single console)

- Use LCD-A3001 to connect to server via PS/2 interface

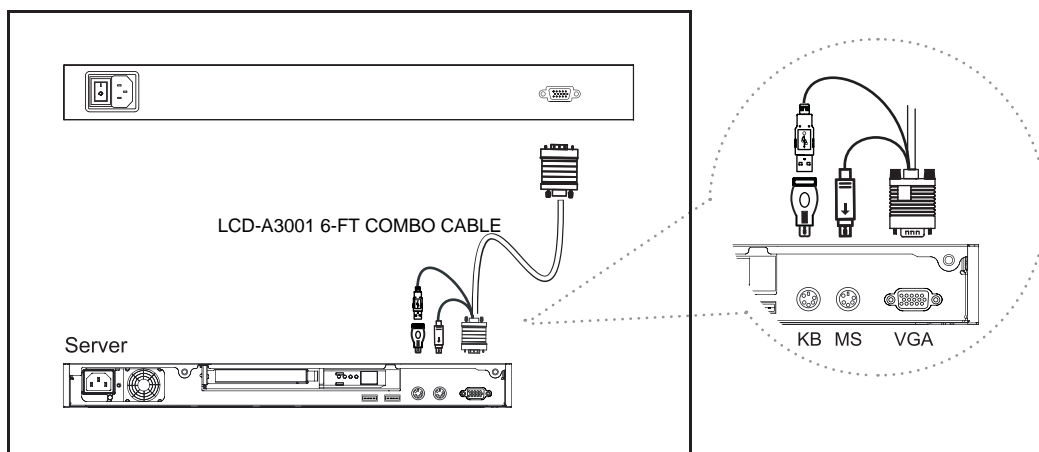


Figure 9. Example of connecting LCD-A3001 Combo 4-in-1 KVM cable to server via PS/2 interface

1.12 LCD1U10-02 (Single console)

- Use LCD-A3001 to connect to KVM via PS/2 interface

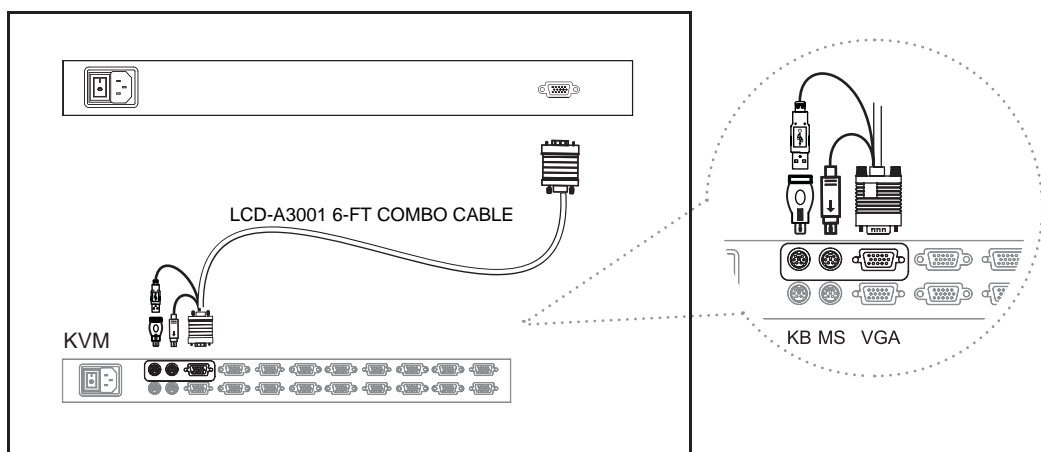


Figure 10. Example of connecting LCD-A3001 Combo 4-in-1 KVM cable to KVM via PS/2 interface

Remarks :

- The above connection is only for the LCD keyboard without KVM switch built-in.
- For the LCD keyboard drawer with KVM switch built-in, please refer to attached KVM switch user manual.



Caution : The LCD keyboard drawer is hot-pluggable, but components of connected devices, such as the servers and KVM switch, may not be hot-pluggable. Plugging and unplugging cables while servers and KVM are powered on may cause irreversible damage to the servers, KVM and LCD keyboard drawer. Before attempting to connect anything to the LCD keyboard drawer, we suggest turning off the power to all devices before connecting them. Apply power to connected devices again only after the LCD keyboard is receiving power. The company is not responsible for damage caused in this way.

1.13 LCD1U10-02 (Single console)

- Use LCD-A3001 to connect to server via USB interface

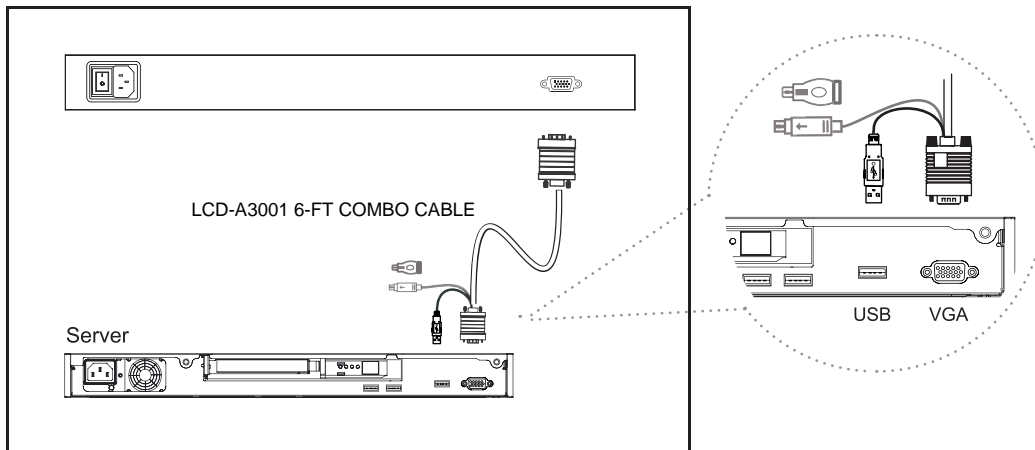


Figure 11. Example of connecting LCD-A3001 Combo 4-in-1 KVM cable to server via PS/2 interface

1.14 LCD1U10-02 (Single console)

- Use LCD-A3001 to connect to KVM via USB interface

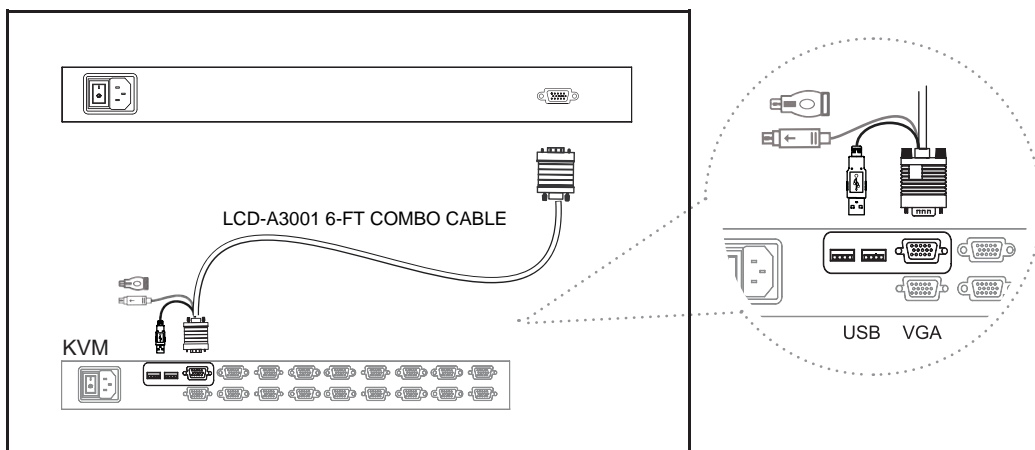


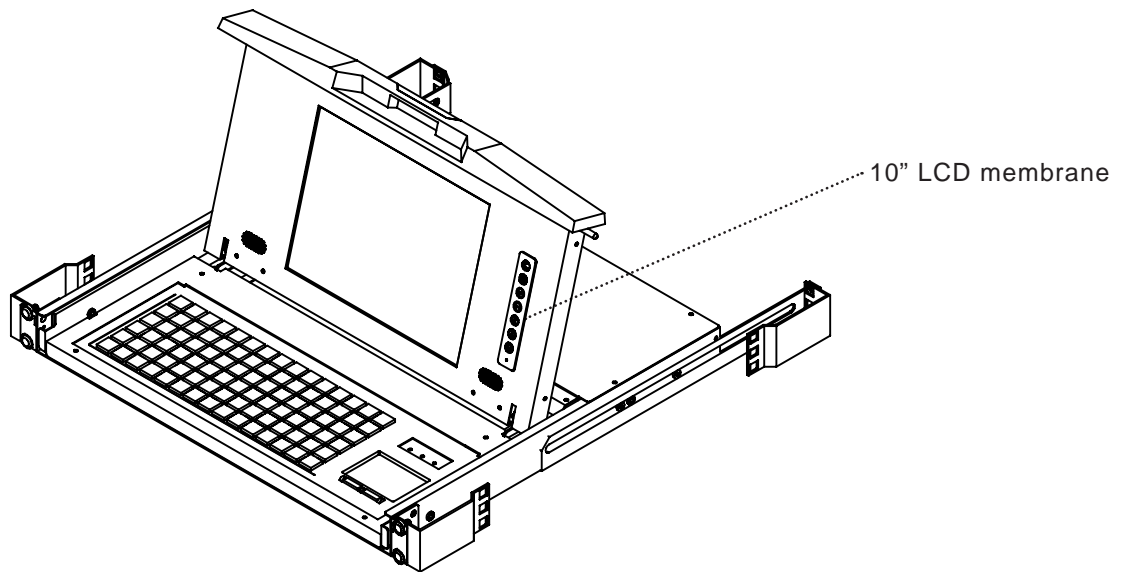
Figure 12. Example of connecting LCD-A3001 Combo 4-in-1 KVM cable to KVM via PS/2 interface

Remarks :

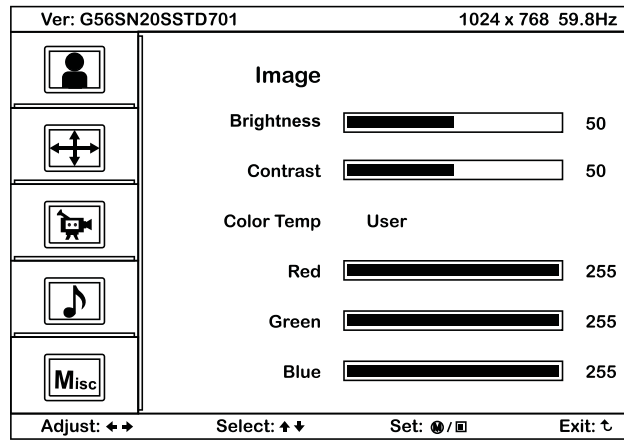
- The above connection is only for the LCD keyboard without KVM switch built-in.
- For the LCD keyboard drawer with KVM switch built-in, please refer to attached KVM switch user manual.



Caution : The LCD keyboard drawer is hot-pluggable, but components of connected devices, such as the servers and KVM switch, may not be hot-pluggable. Plugging and unplugging cables while servers and KVM are powered on may cause irreversible damage to the servers, KVM and LCD keyboard drawer. Before attempting to connect anything to the LCD keyboard drawer, we suggest turning off the power to all devices before connecting them. Apply power to connected devices again only after the LCD keyboard is receiving power. The company is not responsible for damage caused in this way.



Membrane Switch	Function
<ul style="list-style-type: none"> ○ ● ● 	Power light Green = On Orange = Power saving
⊖	Power on / off LCD
M	Display the OSD menu
	Scrolls through menu options and adjusts the displayed control (To auto adjustment by pressing the button for 5 seconds)
	Exit the OSD screen Toggle analog, digital & video connection (DVI-D and video options only)

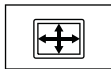


OSD Configuration Page



Image:

To enter into the brightness, contrast, color temp, red, green, and blue



Geometry:

To enter into the auto adjust, H position, V position, phase and clock



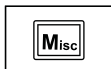
Video:

To enter into the colour, tint, sharpness, noise reduction, DCDi and TV Setup



Audio:

To enter into volume, bass, treble, balance, AVL and mute



Misc:

To enter into the language, OSD position, graphic mode, ratio, reset and timer

3.1 Specifications

Chapter 3

Item	Description
Form Factor	1U rack mounting on slide-out rails
LCD Manufacturer	
Series	LCD1U10-02
Diagonal Size	15" TFT
Max. Resolution	1024 x 768
Brightness (cd/m ²)	400
Color Support	16.2 M
Contrast Ratio (typ.)	1200:1
Viewing Angle (H/V)	176° x 176°
Display Area (mm)	211 x 158
Tr Response Time (ms)	10
LCD Panel MTBF (hrs)	50,000
VGA Signal Input	Analog RGB, 0.7Vp-p
Sync. Type	Separate H/V, Composite, SOG
Plug & Play DDC	EDID 1.3
Console Port (Combo)	DB-15 connector for VGA / keyboard / mouse (Combo interface)
Power Input	Auto-sensing 100 to 240VAC, 50 / 60Hz
Power Consumption	att, Standby 5 Watt Max. 48 W
Compatibility	Multi-platform - Mix PCs, SUNs, IBMs, HPs & DELLs.
Regulation Approval	FCC, CE

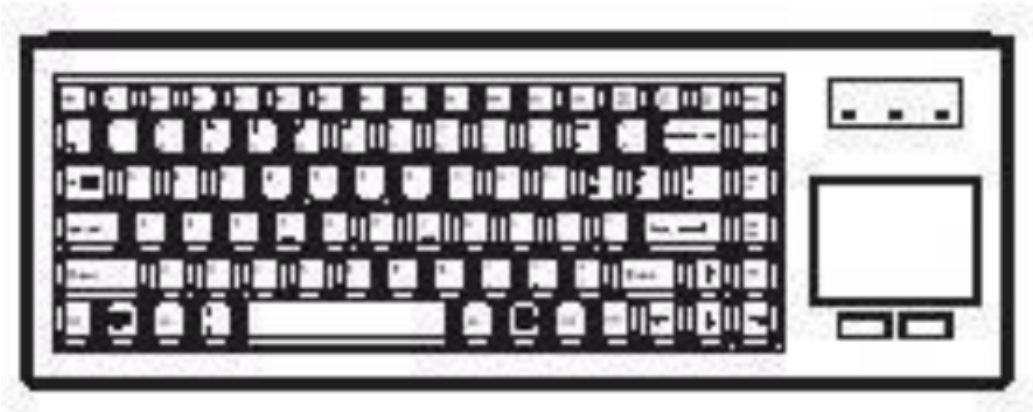
Options

KVM Integration	Matrix & combo KVM with IP console and 2-console selection
Keyboard & mouse	Notebook keyboard w/ touch-pad / Cherry keyboard w/ trackball
Graphic Input	DVI-D, RCA, BNC & S-Video input
DC Power	DC power input with 12V, 24V, 48V selection
Touchscreen	Resistive & capacitive

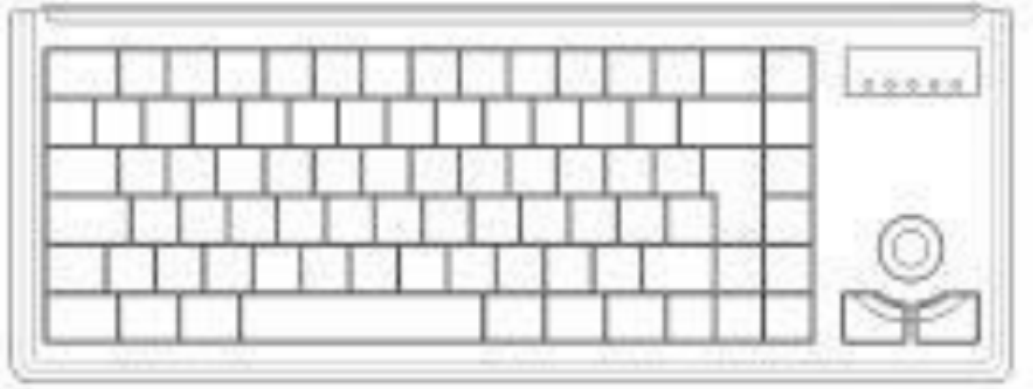
Environmental

Operation	0° to 50°C Degree
Storage	-5° to 60 °C Degree
Relative Humidity	5~90%, non-condensing
Shock	10G acceleration (11ms duration)
Vibration	5~500Hz 1G RMS random vibration

For LCD1U10-02



N N keyboard integrated with touchpad



C Cherry keyboard integrated with trackball

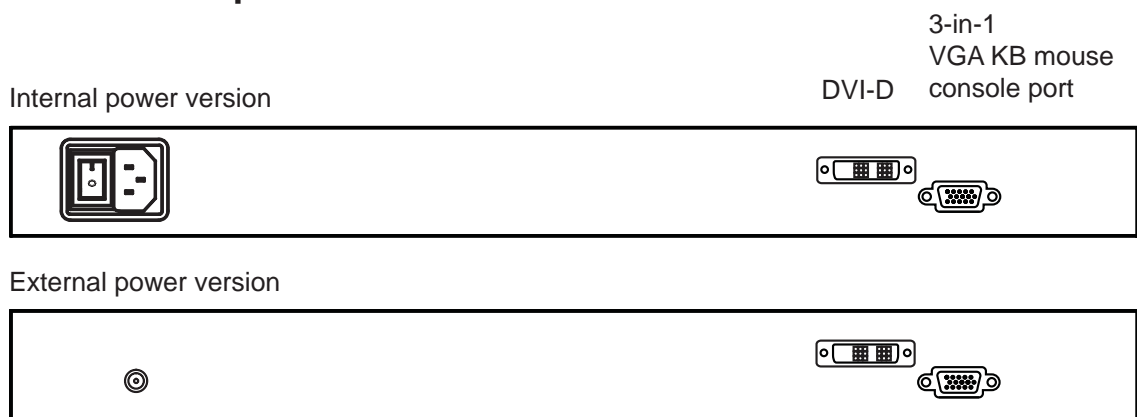
4.1 KVM Options

Chapter 4

Our KVM is designed to seamlessly integrate into the rear of our full range of LCD drawer solutions:

- For KVM operation, please refer to KVM user manual
- Option with Multiple consoles Matrix KVM
- Option with high density & cost efficient Combo KVM integration with either 8 / 16 / 32 ports
- Option with low cost PS/2 KVM
- Please ask your supplier for full KVM details

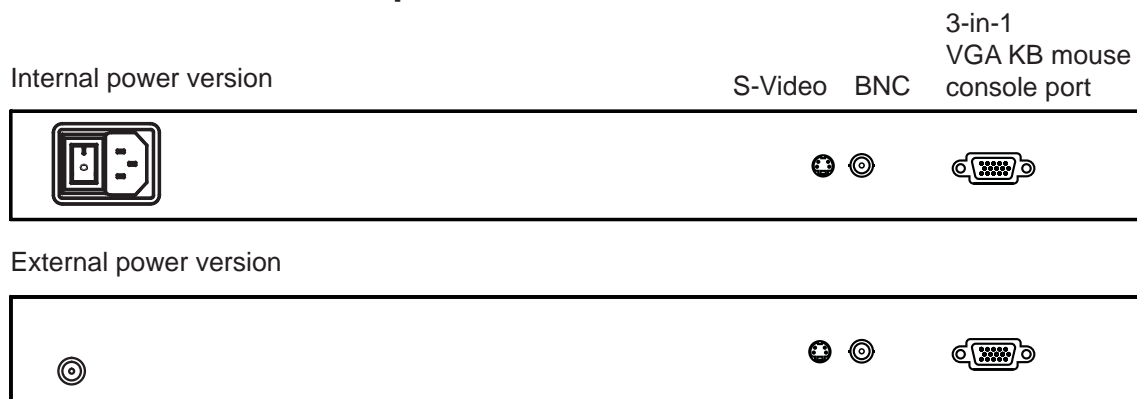
4.2 DVI-D Option



Remarks :

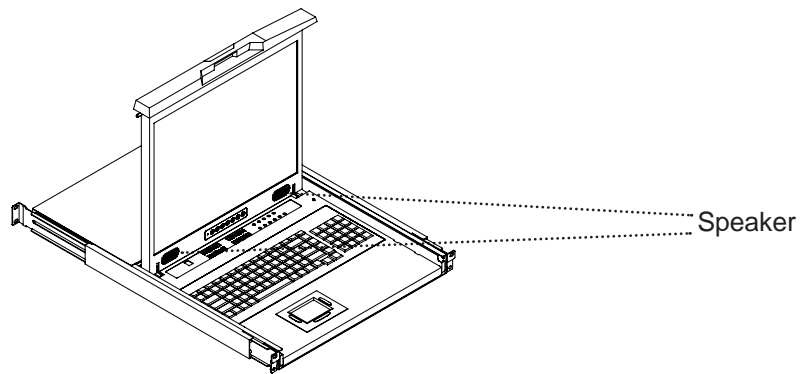
- Package includes 1 x 6ft DVI-D cable
- Single Port version includes VGA, DVI-D, BNC, S-Video and Audio inputs

4.3 BNC + S-Video Option



Remarks :

- Package includes 1 x 6ft S-Video cable
- Single Port version includes VGA, DVI-D, BNC, S-Video and Audio inputs

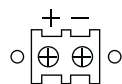


	Power	Audio	3-in-1 VGA KB mouse console port
Internal power version			
External power version			

Remarks

- Audio input is 35mm audio plug
- The speaker is sharing the same power with LCD.
- The speaker option can be only added on single port and 8-port KVM version.
- Single Port version includes VGA, DVI-D, BNC, S-Video and Audio inputs

4.5 DC Power Options



Model	12V	24V	48V
Input rating			
Input voltage:	12-Volt	24-Volt	48-Volt
Input range:	9 ~ 18V	18 ~ 36V	36 ~ 75V
Input current			
- No load	50 mA	50 mA	50 mA
- Full load	4950 mA	2450 mA	1220 mA
Output rating			
Output voltage:	12-Volt	12-Volt	12-Volt
Output current:	4.16A	4.16A	4.16A
Efficiency	84%	85%	85%

**Resistive**

Model	-10TRB / -10TRS
Screen size	10"
Interface	USB / serial
Optical transmittance	80% ± 3%
Surface hardness	≥3H (JIS K5400)
Operating system	Windows 98 / 2000 / ME / XP / NT / CE, DOS, Linux

Capacitive

Model	-10TCB / -10TCS
Screen size	10"
Interface	USB / serial
Optical transmittance	93% ± 2%
Surface hardness	>9H Surface hardness, withstand over 300 million touches
Operating system	Windows 98 / 2000 / ME / XP / NT / CE, DOS, Linux

Remarks

- USB touchscreen package includes 1 x 6ft USB cable, quick reference guideline and CD disc
- Serial touchscreen package includes 1 x 6ft serial cable, quick reference guideline and CD disc
- For detailed information, please refer to the attached CD disc
- As the touchscreen unit is not made of toughened glass, please handle it carefully
- Touchscreen in other brands are available on request

5.1 Troubleshooting

Chapter 5


1. Is interference signal appeared on LCD normal when shutting down the computer ?

In rare cases, interference may appear on the monitor. This may be caused by signal rate of VGA card and is considered normal. The image quality can be improved by adjusting the phase or pixel rate automatically or manually.

2. The membrane power light is not ON

Press the power On / Off on LCD membrane to check if the monitor is in the ON mode.
Check the power cord is properly connected to the LCD keyboard drawer and power outlet.

3. Screen image is not centered or sized properly

Press the  button for two seconds to automatically adjust the image.
Adjust the H-position and V-position settings via On-screen menu.

4. Is the LCD keyboard drawer hot-pluggable ?

The LCD keyboard drawer is hot-pluggable, but components of connected devices, such as the servers and KVMs, may not be hot-pluggable. We suggest turning off the power to all devices before connecting them. Apply power to connected devices again only after the LCD keyboard receives power.

5. How do I adjust the resolution?

To change monitor resolution, click Start -> Control Panel -> Display. Select Setting tab to adjust the monitor resolution in Desktop Area. The available resolutions, "640 x 480", "800 x 600", "1024 x 768", "1152 x 864", "1280 x 1024", are determined by the display card in your computer.

6.1 Dimensions

Chapter 6

Model	Product Dimension (W x D x H)	Net Weight
LCD1U10-02	442 x 410 x 44 mm 17.4 x 16.1 x 1.73"	15 kg 33 lb

The company reserves the right to modify product specifications without prior notice and assumes no responsibility for any error which may appear in this publication.

All brand names, logo and registered trademarks are properties of their respective owners.

Copyright 2008 Synergy Global Technology Inc. All rights reserved.