

# LCD1U17-17/ 19-09 1U Rackmount Short Depth LCD Keyboard/KVM Drawer



## Options



BNC + S-Video



DVI-D



DC Power



Audio

### S-Video + BNC



### DC Power



### DVI-D



### Audio



**\*\*With DC power option, the depth of 17-17/19-09 will be extended from 480mm ( 18.9" ) to 530mm ( 20.9" )**

## Drawer Features & Options

- 1U rackmount drawer with either 17" or 19" LCD
- Combo interface either PS/2 or USB input to the LCD drawer
- Multiple keyboard language selections with either touchpad or trackball
- Slide rails with fixed positions to prevent drawer movement when typing
- An aesthetically enhanced latching front panel to release the two point lock

## LCD Drawer Benefits

- ▶ Short depth design of 480mm (18.9") only
- ▶ Depth will suit a 600mm rack application
- ▶ "One Man" installation slides for easy, quick installation
- ▶ 104 key notepad keyboard with full numerical pad

## Monitor Grade A 17" or 19" industrial TFT LCD panel

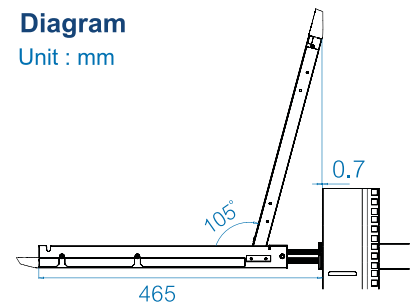
- 17" 1280 x 1024 LCD with 300 nit brightness and 1000:1 contrast ratio typical
- 19" 1280 x 1024 LCD with 300 nit brightness and 1000:1 contrast ratio typical

## Dimensions

Model	Product Dimension (W x D x H)	Net Weight
LCD1U17-17	442 x 480 x 44 mm 17.4 x 18.9 x 1.73 inch	15 kg / 33 lbs
LCD1U19-09	442 x 480 x 44 mm 17.4 x 18.9 x 1.73 inch	16 kg / 35 lbs

## Diagram

Unit : mm

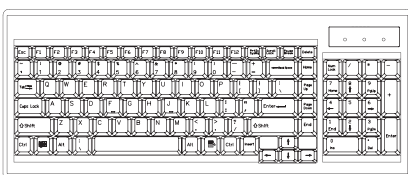


## Keyboard Selection

Supporting layouts



### **N** 104 keyboard integrated with touchpad



### **B** 104 keyboard integrated with trackball

