



Synergy Global Technology Inc

www.RackmountMart.com

Toll Free: 1-888-865-6888

Tel: 510-226-8368 Fax: 510-226-8968

Email: sales@RackmountMart.com

User Manual 17" / 19" LCD 1152 x 900 Native Resolution



1U Dual Slide SUN LCD Console Drawer LCD1U17-21 / LCD1U19-23

Options :
- DC power



Legal Information

First English printing, October 2002

Information in this document has been carefully checked for accuracy; however, no guarantee is given to the correctness of the contents. The information in this document is subject to change without notice. We are not liable for any injury or loss that results from the use of this equipment.

Safety Instructions

Please read all of these instructions carefully before you use the device. Save this manual for future reference.

- Unplug equipment before cleaning. Don't use liquid or spray detergent; use a moist cloth.
- Keep equipment away from excessive humidity and heat. Preferably, keep it in an air-conditioned environment with temperatures not exceeding 40° Celsius (104° Fahrenheit).
- When installing, place the equipment on a sturdy, level surface to prevent it from accidentally falling and causing damage to other equipment or injury to persons nearby.
- When the equipment is in an open position, do not cover, block or in any way obstruct the gap between it and the power supply. Proper air convection is necessary to keep it from overheating.
- Arrange the equipment's power cord in such a way that others won't trip or fall over it.
- If you are using a power cord that didn't ship with the equipment, ensure that it is rated for the voltage and current labeled on the equipment's electrical ratings label. The voltage rating on the cord should be higher than the one listed on the equipment's ratings label.
- Observe all precautions and warnings attached to the equipment.
- If you don't intend on using the equipment for a long time, disconnect it from the power outlet to prevent being damaged by transient over-voltage.
- Keep all liquids away from the equipment to minimize the risk of accidental spillage. Liquid spilled on to the power supply or on other hardware may cause damage, fire or electrical shock.
- Only qualified service personnel should open the chassis. Opening it yourself could damage the equipment and invalidate its warranty.
- If any part of the equipment becomes damaged or stops functioning, have it checked by qualified service personnel.

What the warranty does not cover

- Any product, on which the serial number has been defaced, modified or removed.
- Damage, deterioration or malfunction resulting from:
 - Accident, misuse, neglect, fire, water, lightning, or other acts of nature, unauthorized product modification, or failure to follow instructions supplied with the product.
 - Repair or attempted repair by anyone not authorized by us.
 - Any damage of the product due to shipment.
 - Removal or installation of the product.
 - Causes external to the product, such as electric power fluctuation or failure.
 - Use of supplies or parts not meeting our specifications.
 - Normal wear and tear.
 - Any other causes which does not relate to a product defect.
- Removal, installation, and set-up service charges.

Regulatory Notices Federal Communications Commission (FCC)

This equipment has been tested and found to comply with the limits for a Class B digital device, pursuant to Part 15 of the FCC rules. These limits are designed to provide reasonable protection against harmful interference in a residential installation.

Any changes or modifications made to this equipment may void the user's authority to operate this equipment. This equipment generates, uses, and can radiate radio frequency energy and, if not installed and used in accordance with the instructions, may cause harmful interference to radio communications.

However, there is no guarantee that interference will not occur in a particular installation. If this equipment does cause harmful interference to radio or television reception, which can be determined by turning the equipment off and on, the user is encouraged to try to correct the interference by one or more of the following measures:

- Re-position or relocate the receiving antenna.
- Increase the separation between the equipment and receiver.
- Connect the equipment into an outlet on a circuit different from that to which the receiver is connected.

Contents

< Part. 1 > LCD1U17-21 / LCD1U19-23

| | | |
|-----|-------------------------------|---------|
| 1.1 | Package Content | P.1 |
| 1.2 | Structure Diagram & Dimension | P.1 - 2 |
| 1.3 | Installation | P.3 - 5 |
| 1.4 | Connection | P.6 - 7 |

< Part. 2 > Specifications / OSD

| | | |
|-----|-------------------------------------|-----------|
| 2.1 | Product Specifications | P.8 - 9 |
| 2.2 | Keyboard / Mouse Specifications | P.10 - 11 |
| 2.3 | On-screen Display Operation (OSD) | P.12 |

< Part. 3 > Options

| | | |
|-----|--|------|
| 3.1 | DC Power : 12V / 24V / 48V / 125V / 250V | P.13 |
|-----|--|------|

< Part. 4 > KVM Integration

P.14

Before Installation

- It is very important to mount the equipment in a suitable cabinet or on a stable surface.
- Make sure the place has a good ventilation, is out of direct sunlight, away from sources of excessive dust, dirt, heat, water, moisture and vibration.

Unpacking

The equipment comes with the standard parts shown in package content. Check and make sure they are included and in good condition. If anything is missing, or damaged, contact the supplier immediately.

How To Clean Your LCD Monitor



Caution :

- To avoid the risk of electric shock, make sure your hands are dry before unplugging your monitor from or plugging your monitor into an electrical outlet.
- When you clean your monitor, do not press down on the LCD screen. Pressing down on the screen can scratch or damage your display. Pressure damage is not covered under warranty.
- Use only cleansers made specifically for cleaning monitors and monitor screens. Cleansers not made to clean monitors and monitor screens can scratch the LCD display or strip off the finish.
- Do not spray any kind of liquid directly onto the screen or case of your monitor. Spraying liquids directly onto the screen or case can cause damage which is not covered under warranty.
- Do not use paper towels or abrasive pads to clean your monitor. Using an abrasive pad or any wood based paper product such as paper towels can scratch your LCD screen.

Cleaning Your Monitor

To clean your LCD safely, please follow these steps :

- ① Disconnect the power cord.
- ② Gently wipe the surface using a clean, dry microfiber cloth. Use as little pressure as possible.

Cleaning Tough Marks and Smudges

To remove tough marks and smudges, please follow these steps :

- ① Disconnect the power cord.
- ② Spray a small amount of non-abrasive cleanser on a microfiber cloth.



Caution : Do not spray or apply any liquids directly onto the monitor. Always apply the solution to your microfiber cloth first, not directly on the parts you are cleaning.

- ③ Gently wipe the surface. Use as little pressure as possible.
- ④ Wait until your monitor is completely dry before plugging it in and powering it up.

< Part 1 >

< 1.1 > Package Content



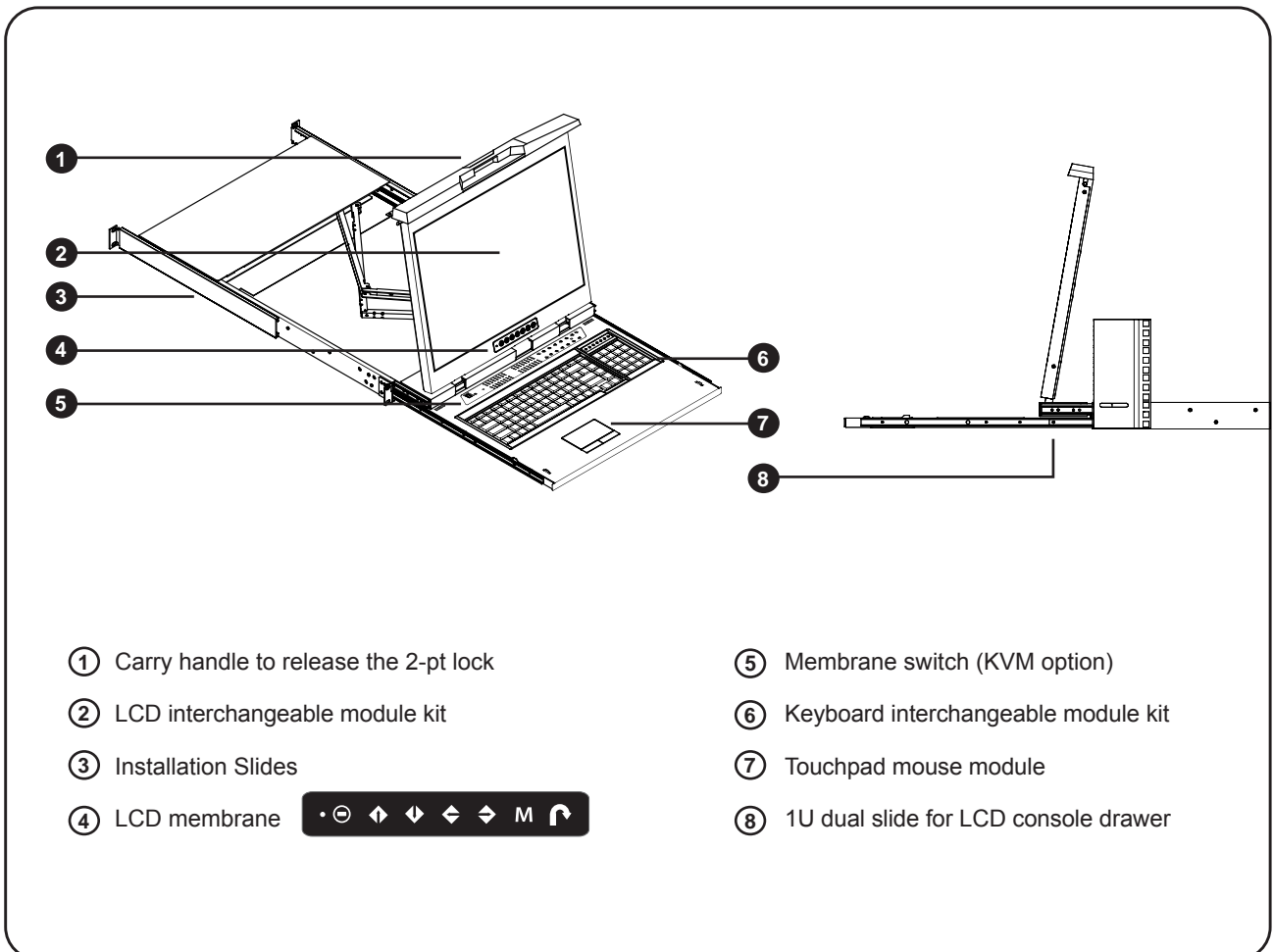
LCD1U17-21 or LCD1U19-23 unit X 1

- LCD-A3004 6ft DVI-D console cable X 1
(Alternative : LCD-A1014 6ft VGA console cable)
- Power cord X 1
- M6 screw, cage nut & cup washer X 8



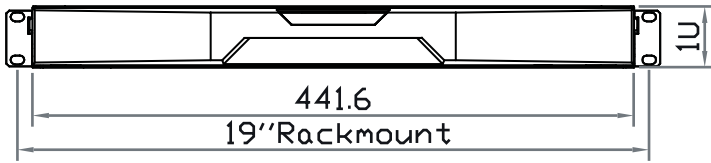
The above package content is only for the single console models.
It varies with options such as KVM & DC power.

< 1.2 > Structure Diagram



< 1.2 > Dimension

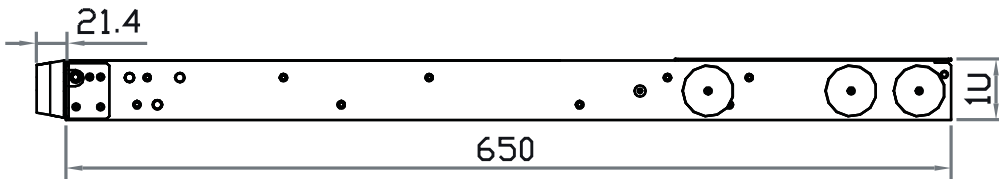
Front View



Rear View

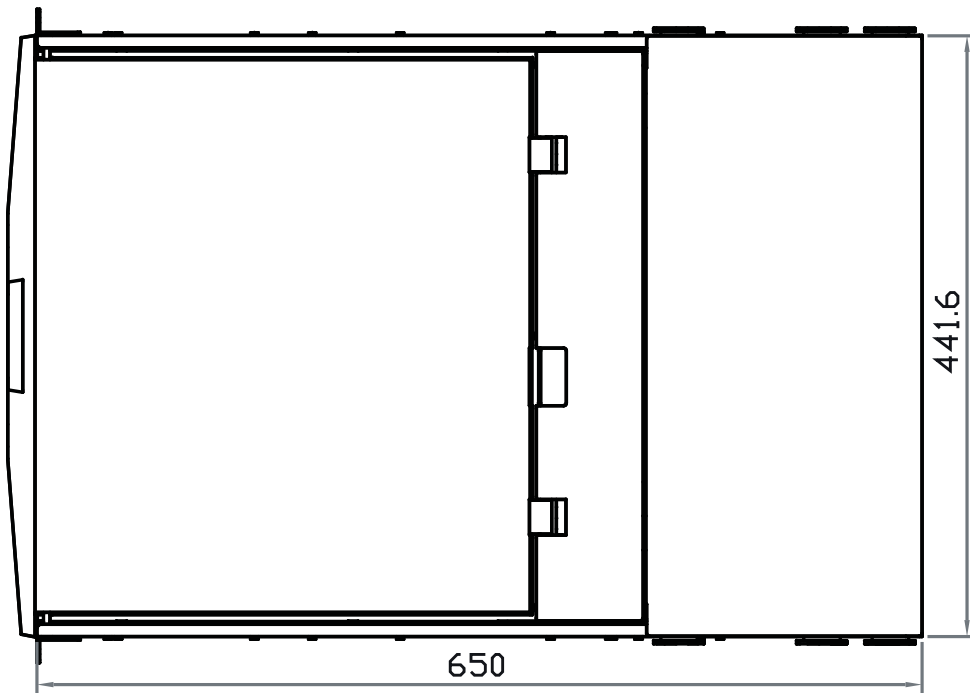


Side View



UNIT : mm
1mm = 0.03937 inch

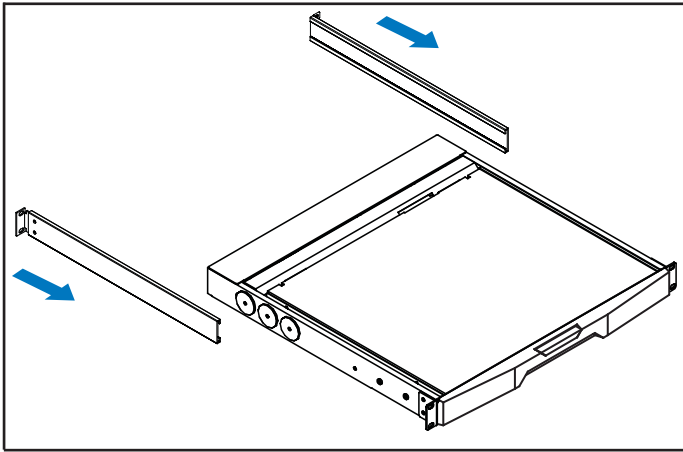
Top View



| Model | Product Dimension (W x D x H) | Net Weight |
|------------|--|--------------------|
| LCD1U17-21 | 441.6 x 650 x 44 mm 17.4 x 25.6 x 1.73" | 12.6 kg 27.7 lb |
| LCD1U19-23 | 441.6 x 650 x 44 mm 17.4 x 25.6 x 1.73" | 13.2 kg 29 lb |

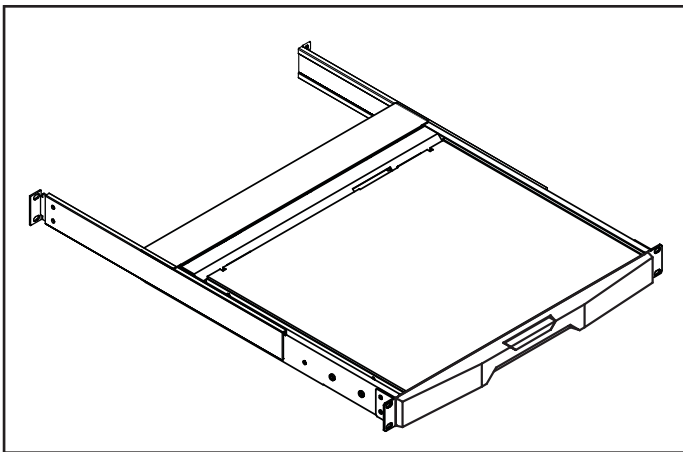
 The weight is only for the single console models. It varies with accessories & options such as KVM & DC power.

< 1.3 > Installation - How to install Installation Slides



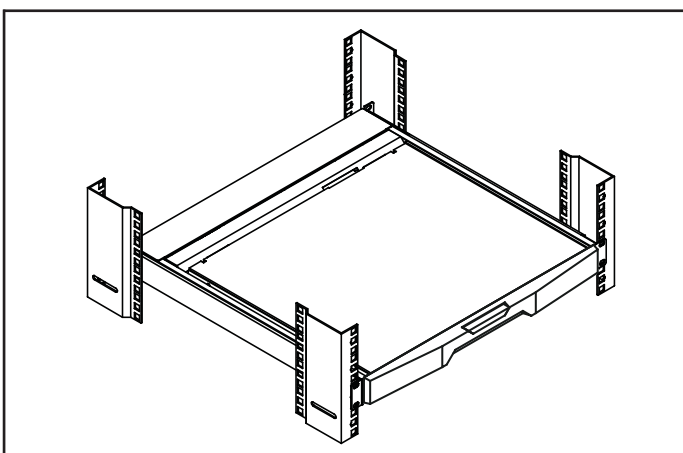
Step 1

- Insert the left and right rear mounting brackets into the LCD console drawer.



Step 2

- Measure the depth of the front and rear mounting rails.
- Align each rear mounting bracket to a suitable length.



Step 3

Complete the installation

- Fix the LCD console drawer into the rack.



M6 screw, cage nut & cup washer x 8 are provided.

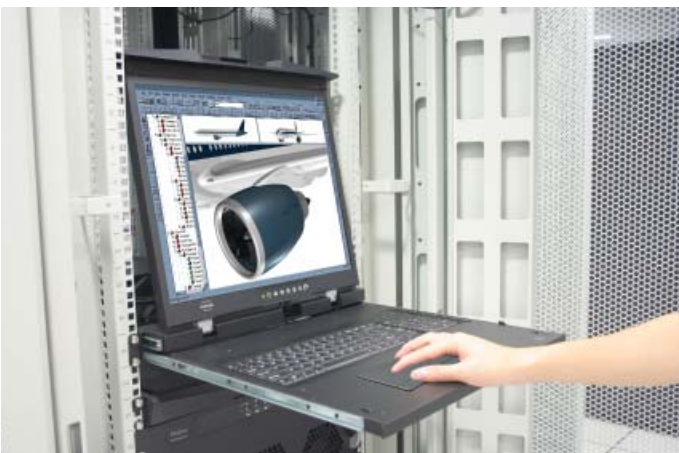
< 1.3 > Installation - How to Use the Dual Slides



- Press the handle button and gently slide out the drawer.



- Flip up the LCD to a suitable angle.



- Operate the LCD console drawer.

< 1.3 > Installation - How to Use the Dual Slides



- Flip down the front panel.

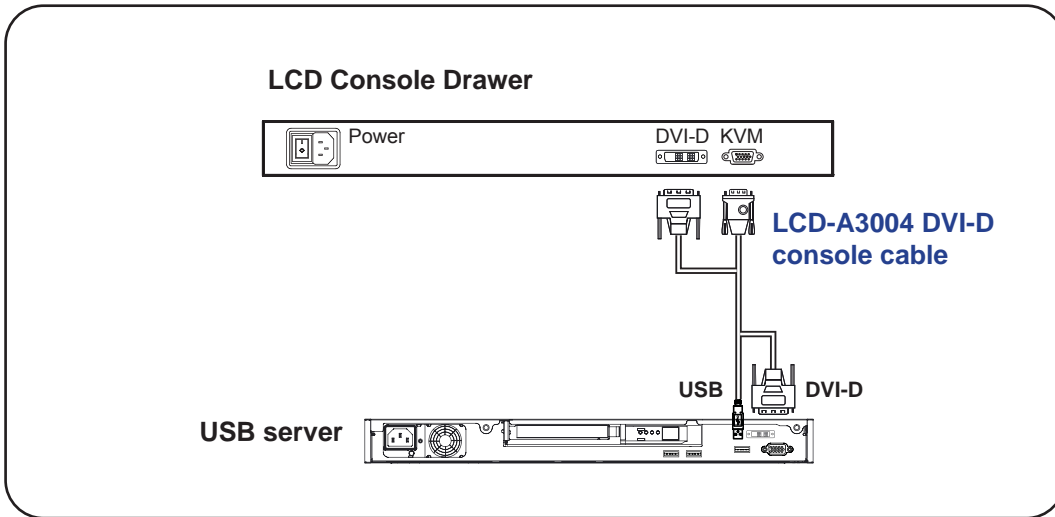


- Press the handle button and gently push back the drawer into the rack.

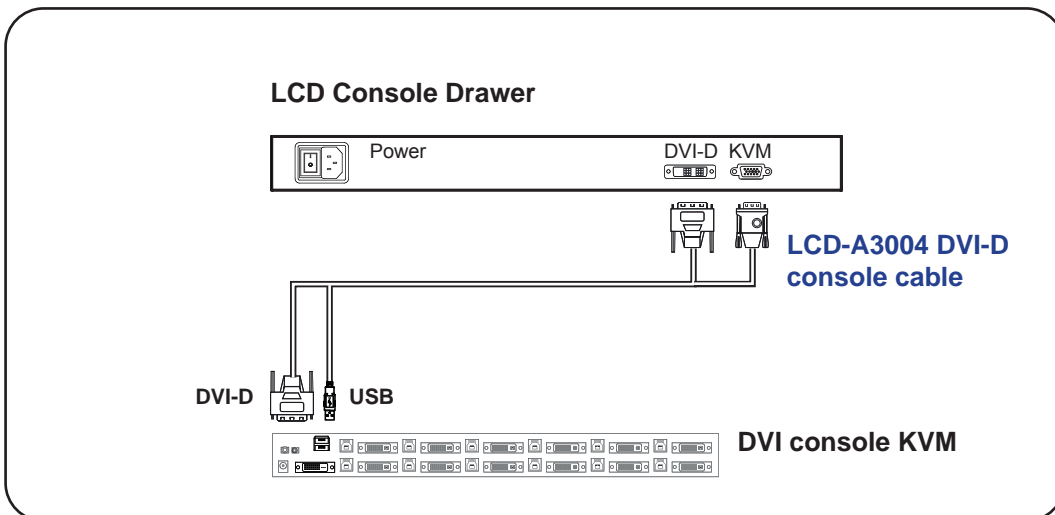


- Return the LCD console drawer to park position.

< 1.4 > Connection to **USB Server** via LCD-A3004 cable

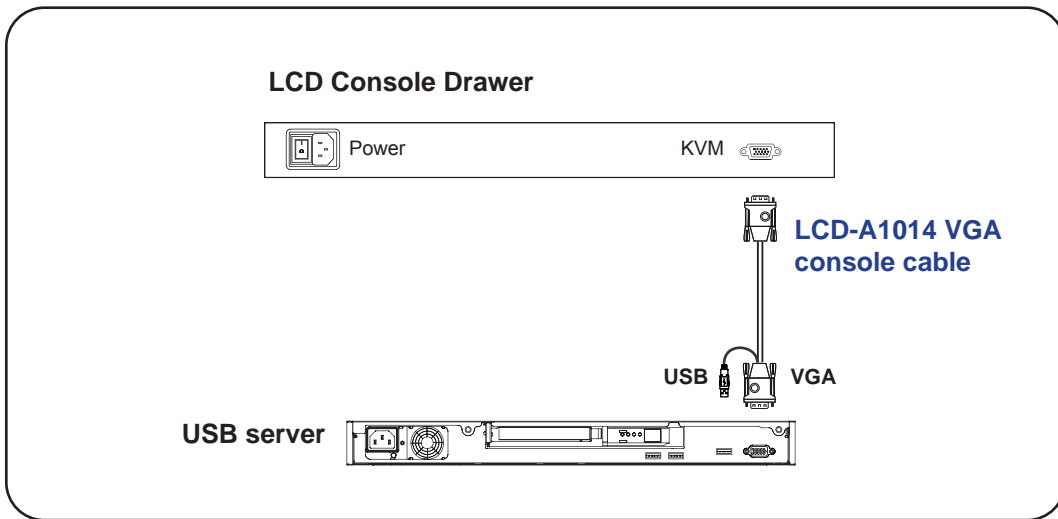


< 1.4 > Connection to **external KVM** via LCD-A3004 cable

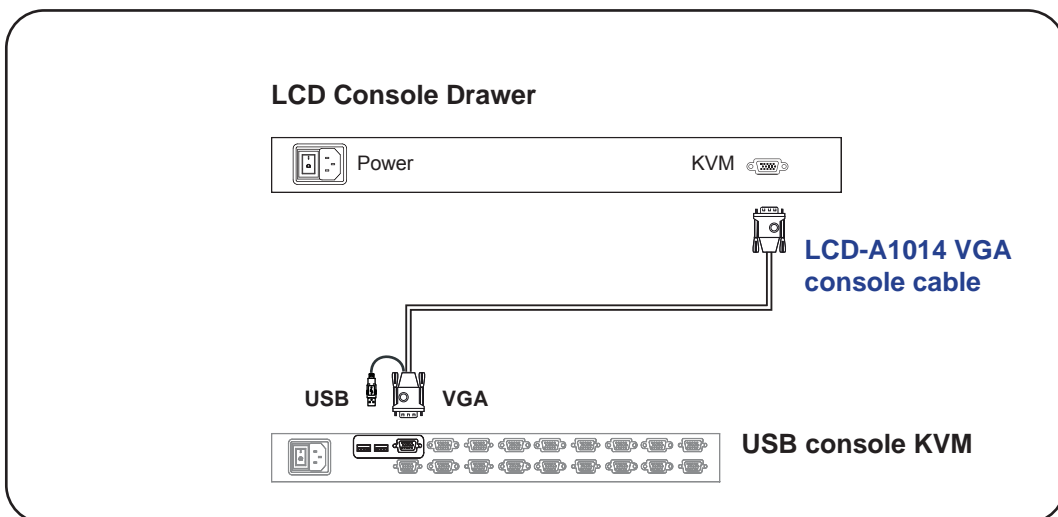


Caution : The LCD console drawer is hot-pluggable, but components of connected devices, such as the servers and KVM switch, may not be hot-pluggable. Plugging and unplugging cables while servers and KVM are powered on may cause irreversible damage to the servers, KVM and LCD console drawer. Before attempting to connect anything to the LCD console drawer, we suggest turning off the power to all devices. Apply power to connected devices again only after the LCD console drawer is receiving power. The company is not responsible for damage caused in this way.

< 1.4 > Connection to **USB Server** via LCD-A1014 cable



< 1.4 > Connection to **external KVM** via LCD-A1014 cable



Caution : The LCD console drawer is hot-pluggable, but components of connected devices, such as the servers and KVM switch, may not be hot-pluggable. Plugging and unplugging cables while servers and KVM are powered on may cause irreversible damage to the servers, KVM and LCD console drawer. Before attempting to connect anything to the LCD console drawer, we suggest turning off the power to all devices. Apply power to connected devices again only after the LCD console drawer is receiving power. The company is not responsible for damage caused in this way.

< Part 2 >

< 2.1 > Product Specifications

| LCD Panel | | LCD1U17-21 | LCD1U19-23 |
|----------------|--------------------------------|------------------------|------------------------|
| | Manufacturer | AUO | AUO |
| | Panel Size (diagonal) | 17-inch TFT color LCD | 19-inch TFT color LCD |
| | Display pixel (dots x lines) | 1152 x 900 (Direct) | 1152 x 900 (Direct) |
| | | 1280 x 1024 (Native) | 1280 x 1024 (Native) |
| | Brightness (typ.) | 250 | 250 |
| | Contrast Ratio (typ.) | 1000:1 | 1000:1 |
| | Color | 16.7 M | 16.7 M |
| | Viewing Angle (L/R/U/D) | 85/85/80/80 | 85/85/80/80 |
| | Response Time (ms) | 5 | 5 |
| | Dot pitch (mm) | 0.264 | 0.294 |
| | Display Area (mm) | 337.92H x 270.33V | 376.32H x 301.06V |
| | Surface treatment | Haze 25%, Hard-coating | |
| | Surface hardness | 3H | 3H |
| Backlight Type | LED | LED | |
| MTBF (hrs) | 30,000 | 30,000 | |

| Video Connectivity | Digital | DVI | DVI-D, TMDS single link |
|--------------------|-----------------|-----------|---------------------------|
| | Analog | VGA | Analog 0.7Vp-p |
| | Plug & Play | DVI / VGA | VESA EDID structure 1.3 |
| | Synchronization | VGA | Separate, Composite & SOG |

| Power | Power Supply | Range | Auto-sensing 100 to 240VAC, 50 / 60Hz |
|-------------------|--|-------------------|---------------------------------------|
| | Power Consumption for Single Console | Screen ON | Max. 25W |
| | | Power saving mode | Max. 4W |
| | | Power button OFF | Max. 1W |
| | Power Consumption with KVM integration | Screen ON | Max. 55W |
| Power saving mode | | Max. 34W | |

*For details, please refer to our KVM rear kit user manuals

| Regulatory | Safety | cUL, FCC & CE certified |
|------------|---------------|-------------------------|
| | Environmental | RoHS2 & REACH compliant |

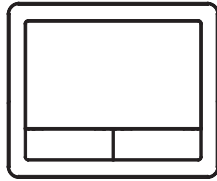
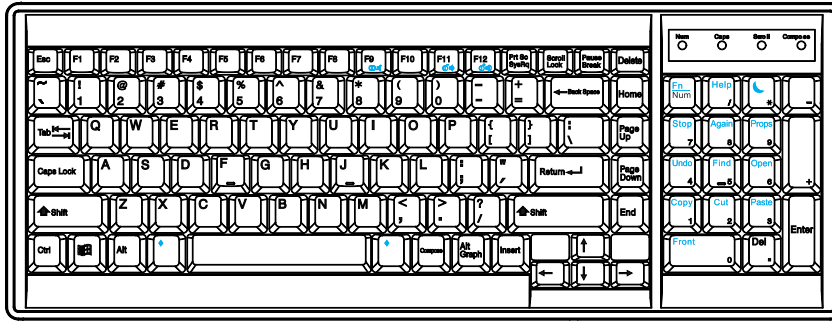
| | | | |
|---------------------------------|-------------------------|-------------|----------------------------------|
| Environmental Conditions | Operating | Temperature | 0 to 55°C degree |
| | | Humidity | 20~90%, non-condensing |
| | | Altitude | 16,000 ft |
| | Storage / Non-operating | Temperature | -20 to 60°C degree |
| | | Humidity | 5~90%, non-condensing |
| | | Altitude | 40,000 ft |
| | | Shock | 10G acceleration (11ms duration) |
| | | Vibration | 5~500Hz 1G RMS random |

| | | | |
|-------------------------------|-----------------------|--|--|
| Physical Specification | | LCD1U17-21 | LCD1U19-23 |
| | Product (W x D x H) | 441.6 x 650 x 44 mm 17.4 x 25.6 x 1.73 inch | 441.6 x 650 x 44 mm 17.4 x 25.6 x 1.73 inch |
| | Net Weight | 12.6 kgs / 27.7 lbs | 13.2 kgs / 29 lbs |

| | | | |
|--------------------------|-------------------|-----------|-----------------------------|
| Applicable Format | DVI-D / VGA Input | PC Signal | 1152 x 900 x 66Hz |
| | | | 1280 x 1024 x 60 / 75Hz |
| | | | 1280 x 960 x 60Hz |
| | | | 1280 x 760 x 60 / 75Hz |
| | | | 1152 x 864 x 75Hz |
| | | | 1024 x 768 x 60 / 70 / 75Hz |
| | | | 848 x 480 x 60Hz |
| | | | 800 x 600 x 60 / 72 / 75Hz |
| | | | 720 x 400 x 70Hz |
| | | | 640 x 480 x 60 / 72 / 75Hz |
| | | | 640 x 400 x 70Hz |
| 640 x 350 x 70Hz | | | |

< 2.2 > Keyboard / Mouse Specifications

Sn SUN keyboard integrated with touchpad



SUN keyboard integrated with touchpad **SOLARIS®**

- Incorporates SUN keys, including Stop, Cut, Paste, Compose, Copy and Help
- 104 key notepad keyboard with full numerical pad and SUN function
- USB interface

| | |
|----------------------------|---------------------------------|
| Key force | 55 ± 5g |
| Travelling distance | 3 ± 0.3mm |
| Switch life | > 10 million life cycle time |
| OS support | Windows / Linux / Unix / Mac OS |

Supporting layouts

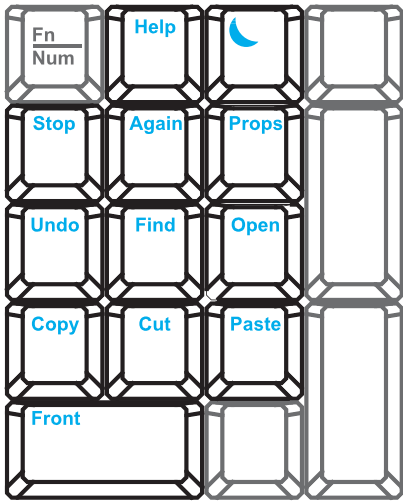
America



United States

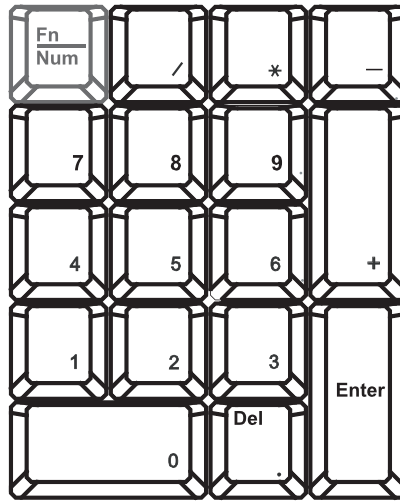
< 2.2 > Keyboard / Mouse Specifications

How to Use "SUN" Keyboard



Num LED in Off mode

Key pad behaves as a SUN Solar system administration command mode

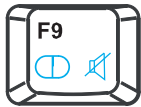


Num LED in Green mode

Key pad behaves as a normal key pad mode

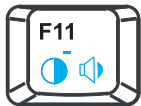
Audio / Display Keys

* Please ask your supplier for full details



F9

Audio : Mute
Display : Degauss



F11

Audio : Decrease volume
Display : Decrease contrast

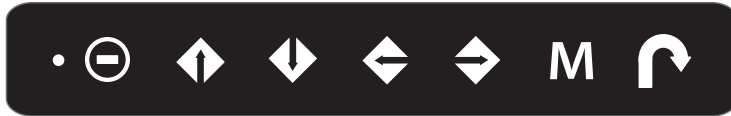


F12

Audio : Increase volume
Display : Increase contrast

< 2.3 > On-screen Display Operation (OSD)

- Power light
- Green = On
- Orange = Power saving



| Membrane Switch | Function |
|-----------------|--|
| | Power on / off LCD |
| | Display the OSD menu |
| | Scrolls through menu options and adjusts the displayed control (To auto adjustment by pressing the button for 5 seconds) |
| | Exit the OSD screen Toggle analog, digital & video connection (DVI-D and video options only) |

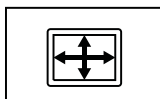
Ver: G56SN20SSTD701 1024 x 768 59.8Hz

| | |
|---|--|
| | Image |
| | Brightness 50 |
| | Contrast 50 |
| | Color Temp User |
| | Red 255 |
| | Green 255 |
| | Blue 255 |
| | |
| | |
| | |
| | |
| Adjust: ⬅➡ Select: ⬆⬇ Set: ●/■ Exit: ↶ | |

OSD Configuration Page



Image:
for the brightness, contrast, color temp, red, green, and blue



Geometry:
for the auto adjust, H position, V position, phase and clock



Video:
for the colour, tint, sharpness, noise reduction, DCDi and TV Setup



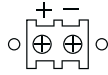
Audio:
for volume, bass, treble, balance, AVL and mute



Misc:
for the language, OSD position, graphic mode, ratio, reset and timer

< Part 3 >

< 3.1 > Options : DC Power



| Model | 12V | 24V | 48V | 125V | 250V |
|----------------------|---------|----------|----------|-----------|------------|
| Input rating | | | | | |
| Input voltage: | 12-Volt | 24-Volt | 48-Volt | 110-Volt | 300-Volt |
| Input range: | 9 ~ 18V | 18 ~ 36V | 36 ~ 75V | 66 ~ 160V | 180 ~ 425V |
| Input current | | | | | |
| - No load | 50 mA | 50 mA | 50 mA | 35 mA | 10 mA |
| - Full load | 4950 mA | 2450 mA | 1220 mA | 749 mA | 600 mA |
| Output rating | | | | | |
| Output voltage: | 12-Volt | 12-Volt | 12-Volt | 12-Volt | 12-Volt |
| Output current: | 4.16A | 4.16A | 4.16A | 6.25A | 12.5A |
| Efficiency | 84% | 85% | 85% | 91% | 86% |

DC power





*** For DC power option :


(1) If the unit with LCD, **earthing** may be required 


(2) DC option excludes AC power adapter and power cord.


< Part. 4 > KVM Integration

| Matrix Cat6 KVM  | Local | Remote | <i>IP</i> | 8-port | 16-port | 32-port |
|--|-------|--------|-----------|--------|-------------|-------------|
| | 1 | 1 | 1 | - | -MU163IP | -MU323IP |
| | 1 | 1 | 2 | - | -MUIP164IP2 | -MUIP324IP2 |
| | 1 | 1 | 0 | - | -MU162 | -MU322 |
| | 1 | 2 | 0 | - | -MU163 | -MU323 |
| | 1 | 3 | 0 | - | -MU164 | -MU304 |

| Combo Cat6 KVM  | Local | Remote | <i>IP</i> | 8-port | 16-port | 32-port |
|---|-------|--------|-----------|-----------|------------|------------|
| | 1 | 0 | 1 | -U8KVM2IP | -U16KVM2IP | -U32KVM2IP |
| | 1 | 1 | 0 | -U8KVM2 | -U16KVM2 | -U32KVM2 |
| 1 | 0 | 0 | -U8KVM | -U16KVM | -U32KVM | |

| Matrix DB-15 KVM  | Local | Remote | <i>IP</i> | 8-port | 16-port | 32-port |
|---|-------|--------|-----------|---------|----------|---------|
| | 1 | 1 | 1 | -M83IP | -M163IP | - |
| | 1 | 1 | 2 | -M84IP2 | -M164IP2 | - |
| | 1 | 1 | 0 | -M82 | -M162 | - |
| | 1 | 2 | 0 | -M83 | -M163 | - |
| 1 | 3 | 0 | -M84 | -M164 | - | |

| Combo DB-15 KVM  | Local | Remote | <i>IP</i> | 8-port | 16-port | 32-port |
|--|-------|--------|-----------|----------|-----------|---------|
| | 1 | 0 | 1 | -8KVM2IP | -16KVM2IP | - |
| | 1 | 1 | 0 | -8KVM2 | -16KVM2 | - |
| 1 | 0 | 0 | -8KVM-u | -16KVM-u | - | |

| DVI-D KVM  | Local | Remote | <i>IP</i> | 12-port | - | - |
|--|-------|--------|-----------|---------|---|---|
| | 1 | 0 | 0 | -12DVI | - | - |

| Model | Product Dimension (W x D x H) | Net Weight |
|---------------------|--|--------------------|
| LCD1U17-21 with KVM | 441.6 x 650 x 44 mm 17.4 x 25.6 x 1.73" | 13.6 kg 29.9 lb |
| LCD1U19-23 with KVM | 441.6 x 650 x 44 mm 17.4 x 25.6 x 1.73" | 14.2 kg 31.2 lb |

The company reserves the right to modify product specifications without prior notice and assumes no responsibility for any error which may appear in this publication.

All brand names, logo and registered trademarks are properties of their respective owners.

Copyright 2017 Synergy Global Technology Inc All rights reserved.