

# 1U RACK MOUNT 19" TFT CONSOLE



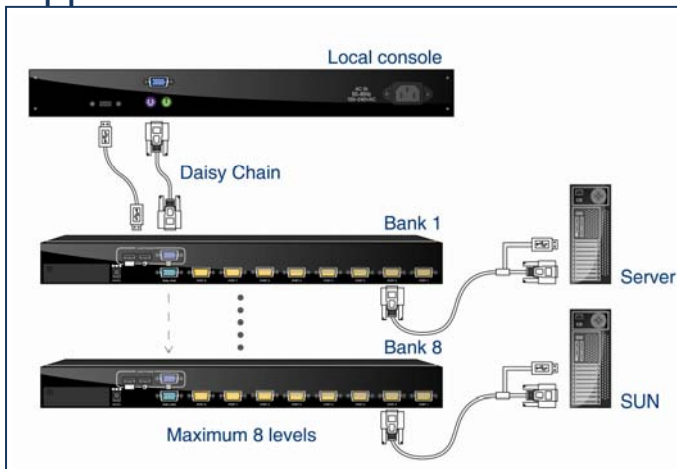
LCD1U19-05-co provides industrial level input solution to optimize your space utilization by controlling your system in just 1U rack space with PS2 & USB combo interface.



## Features

- Dual rails for independent panel and keyboard tray
- Hidden handle for keyboard tray
- Support Sun native resolution
- Support 17 various keyboard languages
- Bright Active Matrix TFT display
- OSD function (On Screen Display) for LCD display
- Durable keyboards (touchpad or trackball)
- Panel protected by tempered glass
- Audio function (optional)
- DC power (optional)

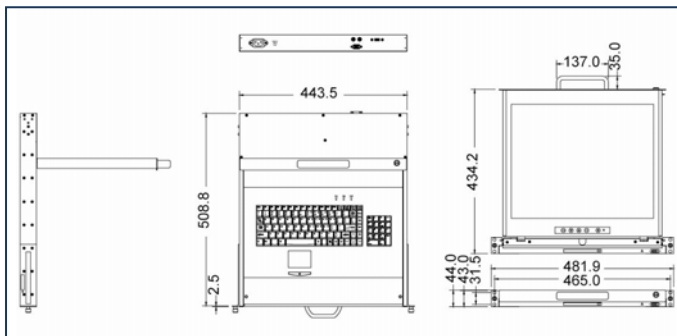
## Application



## Specification

Model Name	LCD1U19-05-co
Number of ports	1
Dimension	511.3 x 443.5 x 44 mm / 20.1 x 17.5 x 1.7 inches
Net Weight	12.5 Kg / 27.6 lbs
Display Size	19 inches
Panel Type	Active Matrix TFT LCD
Resolution Capabilities	Maximum Resolution up to 1280 x 1024 (SXGA)
Pixel Pitch	Supports 0.098 mm x 0.294 mm
Viewing Angle (CR>10)	Right-Left view 140° (typical) Up-Down View 140° (typical)
Contrast Ratio	500 : 1
Brightness	White 250 cd/m <sup>2</sup> (Center 1 point typical)
Back Light	Four Lamps for Back Light
Supported Colors	16.2M Colors (6-bit with FRC)
Response Time	Rising Time 2 ms, Decay Time 10 ms
Operating System	Dos, Windows (3.1, 9x, 2000, NT4, ME, XP, 2003 Server) Linux, Novell 3.12-6, HP UX, SUN
Multi Platform	Support PS/2 and USB
System Cables	VGA + PS/2 x 2 cable or VGA + USB x 1 cable
Keyboard Mouse	106 key PS/2 keyboard with touch pad
Sync	45 ~ 80 KHz
Power Source	100 ~ 240 VAC input
Power Consumption	25 W, 21.05 W for Panel
Temperature	Operate 0 ~ 50 °C / 32 ~ 122 °F Storage -20 ~ 60 °C / -4 ~ 140 °F
Humidity	10% ~ 90% RH
Chassis Construction	Heavy duty steel materials
Keyboard Language	US, UK, German, French, Spanish, Italian, Portuguese, Dutch, Swiss, Belgium, Swedish, Norwegian, Danish, Japanese, Mandarin, Russian, Hebrew

## Dimension



## Ordering Optional

- Color (Black / Beige / OEM color)
- Cherry keyboard with trackball( PS/2 only)
- Touch screen (USB or RS232)
- DC power ( - 48V ~ + 48V / + - 12V)
- USB interface
- Additional SUN function key
- Rear bracket extension up to 1030mm
- Detachable keyboard plate
- Signal cable 1.8 m / 3.0 m / 5.0 m (6 ft / 10 ft / 15 ft)
- Audio function
- DVI interface

# 1U Rack Mount 19" TFT Console with 8 Ports Combo-free KVM Switch



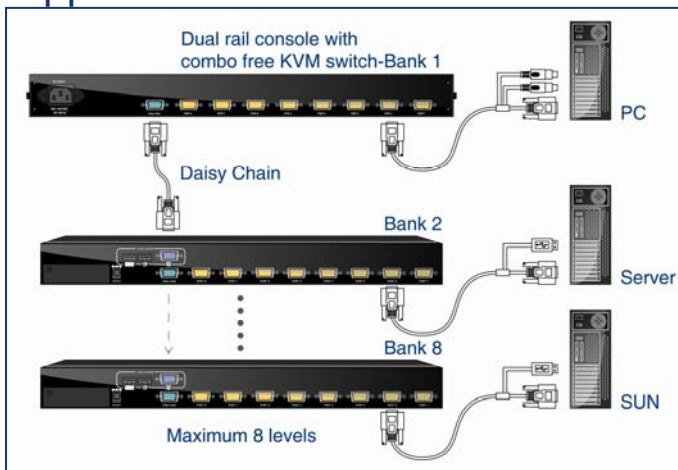
LCD1U19-05-8kvm-co provides industrial level input solution to optimize your space utilization by controlling your system in just 1U rack space. You can control 8 platforms by using built-in KVM switch and easily expand the connections up to 8 levels with the combination of KVM switch boxes.



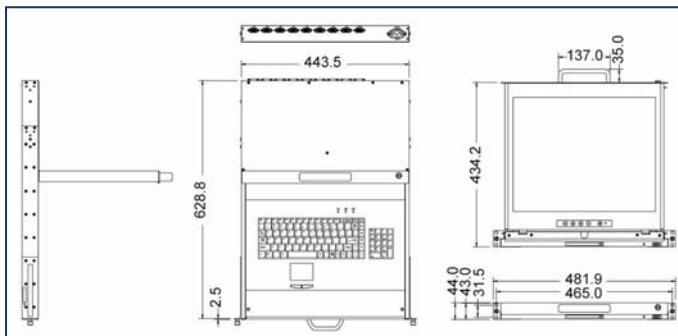
## Features

- Dual rails for independent panel and keyboard tray
- Hidden handle for keyboard tray
- Support Sun native resolution
- Support 17 various keyboard languages
- Bright Active Matrix TFT display
- OSD function (On Screen Display) for LCD display
- Durable keyboards (touchpad or trackball)
- Panel protected by tempered glass
- DC power (optional)

## Application



## Dimension



## Ordering Optional

- Color (Black / Beige / OEM color)
- Cherry keyboard with trackball (PS/2 only)
- DC power ( - 48V ~ + 48V / + - 12V )
- Additional SUN function key
- Rear bracket extension up to 1030mm
- Detachable keyboard plate
- Signal cable 1.8 m / 3.0 m / 5.0 m (6 ft / 10 ft / 15 ft)

## Specification

Model Name	LCD1U19-05-8kvm-co
Dimension	631.3 x 443.5 x 44 mm / 24.9 x 17.5 x 1.7 inches
Net Weight	14.0 Kg / 30.9 lbs
Display Size	19 inches
Panel Type	Active Matrix TFT LCD
Resolution Capabilities	Maximum Resolution up to 1280 x 1024 (SXGA)
Pixel Pitch	Supports 0.098 mm x 0.294 mm
Viewing Angle (CR>10)	Right-Left view 140° (typical) Up-Down View 140° (typical)
Contrast Ratio	500 : 1
Brightness	White 250 cd/m <sup>2</sup> (Center 1 point typical)
Back Light	Four Lamps for Back Light
Supported Colors	16.2M Colors (6-bit with FRC)
Response Time	Rising Time 2 ms, Decay Time 10 ms
Operating System	Dos, Windows (3.1, 9x, 2000, NT4, ME, XP, 2003 Server) Linux, Novell 3.12-6, HP UX, SUN
Multi Platform	Support PS/2 and USB
System Cables	VGA + PS/2 x 2 cable or VGA + USB x 1 cable
Keyboard Mouse	106 key PS/2 keyboard with touch pad
Sync	45 ~ 80 KHz
Power Source	100 ~ 240 VAC input
Power Consumption	25 W, 21.05 W for Panel
Temperature	Operate 0 ~ 50 °C / 32 ~ 122 °F Storage -20 ~ 60 °C / -4 ~ 140 °F
Humidity	10% ~ 90% RH
Chassis Construction	Heavy duty steel materials
Keyboard Language	US, UK, German, French, Spanish, Italian, Portuguese, Dutch, Swiss, Belgium, Swedish, Norwegian, Danish, Japanese, Mandarin, Russian, Hebrew
KVM switch	
PC Port Connector (All Female Types)	D-Sub 15
PC Ports	8
Max. Distance (KVM switch -- Host)	5 m (15 ft)
Daisy Chain Port	Support Daisy Chain function with 8-layer Bus topologies Connector DB15 (Female Type)
PC selection	On Screen Display (OSD) Menu, Hot Key, Push Button
Security	Provide ACL (Access Control List) security function, store up to 8 independent controllable PC lists
Multilingual OSD (On Screen Display) control	8 languages (English, France, German, Spanish, Italian, Russian, Japanese, Chinese)
Keyboard / Mouse Emulation	PS/2 or USB

# 1U Rack Mount 19" TFT Console with 16 Ports Combo-free KVM Switch



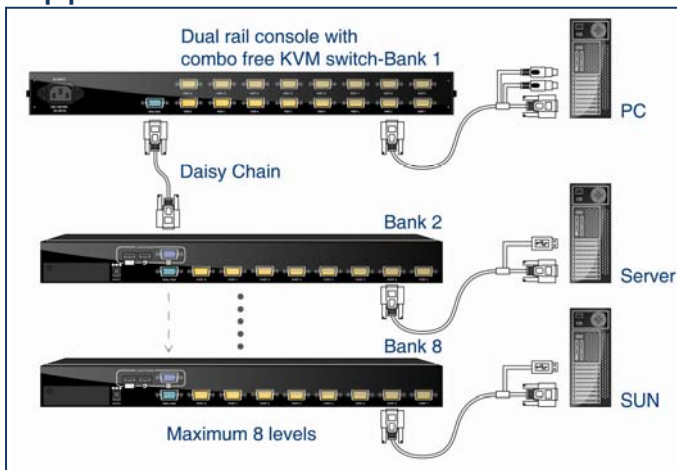
LCD1U19-05-16kvm-co provides industrial level input solution to optimize your space utilization by controlling your system in just 1U rack space. You can control 16 platforms by using built-in KVM switch and easily expand the connections up to 8 levels with the combination of KVM switch boxes.



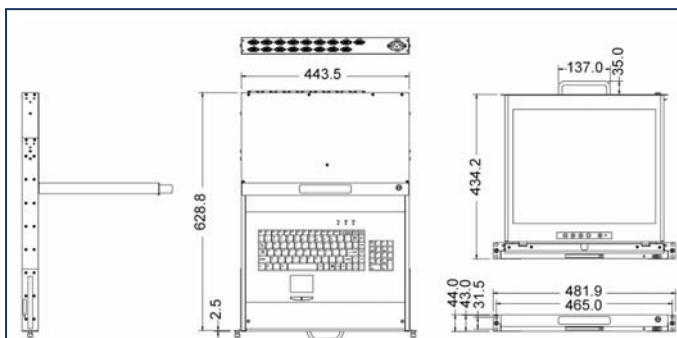
## Features

- Dual rails for independent panel and keyboard tray
- Hidden handle for keyboard tray
- Support Sun native resolution
- Support 17 various keyboard languages
- Bright Active Matrix TFT display
- OSD function (On Screen Display) for LCD display
- Durable keyboards (touchpad or trackball)
- Panel protected by tempered glass
- DC power (optional)

## Application



## Dimension



## Ordering Optional

- Color (Black / Beige / OEM color)
- Cherry keyboard with trackball( PS/2 only)
- DC power ( - 48V ~ + 48V / + - 12V )
- Additional SUN function key
- Rear bracket extension up to 1030mm
- Detachable keyboard plate
- Signal cable 1.8 m / 3.0 m / 5.0 m (6 ft / 10 ft / 15 ft)

## Specification

Model Name	LCD1U19-05-16kvm-co
Dimension	631.3 x 443.5 x 44 mm / 24.9 x 17.5 x 1.7 inches
Net Weight	14.5 Kg / 32.0 lbs
Display Size	19 inches
Panel Type	Active Matrix TFT LCD
Resolution Capabilities	Maximum Resolution up to 1280 x 1024 (SXGA)
Pixel Pitch	Supports 0.098 mm x 0.294 mm
Viewing Angle (CR>10)	Right-Left view 140° (typical) Up-Down View 140° (typical)
Contrast Ratio	500 : 1
Brightness	White 250 cd/m <sup>2</sup> (Center 1 point typical)
Back Light	Four Lamps for Back Light
Supported Colors	16.2M Colors (6-bit with FRC)
Response Time	Rising Time 2 ms, Decay Time 10 ms
Operating System	Dos, Windows (3.1, 9x, 2000, NT4, ME, XP, 2003 Server) Linux, Novell 3.12-6, HP UX, SUN
Multi Platform	Support PS/2 and USB
System Cables	VGA + PS/2 x 2 cable or VGA + USB x 1 cable
Keyboard Mouse	106 key PS/2 keyboard with touch pad
Sync	45 ~ 80 KHz
Power Source	100 ~ 240 VAC input
Power Consumption	25 W, 21.05 W for Panel
Temperature	Operate 0 ~ 50 °C / 32 ~ 122 °F Storage -20 ~ 60 °C / -4 ~ 140 °F
Humidity	10% ~ 90% RH
Chassis Construction	Heavy duty steel materials
Keyboard Language	US, UK, German, French, Spanish, Italian, Portuguese, Dutch, Swiss, Belgium, Swedish, Norwegian, Danish, Japanese, Mandarin, Russian, Hebrew
<b>KVM switch</b>	
PC Port Connector (All Female Types)	D-Sub 15
PC Ports	16
Max. Distance (KVM switch -- Host)	5 m (15 ft)
Daisy Chain Port	Support Daisy Chain function with 8-layer Bus topologies Connector DB15 (Female Type)
PC selection	On Screen Display (OSD) Menu, Hot Key, Push Button
Security	Provide ACL (Access Control List) security function, store up to 8 independent controllable PC lists
Multilingual OSD (On Screen Display) control	8 languages (English, France, German, Spanish, Italian, Russian, Japanese, Chinese)
Keyboard / Mouse Emulation	PS/2 or USB