

## **Mini Redundant Power Supply**

### **400W+400W for IPC-Computer**

**Model No. PS3004 / TC-400R8**

#### Table of content

<b>1. Introduction</b> .....	1
<b>2. Specification</b>	
2.1 Input Voltage.....	1
2.2 DC Output.....	1
2.3 PS-ON (Remote ON/OFF).....	2
2.4 PW-OK(power good signal).....	2
2.5 Efficiency.....	2
2.6 Hold-Up Time.....	2
<b>3. PROTECTION</b>	
3.1 Over Voltage protection.....	2
3.2 Short Circuit Protection.....	2
3.3 Over Power Protection.....	3
3.4 No Load operation.....	3
<b>4. Environment Temperature</b> .....	3
<b>5. Reliability</b> .....	3
<b>6. Agency approvals</b> .....	3
<b>7. EMI/RFI</b> .....	3
<b>8. Instructions</b> .....	3
<b>9. HOT-SWAP Procedures</b> .....	4
<b>10. PINOUTS of connectors</b> .....	4
<b>Color Reference for LED cable</b> .....	4
<b>Main Power Connector</b> .....	5
<b>11. Dimension</b> .....	5

## 1. Introduction

The PS3004 Series products of **Hot-Swap & Power Sharing** redundant Power supply provides increased reliability when integrated a variety of Systems. The PS3004 series is ideally suited to telecommunications and Industrial system, as well as a variety of other applications where system Never shut down i. E. Zero down time.

**PS3004** series redundant power supply, it consists of

- \* One of passive Back plane.
- \* One of exothermal enclosure.
- \* Two of compact size power modules with Hot-Pluggable connector made by Germany.
- \* Screw package.
- \* Alarm reset bottom.

### ©Features

- \* PS/2 Size design.
- \* Hot-Swappable & Power Sharing capability. ( Patent no. 136053 )
- \* Auto Select AC input.

## 2. Specification

2.1 AC Input Voltage: 90 to 132 or 180 to 264 auto selectable 47Hz~63 Hz.

2.2 DC Output: 400W maximum

<b>VOLTAGE</b>	<b>+5V</b>	<b>+12V</b>	<b>+3.3V</b>	<b>-12V</b>	<b>-5V</b>	<b>+5Vsb</b>
<b>MAX. LOAD</b>	<b>35A</b>	<b>18A</b>	<b>24A</b>	<b>0.8A</b>	<b>0.5A</b>	<b>2A</b>
<b>MIN. LOAD</b>	<b>3A</b>	<b>2A</b>	<b>0.3A</b>	<b>0.1A</b>	<b>0.1A</b>	<b>0.1A</b>
<b>REGULATION</b>	<b>± 5%</b>	<b>± 5%</b>	<b>± 5%</b>	<b>±10%</b>	<b>±10%</b>	<b>± 5%</b>
<b>RIPPLE(mV)</b>	<b>50</b>	<b>120</b>	<b>50</b>	<b>120</b>	<b>50</b>	<b>50</b>

### Note:

1. The combined total power from +5V and +3.3V shall not exceed 175W.  
The combined total power from +5V and +3.3V & +12V shall not exceed 375W
2. Noise Test – Noise bandwidth is from DC to 20 MHz.
3. Ripple frequencies greater than 1MHz shall be attenuated by the measurement System.
4. Add 0.1uF/10uF capacitor at output connector terminals for ripple and noise measurements.

## 2.3 PS-ON

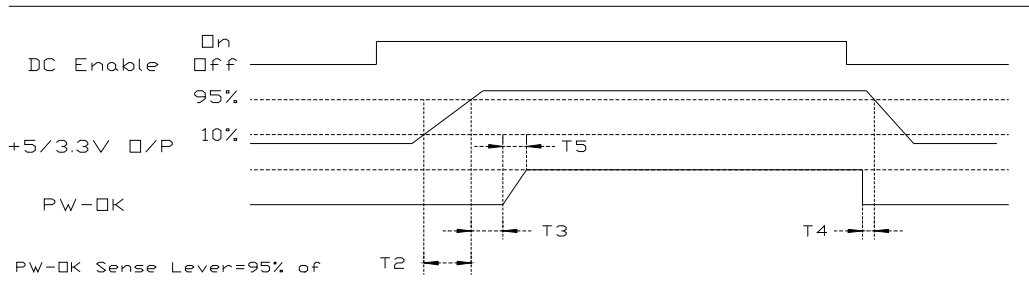
### Remote On/Off Control:

When PS-ON is pulled to TTL Low, the DC output is to be enabled.

When PS-OFF is pulled to TTL high, the DC output is to be disabled.

## 2.4 PW-OK

PW-OK is power good signal and should be asserted high by the power supply to indicate that +5VDC and +3.3VDC output are above the under voltage thresholds of the power supply TTL. compatible signal out with 100ms to 500ms.



Timing of PS-ON, PW-OK, and Germane Voltage Rails

Although there is no requirement to meet specific timing parameters,

The following signal timings are recommended:

$$2\text{ms} \leq T2 \leq 200\text{ms}$$

$$100\text{ms} \leq T3 \leq 500\text{ms}$$

$$T4 > 1\text{ms}$$

$$T5 \leq 10\text{ms}$$

2.5 Efficiency:  $\geq 67\%$  at full load. (Normal Line)

2.6 Hold-Up Time: 16ms at maximum load & normal input voltage.

## 3. PROTECTIONS

### 3.1 OVER-VOLTAGE PROTECTION

Standard on +5.0V output, set at  $6.25\text{VDC} \pm 0.75\text{VDC}$ .

### 3.2 SHORT CIRCUIT PROTECTION

A short circuit placed between the DC Return and the output shall cause

No damage and the power supply shall shutdown.

### 3.3 OVER POWER PROTECTION

The power supply shall shut down when output power exceeds 130% to 160% of full load and require a power on cycle be performed by the operate

### 3.4 NO LOAD OPERATION

No parts shall be damaged on the power supply.

## 4. ENVIRONMENT TEMPERATURE

4.1 Operation Temperature: 0°C to 50°C

4.2 Cooling: By forced air

4.3 Storage Temperature: -20°C to 70°C

4.4 Humidity: 5 to 90% non-condensing.

## 5. RELIABILITY

### 5.1 MTBF OF POWER SUPPLY ELECTRONIS

100,000 hours at full load and 25°C ambient temperature

### 5.2 LIFE EXPECTANCY OF FAN

40,000 hours at 40°C

## 6. AGENCY APPROVALS

UL 1950 QQGQ2

UL 1950 QQGQ8

TUV Rheinland ( EN60950, IEC950 mod )

CB Certification

## 7. EMI /RFI

FCC part 15, Subpart B, Class B

EN55022 CISPR22 Class B, CE Make

EN61000-3-3;1995

EN61000-4-2, -3, -4, -5, -6, -8, -11

## 8. INSTRUCTIONS

The set still works properly even if either unit is removed. The removed unit can't be used in other machinery nor for other purpose. When one unit breaks down, it's LED will blink, buzzer will sound. Push the Reset button and buzzer will stop.

**REDUNDANCY** Offer redundant function for power system and mutually backs up the outputs. A zero transfer time when backup takes place.

**HOT-SWAP** The power system provides a Hot-Swap function. This means when either one of the redundant power supplies fails or breaks down, you can easily replace failed unit without any interference to the system.

**BUZZER** A warning buzzer sounds when any one of the power supplies fails. The warning buzzer is reset table from reset switch either the one in front control panel or the one on the rear side.

**LED'S** The warning LED'S can be found either on the rear side or the control panel of the power system. Tells if one of the two power supplies has failed, by LED blinking.

**HOT-PLUGGABLE** The power system provides a Hot-Pluggable function  
 This method allows the power units in the Disk Array/  
 File Server to be removed or inserted very easily without

### 9.HOT-SWAP PROCEDURES

Please refer to the followings when either one power supply unit is found defective.

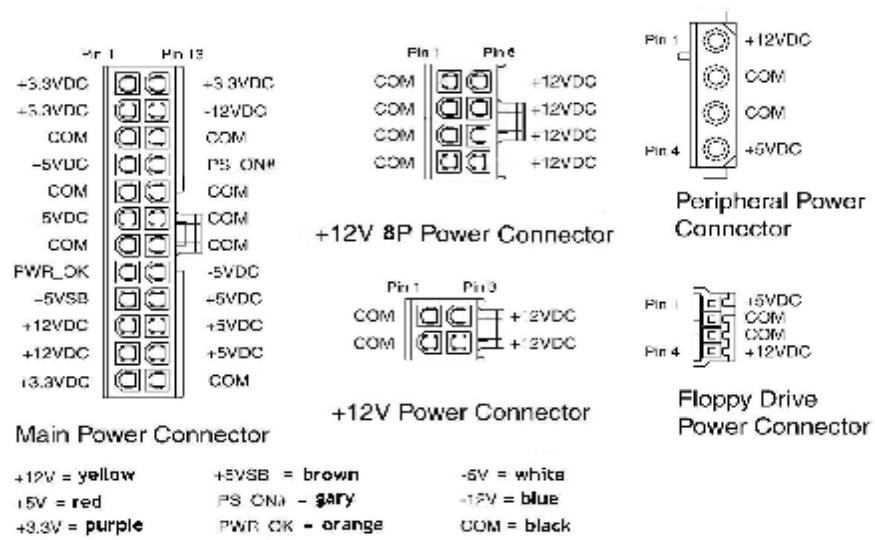
- A) Locate** the defective power supply by examining the individual LED on the power unit or the LED on the front control panel if LED is Blinking.
- B) Unlock & Remove** the defective power supply unit.
- C) Replace** a new GOOD power supply unit, Insert the power supply into the power system chassis in position & it will auto Lock-up.
- D) Turn on** the new power supply unit.
- E) Check** the module LED which indicate the power and LED of total power system status, Both LED shall Have steady life.

### 10.PINOUTS OF CONNECTORS

7 x 5.25", 1 x 3.5", 1 x ATX-24 or 20Pin (for motherboard), 1 x AUX Power Connector  
 1 x +12V Power Connector

**\* Color Reference for LED cable**

- POWER # 1 LED Cable                      Brown / with
- POWER # 2 LED Cable                      Red / with
- MAIN POWER LED Cable                    Green / with



## 11.DIMENSION

PS3004 L 174 x W150 x H 86 mm

