

LCD1U15-15-8KVM

LCD/Keyboard/Mouse All In one

User's manual

Table of Contents

1. Function and Information

1.1 Product Overview

1.1.1 Front View

1.1.2 Rear View

1.2 Product Feature

1.3 Product Specifications

1.4 Mechanical Dimensions

2. Installation

2.1 Rack Mounting

2.2 Cable Connection

3. Operation

4. Safety and Environment

5. KVM Session

6. Packing List



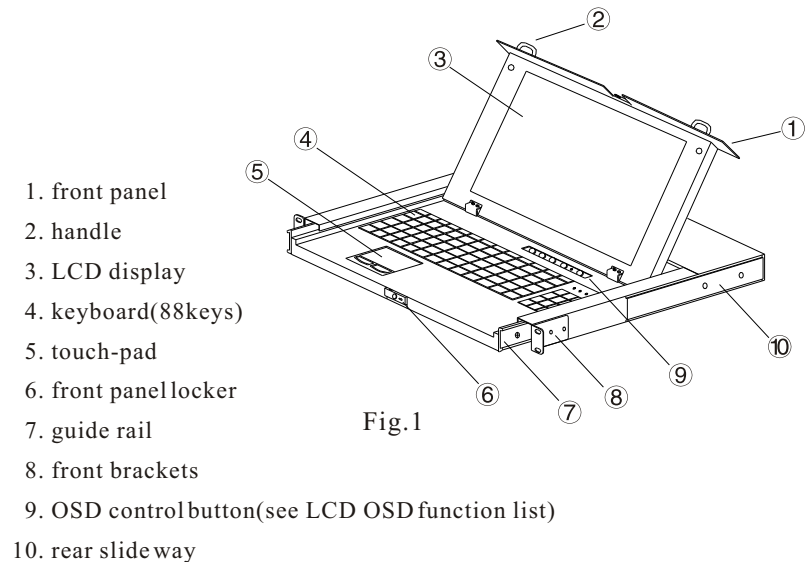
Warning:

1. Read this guide thoroughly and carefully before of use
2. Power off your computer before any installation/ un-installation.
3. Must be pull out the console before opening front panel for use

1. Function and Information

1.1 Product Overview

1.1.1 Front View(see fig.1)



LCD OSD function list

Items	Description
LCD POWER	Turn on and off the monitor power
MENU SELECT	Calls OSD menu and select the function to be adjusted
EXIT	Exit from the OSD function or Back to previous menu.
SL-/SL+	Moves the selector left and right on the OSD menu
LED(indicates the status of monitor)	Green: normal; Black: off, Red: power saving mode or disconnection of signal cable

1.1.2 Rear View(see fig.2)

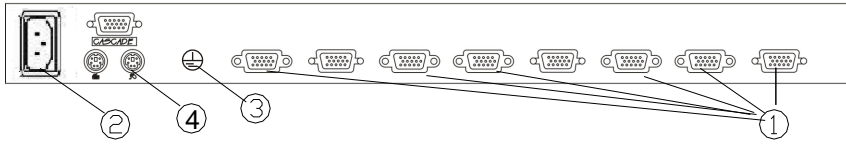


Fig.2

- 1. console port
- 2. power socket
- 3. Gnd \oplus
- 4. cascade port

1.2 Product Features

- *The console is integrated with 15" LCD/keyboard,/touch-pad In 1U high
- * Rack mountable in 19"system rack
- * 15"LCD TFT FlatPanel Display, high contrast,high brightness, high resolution
- * Support PS/2 thinnessKeyboard with 105keys(88+17)
- * Support PS/2 Touch-Pad
- * Front panel lock/ unlock
- * Guide rail automatically lock and unlock

1.3 Product Specification

LCD1U15-15-8KVM Specifications

Item	Specification	Note
LCD TFT Display	Display area	304.1(H)×228.1(V) 15" TFT LCD
	Display colors	16.7M (true)
	Number of pixels	1024×768
	Typical white Luminance	250 nit (typ) 8mA
	Contrast ratio	400: 1
	Pixel pitch	0.297×0.297(mm)
	Power Consumption	20w (power on) <3w (stand by)
	MTBF	LCD>50,000hrs,backlight >30,000hrs
	Key Board	Key number
Interface		PS/2
Keystroke life		10 million
O/S support		Microsoft Windows 9x/me/NT/2000/XP
Touch Pad (with 2 button)	x/y position resolution	>1,000 points/inch(40points/mm)
	Interface	PS/2
	O/S support	Microsoft Windows 9x/me/NT/2000/XP
	Rated life	>1 million uses
Power Supply	Input voltage DC	90~264V AC/12V DC/48W 47Hz ~ 63Hz
	MTPF	>100,000hrs(25°C)
Enclosure	Steel or Aluminium	
Color	Black or optional	
Net Weight	12 kg	
Dimensions	448 × 420 × 42 mm(W×D×H)	
Shipping weight	13.5 kg	
Shipping size	608×672×143 mm (W×D×H)	
Rack mounting depth range	400mm~810 mm	with rear brackets
Temperature angle	0~50°C(Operating)	-20~60°C(Storage)

1.4 Mechanical Dimensions (see fig.3)

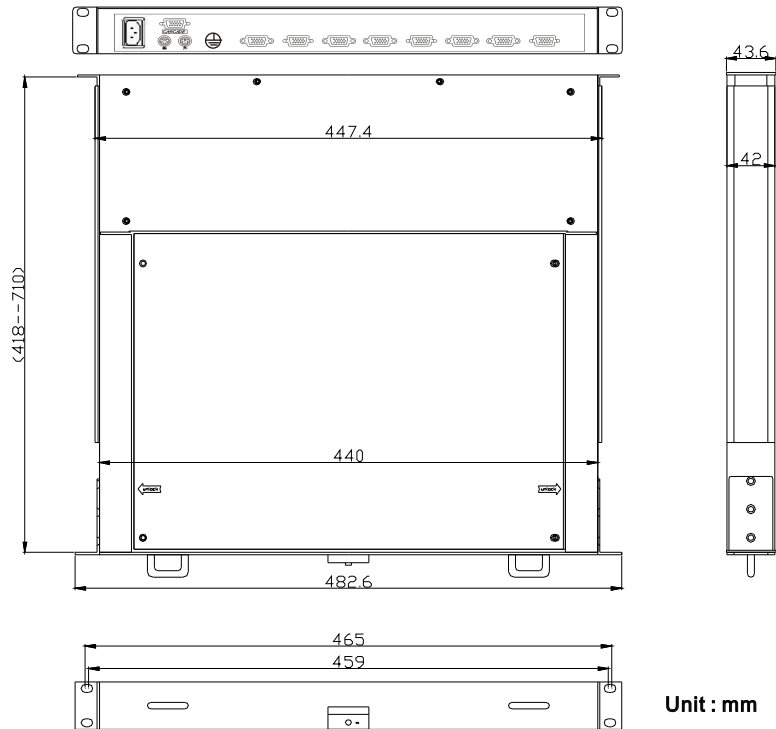


Fig.3

2. Installation

2.1 Rack Mounting

The LCD1U15-15-8KVM-N is meet for rack mounting in a 19" system rack. Push it into the rack from front to rear for installation .then insert the rear mounting brackets into the slide way and secure the unitto the rack with the front and rear brackets, finally screw the front andrear brackets. Rackmounting depth rangeis from 400mm to 810mm(see fig.4)

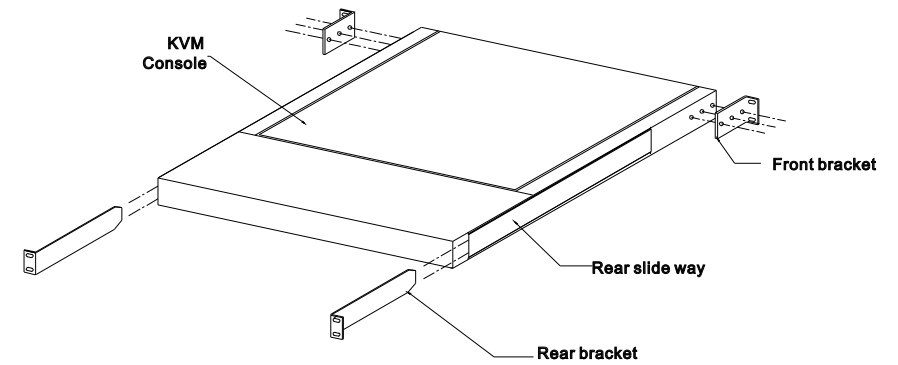


Fig.4

2.2. Cable Connection

KVM CABEL

The KVM cable with HD-15m connector plugs in the console port. The KVM cable with VGA/KB/Mouse connectors links to computer or KVM switch. (See fig.5)

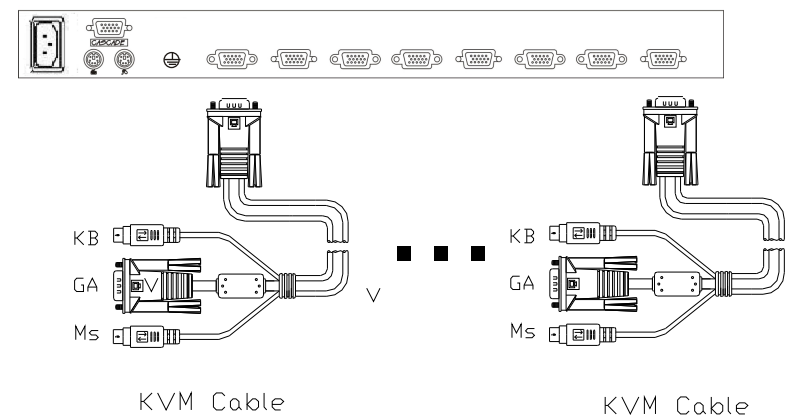


Fig.5

Power Cord

* The AC power cord plugs in power socket see (fig.6)

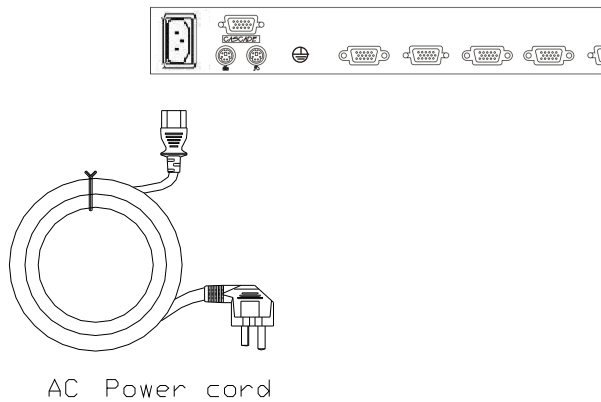


Fig.6

3. Operation**Before of use :**

- * Make sure that all devices on the installation are properly grounded.
- * Make sure that the KVM cable and power cord should be connected correctly

In use:

- * First pull LCD1U15-15-8KVM-N front panel module out and the slide rail is locked automatically; Power is on;
- * Release the front panel locker; (see fig.7)

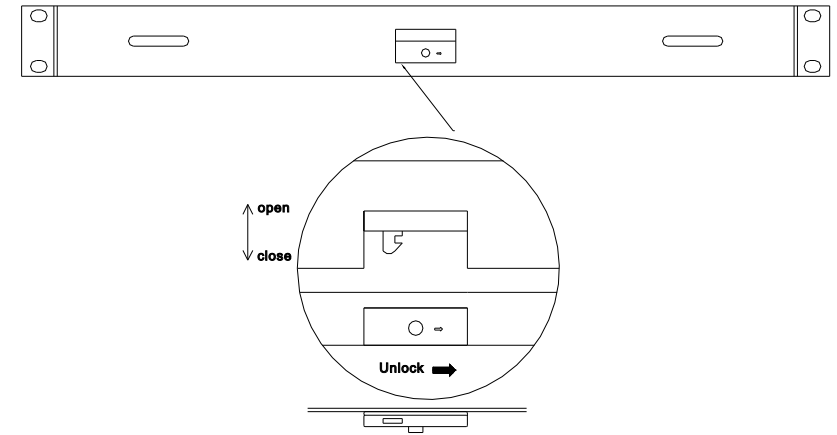


Fig.7

- * After sliding the KVM module out and unlock, flip up the LCD panel for use LCD monitor, keyboard and touch-pad
- * The panel can be Open to 120° for use; (see fig.8)
- * Touch down the LCD POWER key (Red), the LCD power is on, the LED is green.

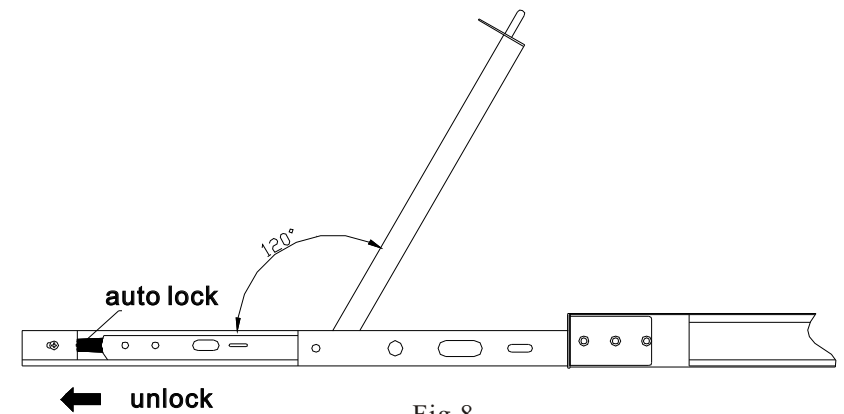


Fig.8

5. KVM Session

Start Up

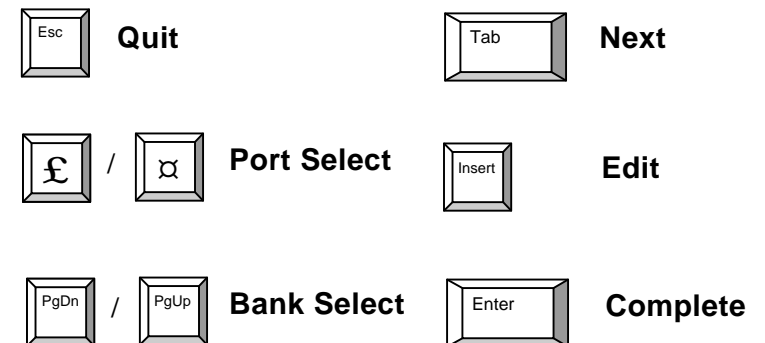
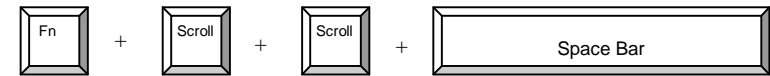
1. The channels that have PC connected and it is switch on will have a flash blue LED on that channel.
2. The blue LED will indicate the selected channel.
3. 7 segments LED will display the bank number.
4. Press HotKey to select the channel.
5. Enter the password, default is "00000000" eight zeros.
6. Otherwise the keyboard & mouse will be locked.

HotKey Command

- Simple key sequence.
- Press "Fn" + "Scroll Lock" twice within 2 seconds and then press "Space Bar"
- Follow with a beep sound, going into the hot key mode.
- Need to key in the hot key within 2 seconds.
- Go back to Operation System Control state.

Hot-key Command Operation

Calling OSD Menu



After use:

- * First turn off the LCD power button in OSD control panel
- * Close down and lock the front panel
- * Release the guide rail lock (see fig.8)
- * Push Front panel module in properly ,the power is off automatically

4. Safety and Environment**Operating Environment**

Item	Long term	Short term
Operating temperature	0~ 40°C	0~ 50°C
Relative humidity	5%~90%	5%~95%

Safety approval : FCC ,CE,UL approved

**6. Packing List****This package contains:**

Item	Description	Quantity	Note
1	Console	1	
2	KVM Connector cable	8 X 6-ft	
3	AC Power Cord	1 X 6-ft	
4	Rack Mounting Kit	1 pair	front brackets
5		1 pair	Rear brackets(L)
6	User Manual	1	