

Modular KVM Switch

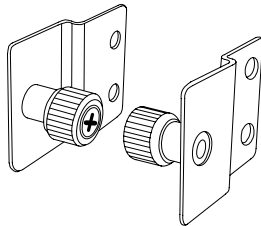
Quick Installation Guide

Notes:

1. Please check all peripherals according the list before installation. To make sure that the whole unit was not damaged and lost during shipping process. If you encounter any problem, please contact your dealer.
2. Before installation, make sure all peripherals and console have been turned off.
3. Reliable grounding of rack-mounted equipment should be maintained. Particular attention should be given to supply connections other than direct connections to the branch circuit.

Hardware kits contents:

1. Bracket A with thumb screw x 2

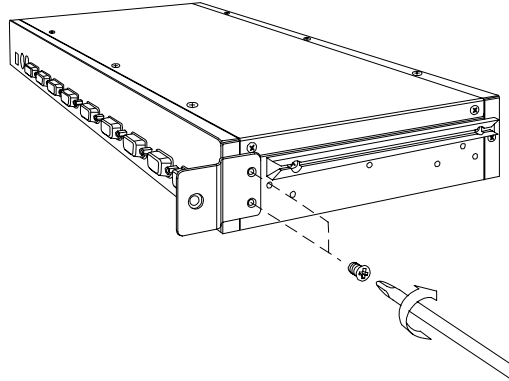


2. Screw (length = 6 mm) x 4



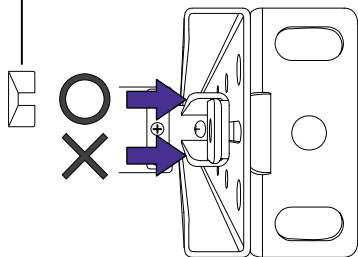
Install modular KVM switch steps:

1. Install two screws (length = 6 mm) to combine bracket A and KVM switch. (Both sides)

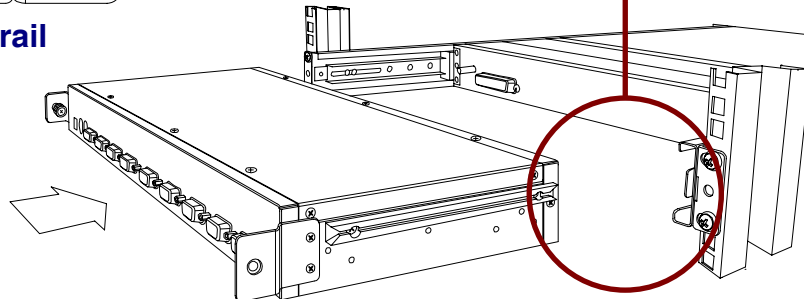


2. Push KVM switch into the rails from rear of cabinet.

plastic rail of KVM switch



rear view of rail



3. Tight thumb screw of bracket A up to fix KVM switch in console (Both sides) and finish installation.

