



LCD1U17-43 is cost efficient industrial level input solution, easy to install and use. It also optimizes your space utilization by maintaining your system in just 1U rack space.

Single  
Rail

17.3"  
TFT LCD

18  
various  
Keyboard

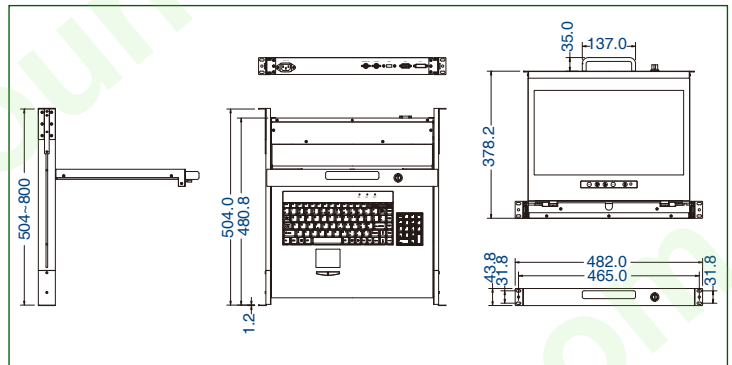
Full  
HD

Full HD  
1920x1080

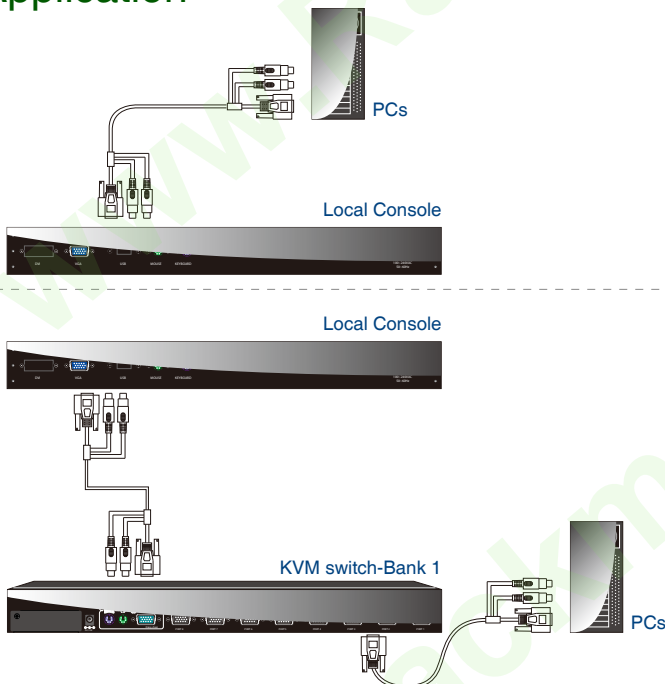
## Features

- Support 1920 x 1080 full HD resolution
- Single rail easy to install and use
- Support 18 various keyboard languages
- Bright Active Matrix TFT display
- OSD function (On Screen Display) for LCD display
- Durable keyboards with touchpad. Optional trackball
- Support USB interface (optional)
- Audio function (optional)
- DC power (optional)
- Support DVI
- Front USB HUB (optional)

## Dimension (Single Port)



## Application



## Specification

Model Name	LCD1U17-43	
Number of ports	1	
Dimension	480.8 x 482 x 43.8 mm / 18.9 x 19 x 1.7 inches	
Net Weight	12 kg / 26.5 lbs	
Display Size	17.3 inches	
Panel Type	Active Matrix TFT LCD	
Resolution Capabilities	Maximum Resolution up to 1920 x 1080 (Full HD)	
Pixel Pitch	Supports 0.1989 mm x 0.1989 mm	
Viewing Angle (CR>10)	Right-Left View 140° (Typ) Up-Down View 120° (Typ)	
Contrast Ratio	650 : 1	
Brightness	White 300 cd/m <sup>2</sup> ( Center 1 point Typ)	
Back Light	Dual Lamps for Back Light	
Response Time	Rising Time 2 ms, Decay Time 6 ms	
Operating System	Dos, Windows (3.1, 9x, 2000, NT4, ME, XP, 2003 Server) Linux, Novell 3.12-6, HP UX, SUN	
Connectors	PC Port / Daisy Chain Connectors	1 x VGA HDDB 15-pin 2 x PS/2 Mini Din 6-pin
	Power Connector	1 x AC Inlet
Signal Cable	VGA , DVI	
Keyboard Mouse	106 key PS/2 keyboard with touch pad	
Sync	45 ~ 80 KHz	
Power Source	100 ~ 240 VAC input	
Power Consumption	8.3W for Panel	
Temperature	Operate 0 ~ 50 °C / 32 ~ 122 °F Storage -20 ~ 60 °C / -4 ~ 140 °F	
Humidity	10% ~ 90% RH	
Chassis Construction	Heavy duty steel materials	
Keyboard Language	US, UK, German, French, Spanish, Italian, Hebrew Portuguese, Dutch, Swiss, Belgium, Swedish, Norwegian, Danish, Japanese, Mandarin, Russian, Arabic	

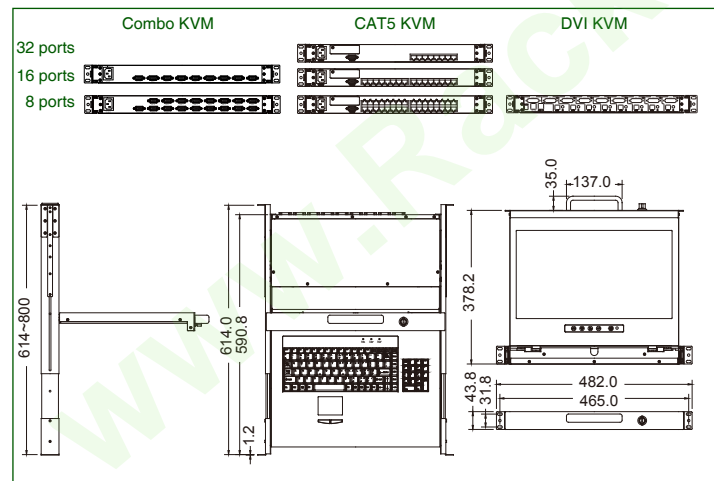
## Options (Single Port)

- Color (Beige / OEM color)
- Cherry keyboard with trackball( PS/2 only)
- DC power ( 12V / 24V / 48V / 110V / 125V )
- USB Keyboard / Mouse
- Rear bracket for extension up to 1,000 mm
- Audio function
- Front USB HUB

# KVM Specification

KVM Switch Version	Combo 8 / 16-port KVM	CAT5 8 / 16 / 32-port KVM	8-port DVI KVM
System Connections	8 / 16	8 / 16 / 32	8
Dimension	590.8 x 482 x 43.8 mm / 23.3 x 19 x 1.7 inches	590.8 x 482 x 43.8 mm / 23.3 x 19 x 1.7 inches	590.8 x 447.5 x 44 mm/23.3 x 17.6 x 1.7 inches
Net Weight	13 kg / 28.7 lbs	13 kg / 28.7 lbs	13 kg / 28.7 lbs
Display Size	17.3 inches	17.3 inches	17.3 inches
Panel Type	Active Matrix TFT LCD	Active Matrix TFT LCD	Active Matrix TFT LCD
Resolution Capabilities	Maximum Resolution up to 1920 x 1080 (Full HD)	Maximum Resolution up to 1920 x 1080 (Full HD)	Maximum resolution up to 1920 x 1080 (Full HD)
Pixel Pitch	Supports 0.1989 mm x 0.1989 mm	Supports 0.1989 mm x 0.1989 mm	Supports 0.1989 mm x 0.1989 mm
Viewing Angle (CR>10)	Right-Left view 140° (Typ) Up-Down View 120° (Typ)	Right-Left view 140° (Typ) Up-Down View 120° (Typ)	Right-Left View 140° (Typ) Up-Down View 120° (Typ)
Contrast Ratio	650 : 1	650 : 1	650 : 1
Brightness	White 300 cd/m <sup>2</sup> (Center 1 point Typ)	White 300 cd/m <sup>2</sup> (Center 1 point Typ)	White 300 cd/m <sup>2</sup>
Back Light	Dual Lamps for Back Light	Dual Lamps for Back Light	Dual Lamps for Back Light
Supported Colors	16.7M Colors (6-bit with FRC)	16.7M Colors (6-bit with FRC)	
Response Time	Rising Time 2 ms, Decay Time 6 ms	Rising Time 2 ms, Decay Time 6 ms	Rising Time 2 ms, Decay Time 6 ms
Operating System	Dos, Windows (3.1, 9x, 2000, NT4, ME, XP, 2003 Server) Linux, Novell 3.12-6, HP UX, SUN	Dos, Windows (3.1, 9x, 2000, NT4, ME, XP, 2003 Server) Linux, Novell 3.12-6, HP UX, SUN	Dos, Microsoft Windows, Netware, Unix, Linux, MAC, SUN
Multi Platform	Support PS/2 and USB	Support PS/2 and USB	USB
System Cables	LCD-A4001	LCD-A2001 / LCD-A2002 / LCD-A2003 (optional)	DVI, USB A-B, audio cable
Keyboard Mouse	106 key PS/2 keyboard with touch pad	106 key PS/2 keyboard with touch pad	106 key PS/2 keyboard with touch pad
Sync	45 ~ 80 KHz	45 ~ 80 KHz	45 ~ 80 KHz
Power Source	100 ~ 240 VAC input	100 ~ 240 VAC input	100 ~ 240 VAC input
Power Consumption	8.3 W for Panel	8.3 W for Panel	8.3W for panel
Temperature	Operate 0 ~ 50 °C / 32 ~ 122 °F Storage -20 ~ 60 °C / -4 ~ 140 °F	Operate 0 ~ 50 °C / 32 ~ 122 °F Storage -20 ~ 60 °C / -4 ~ 140 °F	Operate 0 ~ 50 °C/32 ~ 122 °F Storage -20 ~ 60 °C/-4 ~ 140 °F
Humidity	10% ~ 90% RH	10% ~ 90% RH	10% ~ 90% RH
Chassis Construction	Heavy duty steel materials	Heavy duty steel materials	Heavy duty steel materials
Keyboard Language	US, UK, German, French, Spanish, Italian, Portuguese, Dutch, Swiss, Belgium, Swedish, Norwegian, Danish, Japanese, Mandarin, Russian, Hebrew, Arabic	US, UK, German, French, Spanish, Italian, Portuguese, Dutch, Swiss, Belgium, Swedish, Norwegian, Danish, Japanese, Mandarin, Russian, Hebrew, Arabic	US, UK, German, French, Spanish, Italian, Portuguese, Dutch, Swiss, Belgium, Swedish, Norwegian, Danish, Japanese, Mandarin, Russian, Hebrew, Arabic
Scan Delay Time			5 ~ 100 sec programmable
PC Port Connectors	8 x HDDB-15 pin    16 x HDDB-15 pin	8 x RJ-45    16x RJ-45    32 x RJ-45	8 x DVI + 8 x USB type B + 8 x 3.5mm audio
Console Port Connectors			1 x DVI + 2 x USB 1.1 type A for keyboard/mouse
USB Hub Ports			2 x USB 2.0 type A device hub port
Daisy Chain Connector	1 x HDDB-15 pin	1 x HDDB 15-pin	
Power Connector	1 x AC Inlet	1 x AC Inlet	1 x DC Inlet
Max. Distance (KVM switch -- Host)	10 m (32 feet)	40 m (130 ft.)	
Daisy Chain Port	Support Daisy Chain function with 8-layer Bus topologies.	Support Daisy Chain function with 8-layer Bus topologies.	
PC selection	On Screen Display (OSD) Menu, Hot Key	On Screen Display (OSD) Menu, Hot Key	Hotkey
Security	Provide ACL (Access Control List) security function, store up to 8 independent controllable PC lists	Provide ACL (Access Control List) security function, store up to 8 independent controllable PC lists	
Multilingual OSD (On Screen Display) control	8 languages (English, France, German, Spanish, Italian, Russian, Japanese, Chinese)	8 languages (English, France, German, Spanish, Italian, Russian, Japanese, Chinese)	

## Dimension (with embedded KVM switch)



## Options

- Color (Beige / OEM color)
- Additional SUN function key
- DC power (12V / 24V / 48V / 110V / 125V)
- IP module
- CAT5 module
- Dongle
- KVM extender

## Rear View of DVI KVM

