

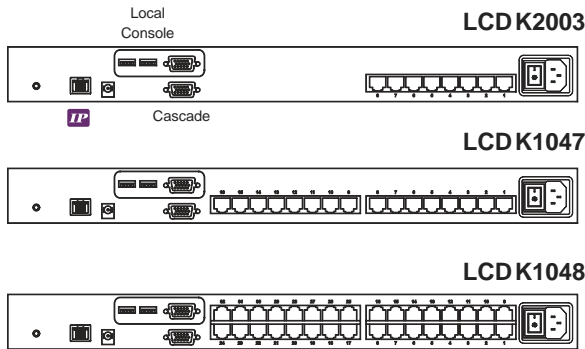


Combo Cat6 IP KVM Benefits

- ▶ Combo Cat6 KVM with either 8, 16 or 32 ports in 1U
- ▶ Up to 40 meters between your servers & KVM ports
- ▶ IP remote access across the world wide web
- ▶ Cascade switches up to 8 levels & Mix switches between Cat6 & Combo DB-15 KVM
- ▶ Support DVI-USB, VGA-USB & VGA-PS/2 server interface
- ▶ Mix PS/2, USB & SUN with Multi-Platform switch capability

Switch Features & Options

- Multi lingual on screen display menu
- Advanced user profiles and configurable OSD hot key combinations
- Dual power with failover
- DC power options : 12V / 24V / 48V / 110 ~ 125V



Ordering Information

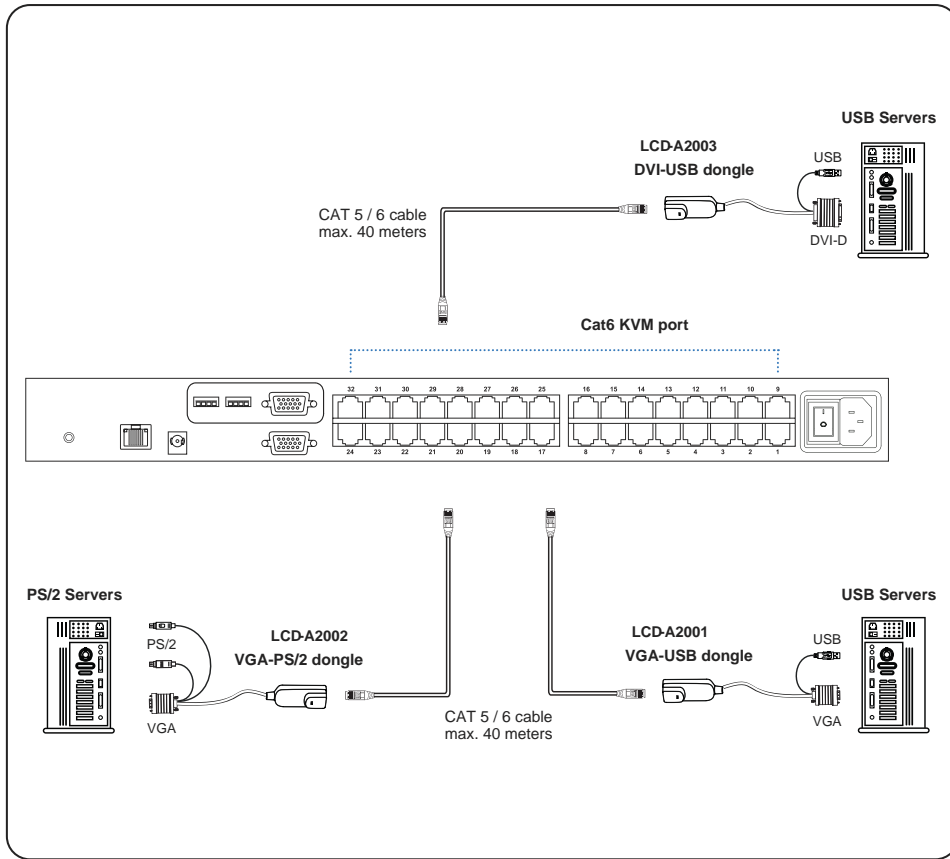
Console	Local	Remote	IP	8-port	16-port	32-port
IP	1	0	1	LCDK2003	LCDK1047	LCDK1048

KVM Specification

<p>■ KVM Port</p> <p>Number of ports : 8, 16 or 32 Connector : RJ-45 Connectivity : DVI-D / VGA connector dongle up to 40 meters (132 feet) via Cat6 / Cat5 cable</p>	
<p>■ Local Console</p> <p>Graphic Connector : 1 x DB-15 VGA Resolution : Up to 1600 x 1200 Input device : 2 x USB type A for keyboard & mouse Resolution support : 4:3 - max. 1600 x 1200</p>	
<p>■ IP Remote Console</p> <p>Connector : RJ45 Ethernet User management : 15-user login, 1 x active user Network protocol : DHCP / BOOTP / DNS Security : SSL v3, RSA, AES, HTTP / HTTPS, CSR Resolution : Up to 1600 x 1200 Browser : IE, Firefox, Safari, Netscape Resolution support : 4:3 - max. 1600 x 1200</p>	
<p>■ Expansion : Up to 256 servers by 8-level cascade</p>	
<p>■ Compatibility</p> <p>Hardware : HP / IBM / Dell PC, Server and Blade Server SUN / Mac OS Support : Windows / Linux / Unix / Mac OS</p>	

<p>■ Power</p> <p>Input : Auto sensing 100 to 240VAC, 50 / 60 Hz Option DC : 12V / 24V / 48V / 110 ~ 125V DC input Consumption : Max. 19W</p>	
<p>■ Regulatory</p> <p>Safety : cUL, FCC & CE certified Environment : RoHS2 & REACH compliant</p>	
<p>■ Environmental</p> <p>Operating temperature : 0 to 55°C degree Storage temperature : -20 to 60°C degree Operating humidity : 20~90%, non-condensing Storage humidity : 5 ~90%, non-condensing Operating altitude : 16,000 ft Non-operating altitude : 40,000 ft Shock : 10G acceleration (11ms duration) Vibration : 5~500Hz 1G RMS random vibration</p>	
<p>■ Product Information</p> <p>Dimension (W x D x H) : 443 x 171 x 44 mm / 17.4 x 6.7 x 1.73 inch Net weight : 3 kg / 6.5 lb</p>	

KVM port & Cat6 dongle connection



LCD-A2003 DVI-USB dongle

- To connect DVI-D connector to the computer's video card
- To connect USB connector to the computer's USB port



LCD-A2001 VGA-USB dongle

- To connect DB-15 connector to the computer's video card
- To connect USB connector to the computer's USB port

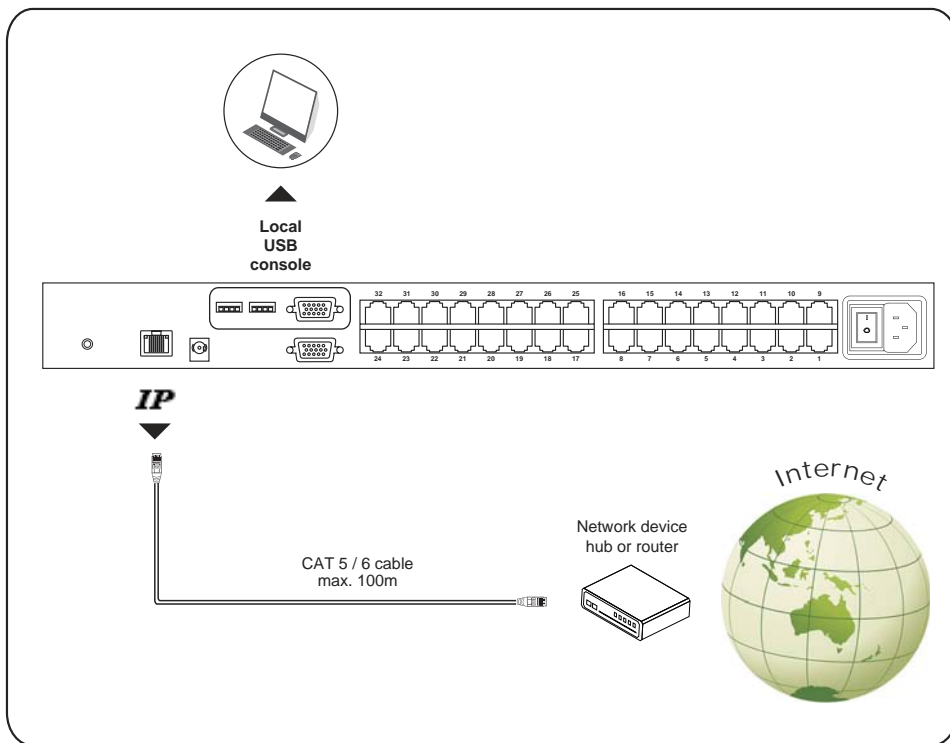


LCD-A2002 VGA-PS/2 dongle

- To connect DB-15 connector to the computer's video card
- To connect PS/2 keyboard connector to the computer's keyboard port
- To connect PS/2 mouse connector to the computer's mouse port

Dongle Resolution Support	Frequency (Hz)
1600 x 1200	60
1280 x 1024	60
1024 x 768	60 / 70 / 75

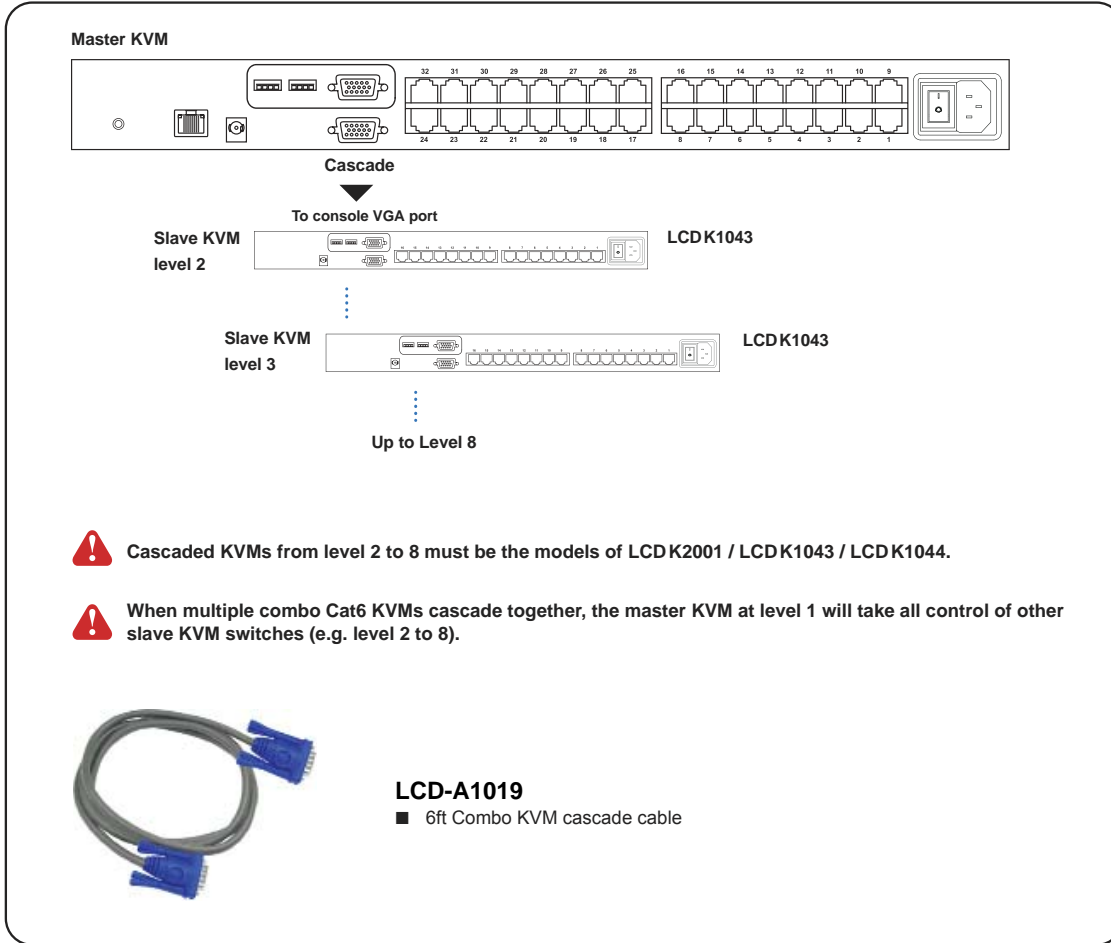
IP & Local console connection



IP Console Resolution Support	Frequency (Hz)
1600 x 1200	60
1280 x 1024	60
1024 x 768	60 / 70 / 75

KVM Cascade

- Cascade up to 8 levels, 256 servers
- Cascading multiple KVM with LCD-A1019 cascade cable.



! For detailed product specifications and options, please download the user manual from the link below : http://www.rackmountmart.com/dataSheet/lcdk2001_2002_2003_1043_1044_1045_1046_1047_1048.pdf