

RA4015 1U Rackmount Fan Trays



Benefits

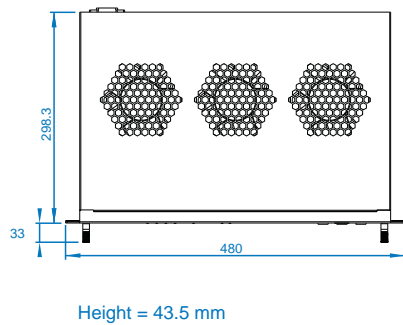
- 1U rackmount fan trays applicable to most rack cabinet
- High airflow rate from 324 ~ 972 CFM for effective heat dissipation
- Fan kit quantity range from 3 to 9, depending on the exhaustion level required
- Universal 100~240 VAC 50/60 Hertz
- 12V, 24V & 48V DC power options



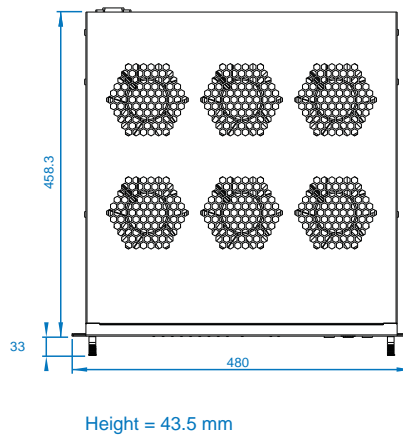
Dimensions

Unit : mm

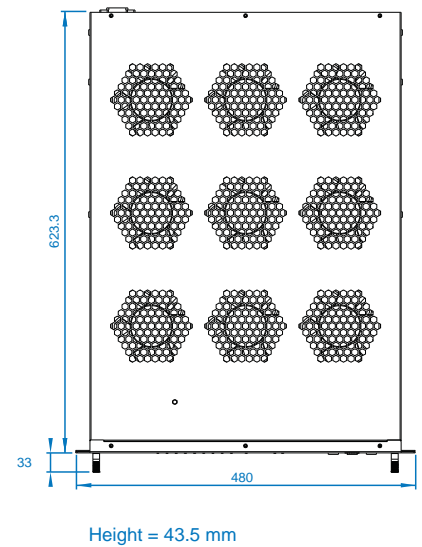
Model:RA4015-3



Model:RA4015-6



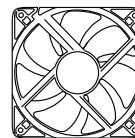
Model:RA4015-9



Technical Specifications

- Motor Design – 2 phases, 4-poles Brushless DC motor
- Bearing System – Precision ball bearing system
- Direction of Rotation – Counter-clockwise viewed from front of fan blade
- 100~240 VAC 50/60 Hertz
- Rated Current – 451 mA per fan
- Rated Power Consumption – 5.4 WATTS per fan
- Operating Temperature Range: -10 to + 70 deg. C
- Storage Temperature Range: - 40 to + 70 deg. C

Fan Specification



| | |
|------------------|-------------------------------|
| Air Delivery : | 108 CFM |
| Rate Speed : | 3100 RPM +/-10% |
| Rated Voltage : | 12 VDC |
| Rated Current : | 451 mA |
| Noise Level : | 45 dB |
| Dimension : | 120 x 120 x 25 mm |
| Bearing System : | Precision ball bearing system |
| Protection : | Automatic restart capability |