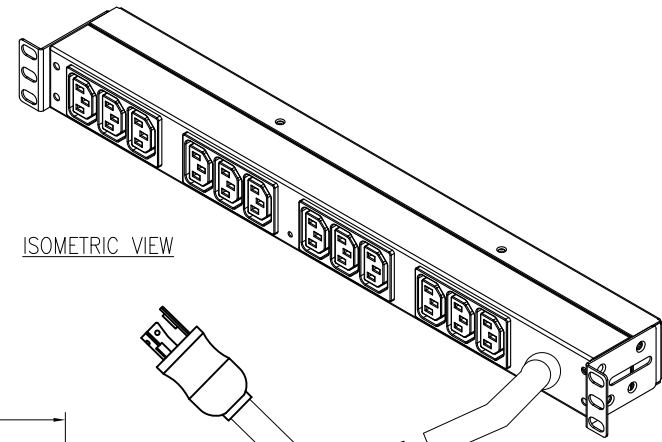
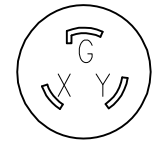
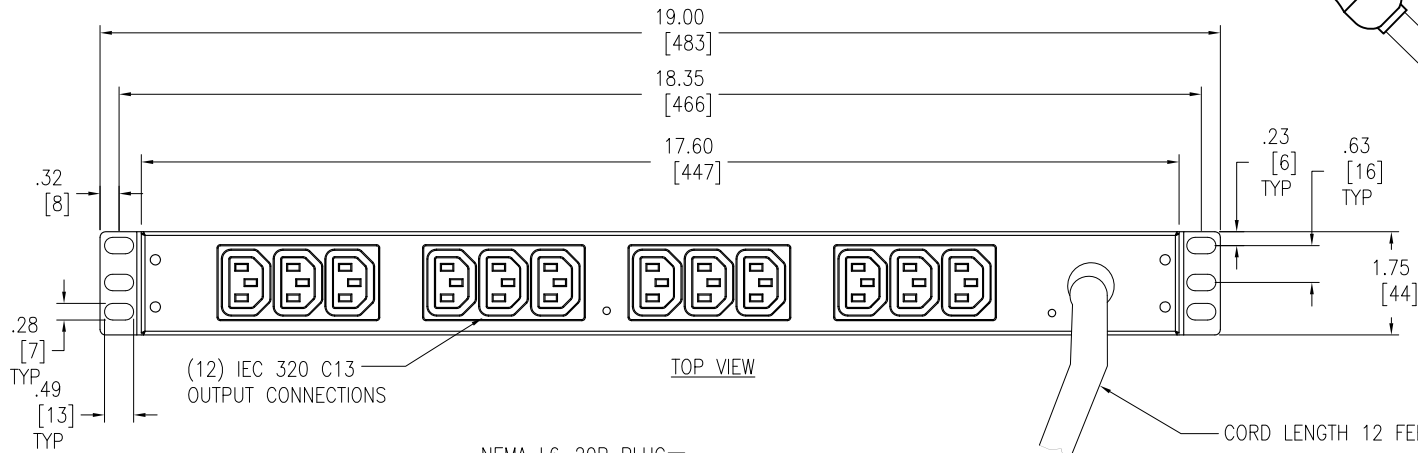


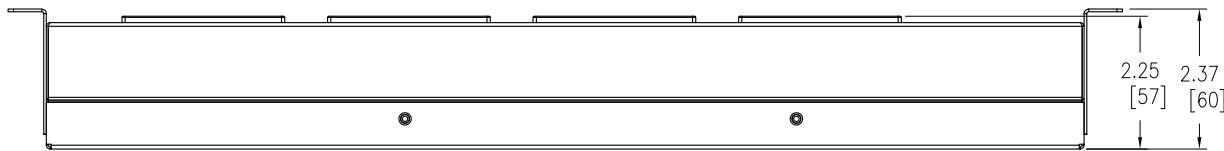
OPTION 1 – HORIZONTAL MOUNTING



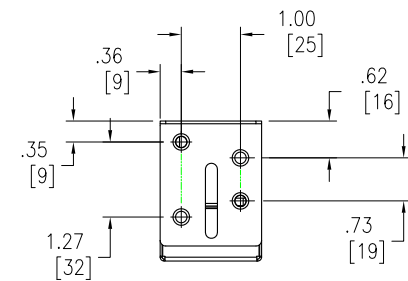
ISOMETRIC VIEW



VIEW A
NEMA L6-20P
(ENLARGED)



FRONT VIEW
HORIZONTAL MOUNTING
BRACKETS SHOWN



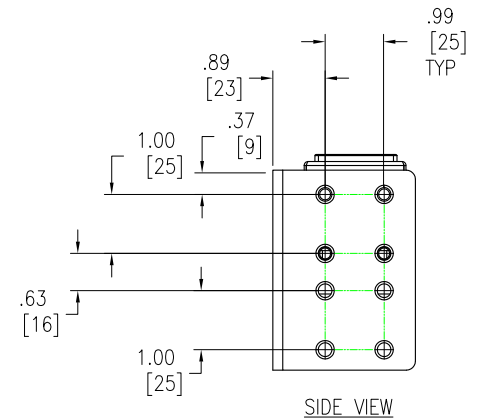
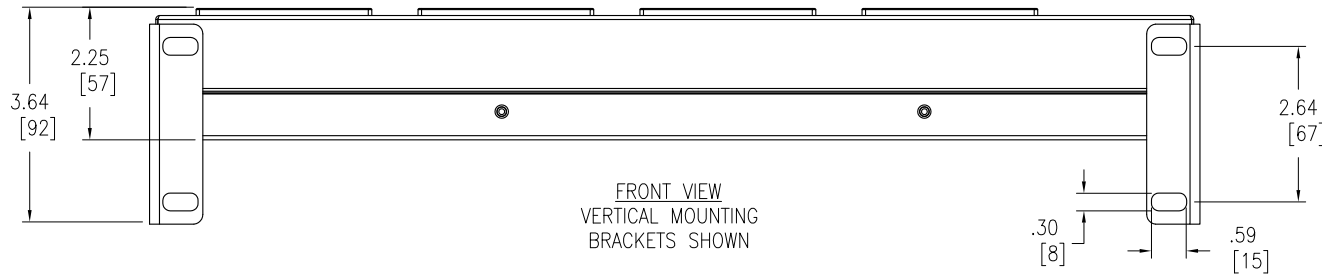
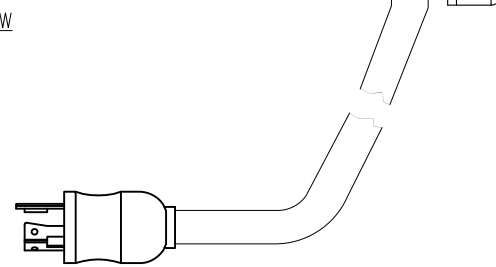
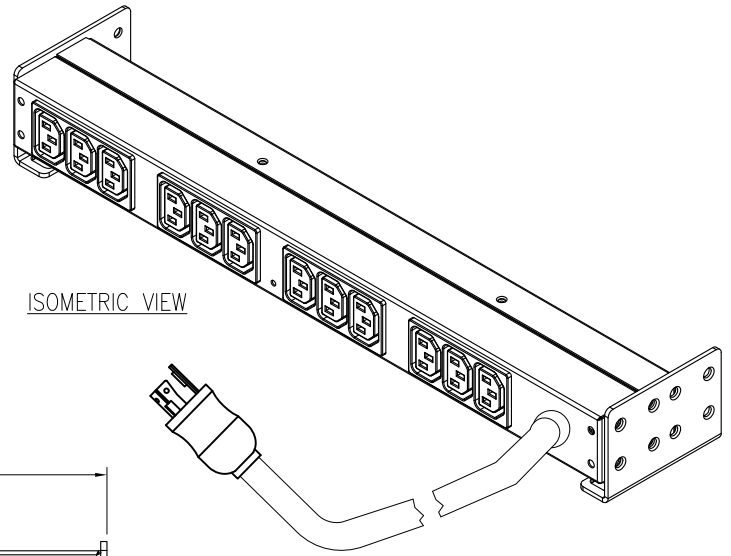
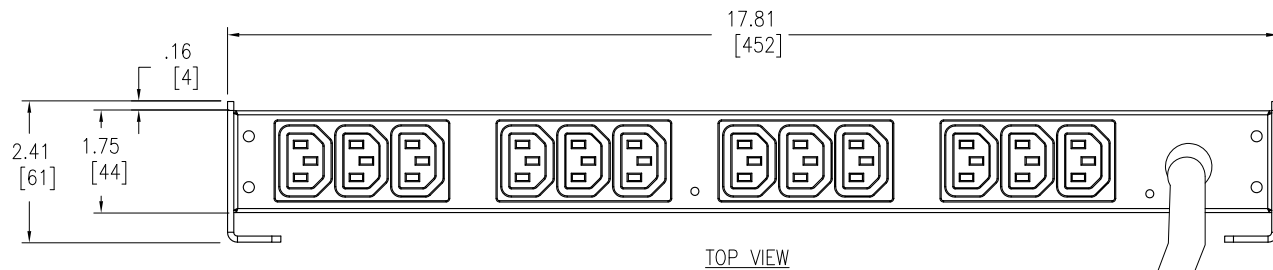
SIDE VIEW

NOTES:

1. INSTALLATION SHALL COMPLY WITH ALL APPLICABLE NATIONAL, STATE, AND LOCAL CODES
2. PLEASE REFER TO PRODUCT DOCUMENTATION FOR FURTHER INFORMATION.
3. ALL DIMENSIONS ARE IN INCHES [MILLIMETERS].
4. NET WEIGHT IS 5.50 LBS, [2.50 kg].
5. BRACKET KITS TO MOUNT TO SPECIFIC COMPETITORS RACKS ARE AVAILABLE AS OPTIONS.

RA5112-C13-20A-L620

OPTION 2 – VERTICAL MOUNTING



NOTES:

1. INSTALLATION SHALL COMPLY WITH ALL APPLICABLE NATIONAL, STATE, AND LOCAL CODES
2. PLEASE REFER TO PRODUCT DOCUMENTATION FOR FURTHER INFORMATION.
3. ALL DIMENSIONS ARE IN INCHES [MILLIMETERS].
4. NET WEIGHT IS 5.50 LBS, [2.50 kg].
5. BRACKET KITS TO MOUNT TO SPECIFIC COMPETITORS RACKS ARE AVAILABLE AS OPTIONS.

RA5112-C13-20A-L620