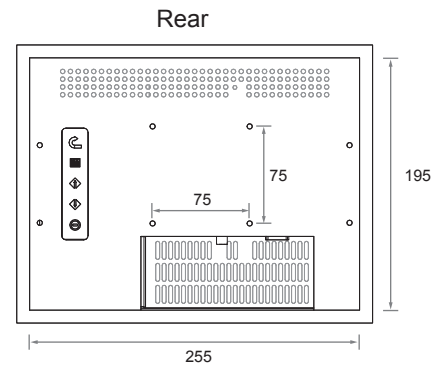
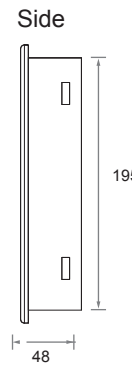
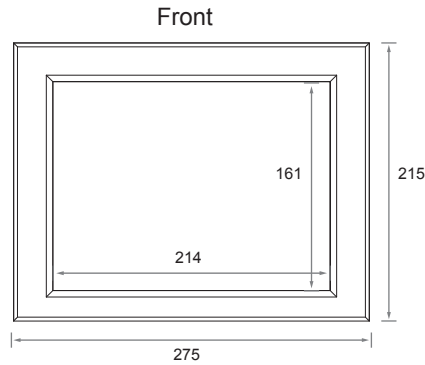


ID-10A 10.4" Front Aluminum LCD Panel

Dimension Drawings (mm)



Applications

- Embedded display unit
- Industrial automation LCD panel
- Gaming, lottery & amusement display
- Touchscreen display panel

Options

- Touchscreen
- S-Video, RCA & BNC input
- DC power input (12 / 24 / 48 VDC)
- Audio input with speaker
- TV tuner with remote controller
- Standard remote controller for AV, VGA input

Design features

- 6mm aluminum front bezel with 45° chamfer
- OSD control keys to optimize the display
- Rugged construction against external impact
- Modularized design saves maintenance cost

Specifications

LCD Panel

Panel Grading	Class A TFT LCD panel
Panel Size (in.)	10.4"
Optimum Resolution	800 x 600
Display Color	262K
Brightness-nits (cd/m ²)	230
Contrast Ratio	500 : 1
Pixel Pitch (mm)	0.264 x 0.264
Viewing Angle (L/R/U/D)	70 / 70 / 55 / 65
OSD Control	Brightness, Contrast, Phase & Clock, Color, H & V position, Auto-tune & Recall
Connector(s)	D-Sub 15 pin VGA analog
LCD Panel MTBF (hrs)	50,000
Power	100 or 240VAC via AC adapter
Mounting	VESA-mount, Mounting bracket and Optional OEM mounting design
Dimensions (mm)	275 x 48 x 215 (W x D x H)

Operating Temperature

0° to 50° C

Storage Temperature

-5° to 60° C

Humidity

5-90%, non-condensing

Shock

10G peak acceleration
(11ms duration)

Vibration

5-500Hz, 1G RMS random vibration

Ordering information

Model no.	Description
ID-10A	10.4" front aluminum LCD panel with VGA input
ID-10AAV	10.4" front AI. LCD panel with VGA, S-Video+RCA input
ID-10ABNC	10.4" front AI. LCD panel with VGA, S-Video+BNC input
ID-10ADC12	10.4" front AI. LCD panel with VGA input, 12V DC input
ID-10ADC24	10.4" front AI. LCD panel with VGA input, 24V DC input
ID-10ADC48	10.4" front AI. LCD panel with VGA input, 48V DC input