

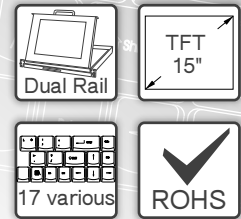


Toll Free : 1-888-865-6888

Tel : 510-226-8368 Fax : 510-226-8968

Email : sales@RackmountMart.com

Dual Rail -115 series



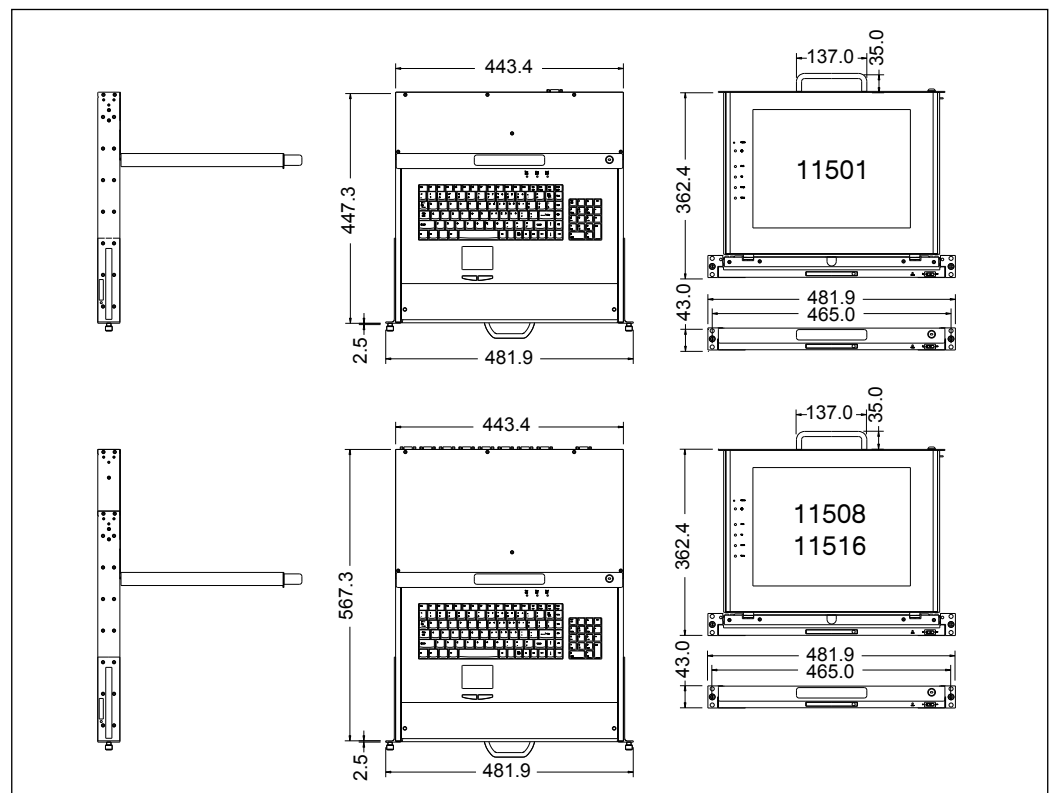
1U rack mount 15" TFT console

Dual Rail -115 series provide industrial level input solution to optimize your space utilization by controlling your system in just 1U rack space. With 11508 / 11516, you can control 8 / 16 platforms by using built-in KVM switch and easily expand the connections up to 8 levels with the combination of KVM switch boxes.

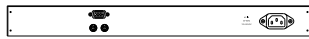
Features

- Dual Rail for independent Panel and Keyboard tray
- Hidden handle for Keyboard tray
- Support 17 various keyboard languages
- Bright Active Matrix TFT Display
- OSD function (On Screen Display) for LCD display
- Durable keyboards (touchpad or trackball)
- Panel protected by tempered glass
- Audio Function (optional)
- DC power (optional)

Dimension



Specification



Model Name	D-11501	D-11508	D-11516
Number of ports	1	8	16
Dimension	449.8x443.4x44 mm/17.7x17.5x1.7inches	569.8x443.4x44 mm/22.4x17.5x1.7 inches	569.8x443.4x44 mm/22.4x17.5x1.7 inches
Package Dimension	605x560x202 mm/23.8x22.0x8.0 inches	728x553x205 mm/28.7x21.8x8.1 inches	728x553x205 mm/28.7x21.8x8.1 inches
Net Weight	10.5 Kg / 23.1 lbs	11.5 Kg / 25.4 lbs	12.0 Kg / 26.5 lbs
Gross Weight	15.5 Kg / 34.2 lbs	17.5 Kg / 38.6 lbs	18.0 Kg / 39.7 lbs
Display Size	15 inches		
Panel Type	Active Matrix TFT LCD		
Resolution Capabilities	Maximum Resolution up to 1024 x 768 (XGA)		
Pixel Pitch	Supports 0.297 mm x 0.297 mm		
Viewing Angle (CR>10)	Right-Left view 130°(Typ) Up-Down View 100°(Typ)		
Contrast Ratio	400 : 1		
Brightness	White 250 cd/m ² (Center 1 point Typ)		
Back Light	Dual Lamps for Back Light		
Supported Colors	16M Colors (6-bit with FRC)		
Response Time	Rising Time 5 ms, Decay Time 11 ms		
Operating System	Dos, Windows (3.1, 9x, 2000, NT4, ME, XP, 2003 Server) Linux, Novell 3.12-6, HP UX, SUN		
Multi Platform	Support PS/2 and USB		
System Cables	VGA + PS/2 x 2 cable or VGA + USB x 1 cable		
Keyboard Mouse	106 key PS/2 keyboard with touch pad		
Sync	45 ~ 80 KHz		
Power Source	100 ~ 240 VAC input		
Power Consumption	16 W, 10.41 W for Panel		
Temperature	Operate 0°~ 50°C / 32°~ 122°F Storage -20°~ 60°C / -4°~ 140°F		
Humidity	10% ~ 90% RH		
Chassis Construction	Heavy duty steel materials		
Keyboard Language	US, UK, German, French, Spanish, Italian, Portuguese, Dutch, Swiss, Belgium, Swedish, Norwegian, Danish, Japanese, Mandarin, Russian, Hebrew		
Certification	CE / FCC, UL / CUL / C-Tick		

Ordering Optional

- Color (Black / Beige / OEM color)
- Cherry keyboard with trackball (PS/2 only)
- Touch screen (USB or RS232) (11501 only)
- DC power (- 48V ~ + 48V with additional cost / + - 12V without additional cost)
- USB interface (11501 only)
- Rear bracket extension up to 1030mm
- Detachable keyboard plate
- Signal cable 1.8m / 3.0m / 5.0m
- Audio function (11501 only)
- DVI interface (11501 only)

Diagram

