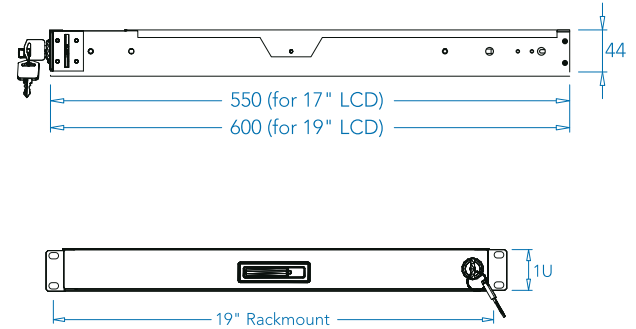
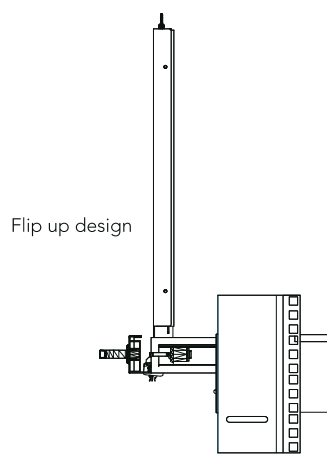


LCD1U17-014/19-013 1U Rackmount SUN LCD Drawer



Diagram

Unit : mm

Designed for:



Drawer Features & Options

- 1U rackmount LCD drawer with either 17" or 19" SAMSUNG LCD
- Multi lingual on screen display menu
- AV Composite Video, S-Video, DVI and BNC input options
- 12, 24 and 48 volt DC power options

LCD Drawer Benefits

- ▶ Sliding LCD allowing LCD to remain open when the rack door is closed
- ▶ Direct support for SUN Micro 1152 x 900 native resolution

Monitor  Grade A industrial TFT LCD panel

- 17" LCD with 300 nit brightness and 1000:1 contrast ratio typical
- 19" LCD with 300 nit brightness and 1000:1 contrast ratio typical
- 1280 x 1024 native graphic resolution
- Video auto-adjust for optimum image



Direct support SUN Micro native resolution 1152 x 900

Ordering Information

17" LCD Series

19" LCD Series

Model	17" LCD Series	19" LCD Series
	LCD1U17-014	LCD1U19-013

Dimensions

Model	Product Dimension (W x D x H)	Net Weight
LCD1U17-014	442 x 550 x 44.2 mm 17.4 x 21.6 x 1.74 inch	12 kg / 26 lbs
LCD1U19-013	442 x 600 x 44 mm 17.4 x 23.6 x 1.73 inch	13 kg / 29 lbs