



Synergy Global Technology Inc

www.RackmountMart.com

Toll Free: 1-888-865-6888

Tel: 510-226-8368 Fax: 510-226-8968

Email: sales@RackmountMart.com

User Manual

SunReadable Solution
17", 19" screen size



**SunReadable LCD Drawer
Models**
LCD1U17-015 / 19-015

Options : - BNC + S-Video - DVI - Touchscreen
 - Audio - Quad Display - DC power

Contents

- Chapter 1 **Getting Started**
- Important Safeguards
 - Regulatory Notice
 - Before Installation
 - Unpacking
 - Optional Accessories
 - Peripheral Products
- Chapter 2 **LCD1U17-015 / 19-015**
- Package Contents
 - Structure Diagram
 - Connection
 - How to Install “One Man” Installation Slides
 - How to Use the Slides
- Chapter 3 **Operation**
- On-screen Display Operation
 - On-screen Menu
- Chapter 4 **Optional Specification**
- DVI-D Option
 - BNC + S-Video Option
 - AudioOption
 - Touchscreen Options
 - Quad Display Option
 - DC Power Options
- Chapter 5 **LCD Specification**
- Chapter 6 **Troubleshooting**
- Chapter 7 **Dimensions**

Please read all of these instructions carefully before you use the device. Save this manual for future reference.

What the warranty does not cover

- Any product, on which the serial number has been defaced, modified or removed.
- Damage, deterioration or malfunction resulting from:
 - Accident, misuse, neglect, fire, water, lightning, or other acts of nature, unauthorized product modification, or failure to follow instructions supplied with the product.
 - Repair or attempted repair by anyone not authorized by us.
 - Any damage of the product due to shipment.
 - Removal or installation of the product.
 - Causes external to the product, such as electric power fluctuation or failure.
 - Use of supplies or parts not meeting our specifications.
 - Normal wear and tear.
 - Any other causes which does not relate to a product defect.
- Removal, installation, and set-up service charges.

Legal Information

First English printing, October 2002

Information in this document has been carefully checked for accuracy; however, no guarantee is given to the correctness of the contents. The information in this document is subject to change without notice. We are not liable for any injury or loss that results from the use of this equipment.

Safety Instructions

- Unplug equipment before cleaning. Don't use liquid or spray detergent; use a moist cloth.
- Keep equipment away from excessive humidity and heat. Preferably, keep it in an air-conditioned environment with temperatures not exceeding 40° Celsius (104° Fahrenheit).
- When installing, place the equipment on a sturdy, level surface to prevent it from accidentally falling and causing damage to other equipment or injury to persons nearby.
- When the drawer is in an open position, do not cover, block or in any way obstruct the gap between it and the power supply. Proper air convection is necessary to keep it from overheating.
- Arrange the equipment's power cord in such a way that others won't trip or fall over it.
- If you are using a power cord that didn't ship with the equipment, ensure that it is rated for the voltage and current labeled on the equipment's electrical ratings label. The voltage rating on the cord should be higher than the one listed on the equipment's ratings label.
- Observe all precautions and warnings attached to the equipment.
- If you don't intend on using the equipment for a long time, disconnect it from the power outlet to prevent being damaged by transient over-voltage.
- Keep all liquids away from the equipment to minimize the risk of accidental spillage. Liquid spilled on to the power supply or on other hardware may cause damage, fire or electrical shock.
- Only qualified service personnel should open the chassis. Opening it yourself could damage the equipment and invalidate its warranty.
- If any part of the equipment becomes damaged or stops functioning, have it checked by qualified service personnel.

Regulatory Notices Federal Communications Commission (FCC)

This equipment has been tested and found to comply with the limits for a Class B digital device, pursuant to Part 15 of the FCC rules. These limits are designed to provide reasonable protection against harmful interference in a residential installation.

Any changes or modifications made to this equipment may void the user's authority to operate this equipment. This equipment generates, uses, and can radiate radio frequency energy and, if not installed and used in accordance with the instructions, may cause harmful interference to radio communications.

However, there is no guarantee that interference will not occur in a particular installation. If this equipment does cause harmful interference to radio or television reception, which can be determined by turning the equipment off and on, the user is encouraged to try to correct the interference by one or more of the following measures:

- Re-position or relocate the receiving antenna.
- Increase the separation between the equipment and receiver.
- Connect the equipment into an outlet on a circuit different from that to which the receiver is connected.

1.3 Before Installation

- It is very important to locate the Rackmount LCD Drawer / Display in a suitable environment.
- The surface for placing and fixing the Rackmount LCD Drawer / Display should be stable and level or mounted into a suitable cabinet.
- Make sure the place has good ventilation, is out of direct sunlight, away from sources of excessive dust, dirt, heat, water, moisture and vibration.
- Convenience for connecting the Rackmount LCD Drawer / Display to the related facilities should be well considered too.

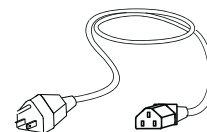
1.4 Unpacking

The Rackmount LCD Drawer / Display comes with the standard parts shown on the package contents. Check and make sure they are included and in good condition. If anything is missing, or damage, contact the supplier immediately.

1.5 Optional Accessories

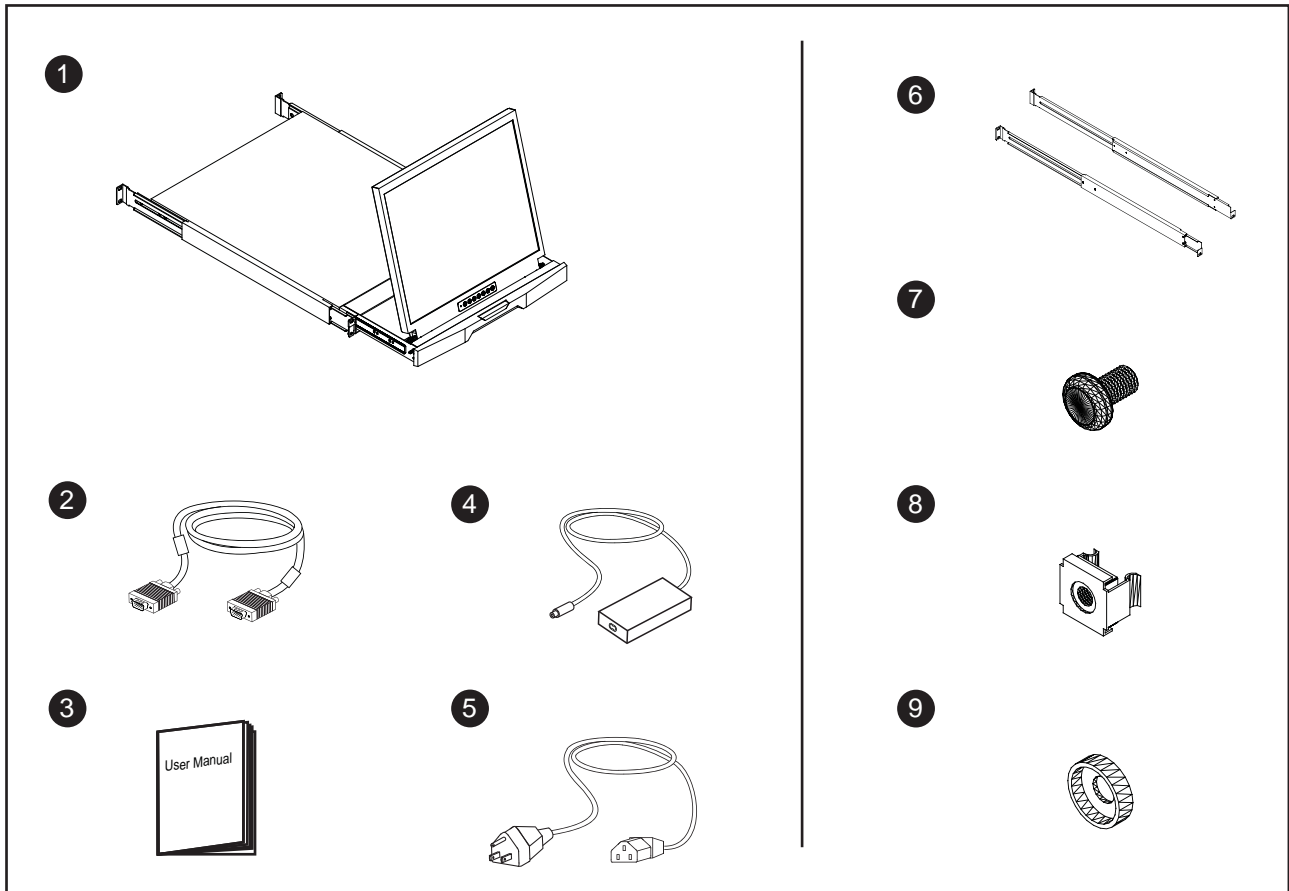
1. Power Cord

- 1.1 IEC power cord
- 1.2 NEMA 5-15 power cord (US)
- 1.3 BS 1363 power cord (UK)
- 1.4 CEE 7/4 power cord (German)
- 1.5 AS 3112 power cord (Australia)



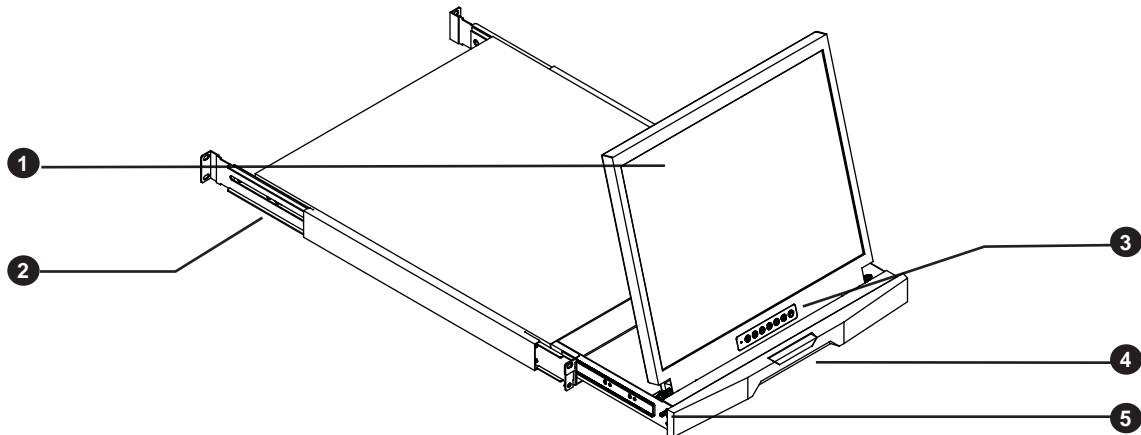
Item	Model No.	Description
Matrix Cat6 KVM	LCDK2006-2 / 3 / 4	Matrix Cat6 16 port KVM
	LCDK2012-31 / 41 / 42	Matrix IP Cat6 16 port KVM
	LCDK2007-2 / 3 / 4	Matrix Cat6 32 port KVM
	LCDK2013-31 / 41 / 42	Matrix IP Cat6 32 port KVM
Matrix DB-15 KVM	LCDK2004- 2 / 3 / 4	Matrix DB-15 8 port KVM
	LCDK2010-31 / 41 / 42	Matrix IP DB-15 8 port KVM
	LCDK2005-2 / 3 / 4	Matrix DB-15 16 port KVM
	LCDK2011-31 / 41 / 42	Matrix IP DB-15 16 port KVM
Combo Cat6 KVM	LCDK2001 / 2002 / 2003	Combo Cat6 8 port KVM
	LCDK1043 / 1045 / 1047	Combo Cat6 16 port KVM
	LCDK1044 / 1046 / 1048	Combo Cat6 32 port KVM
Combo DB-15 KVM	LCDK1020 / 1024 / 1038	Combo DB-15 8 port KVM
	LCDK1021 / 1025 / 1039	Combo DB-15 16 port KVM
PS/2 DB-15 KVM	LCDK1009 / 1010 / 1011	4 / 8 / 16 port PS/2 DB-15 KVM
Keyboard Drawer	LCDK1002	Rackmount keyboard drawer (with KVM options)
	LCDK1016	Rackmount keyboard drawer (short depth version)

LCD1U17-015 / 19-015



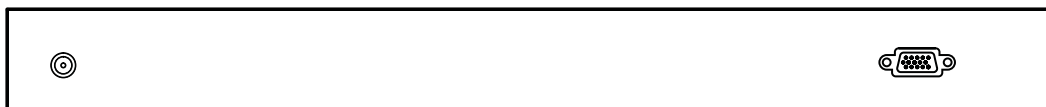
- ① LCD drawer x 1 pc
- ② 6' VGA cable (male to male) x 1 pc
- ③ User manual x 1 pc
- ④ Auto switch power adapter x 1 pc
- ⑤ Power cord x 1 pc
- ⑥ Mounting bracket x 2 pcs
- ⑦ M6*15mm screw x 8 pcs
- ⑧ M6 cage nut x 8 pcs
- ⑨ Cup washer x 8 pcs

LCD1U17-015 / 19-015



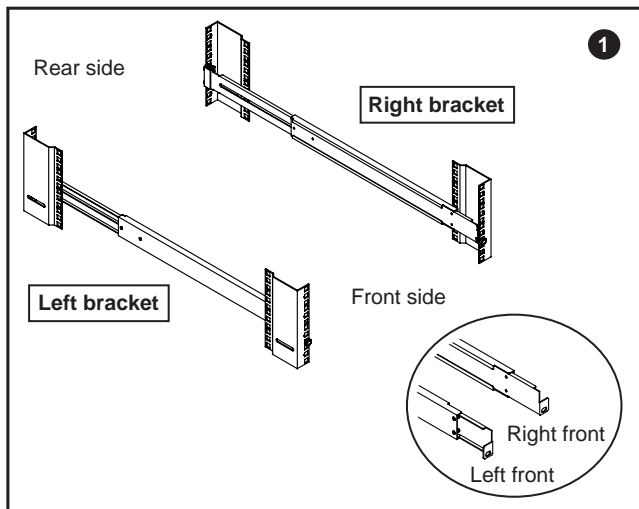
- ① LCD interchangeable module kit
- ② "One Man" Installation Slide
- ③ LCD membrane
- ④ Carry handle to release the 2-pt lock
- ⑤ 2-point lock

2.3 Connection



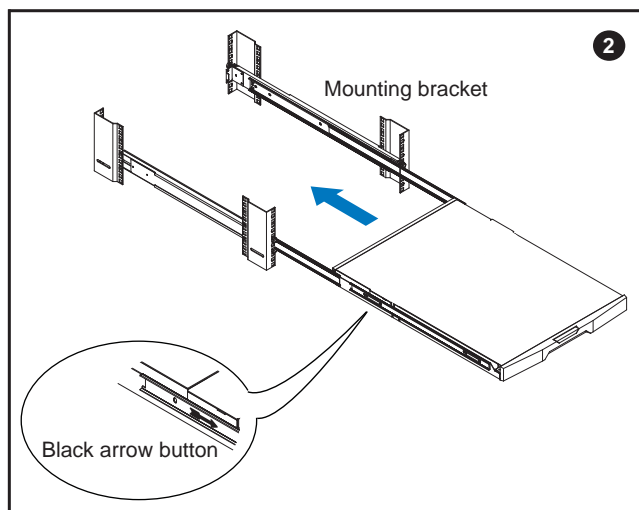
Caution : The Rackmount LCD Drawer & Display are hot-pluggable, but components of connected devices, such as the servers and KVM switch, may not be hot-pluggable. Plugging and unplugging cables while servers and KVM are powered on may cause irreversible damage of the servers, KVM and Rackmount LCD Drawer. Before attempting to connect anything to the Rackmount LCD Drawer, we suggest turning off power to all devices before connecting them. Apply power to connected devices again only after the Rackmount LCD Drawer is receiving power. The company is not responsible for damage caused in this way.

Install into rack



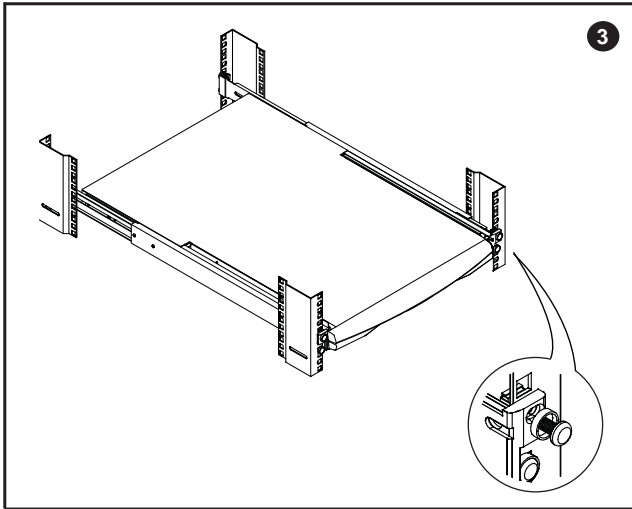
- Attach the left and right mounting bracket to rack 19" mounting rails.
- Adjust the rear mounting bracket to fit your rack.
- M6 screw and cup washer x 6 pcs included.

Caution : Leaving the screws slightly loose, until you complete the installation in step 4

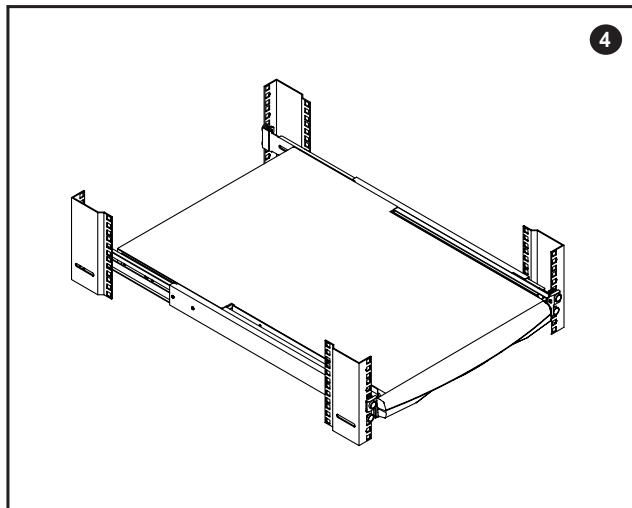


- Pick up the LCD keyboard drawer.
- Insert the LCD keyboard drawer into the mounting bracket.
- Pull and hold the left & right black arrow buttons on the rails.
- Return the LCD keyboard drawer to park position.

LCD1U17-015 / 19-015



- Attach front left and right mounting ears of the LCD keyboard drawer to vertical mounting rails.
- M6 screw and cup washer x 2 pcs included.



Complete the installation

- Tighten all 8 pcs of M6 screw to complete the installation.

2.5 How to Use the Slides

LCD1U17-015 / 19-015

Chapter 2

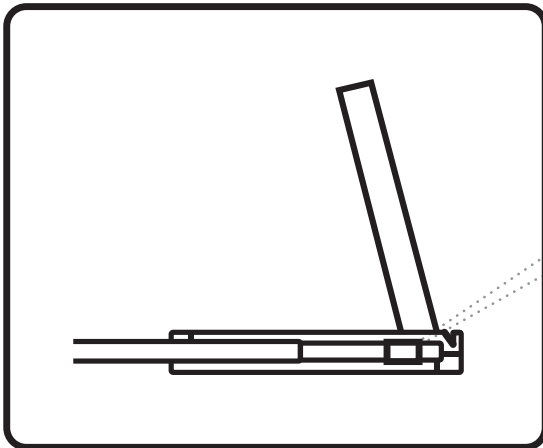


Figure 9.

- A black arrow release button is located on the outside of each slide. (shown in **Figure 9**).

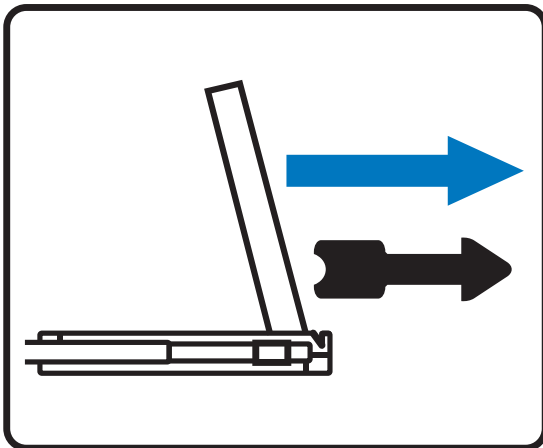


Figure 10..

- Pull and hold the black arrow button on either side of the LCD drawer to unlock. (shown in **Figure 10**).

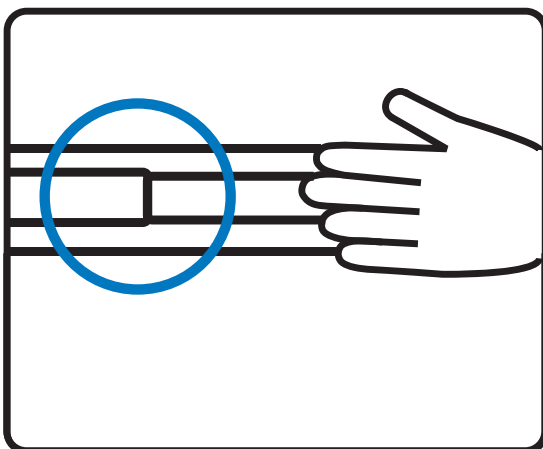

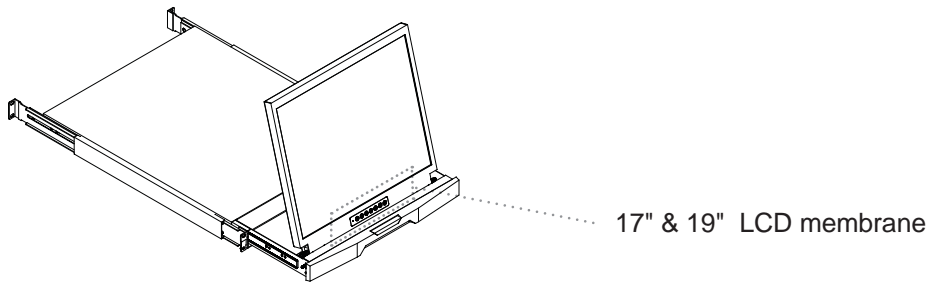







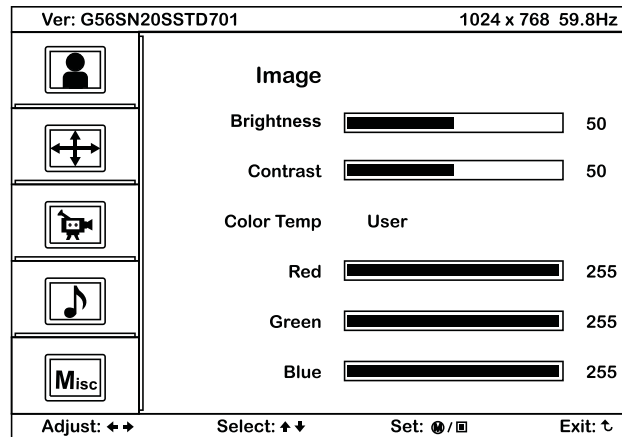
Figure 11.

- Push the LCD drawer into the rack. (shown in **Figure 11**).

 **Caution :** Keep your fingers away from the slide stop



Membrane Switch	Function
<ul style="list-style-type: none"> ○ ● ● 	Power light Green = On Orange = Power saving
	Power on / off LCD
	Display the OSD menu
	Scrolls through menu options and adjusts the displayed control (To auto adjustment by pressing the button  for 5 seconds)
	Exit the OSD screen Toggle analog, digital & video connection (DVI-D and video options only)

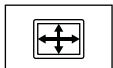


OSD Configuration Page



Image:

To enter into the brightness, contrast, color temp, red, green, and blue



Geometry:

To enter into the auto adjust, H position, V position, phase and clock



Video:

To enter into the colour, tint, sharpness, noise reduction, DCDi and TV Setup



Audio:

To enter into volume, bass, treble, balance, AVL and mute



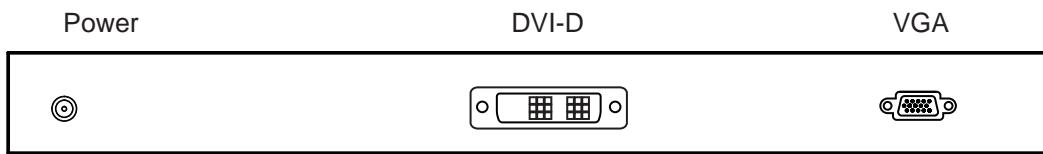
Misc:

To enter into the language, OSD position, graphic mode, ratio, reset and timer

4.1 DVI-D Option

Chapter 4

LCD1U17-015 / 19-015

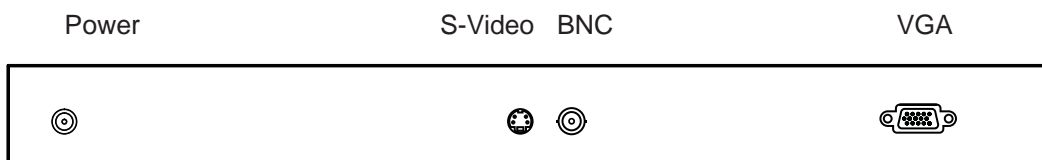


Remarks

- Package includes 1 x 6ft DVI-D cable

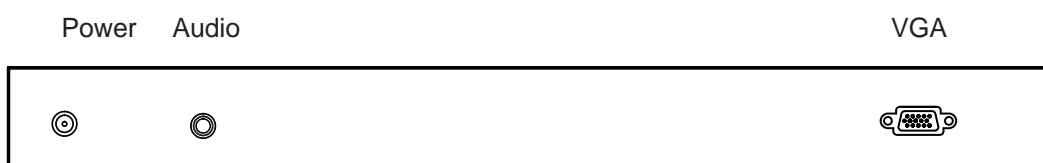
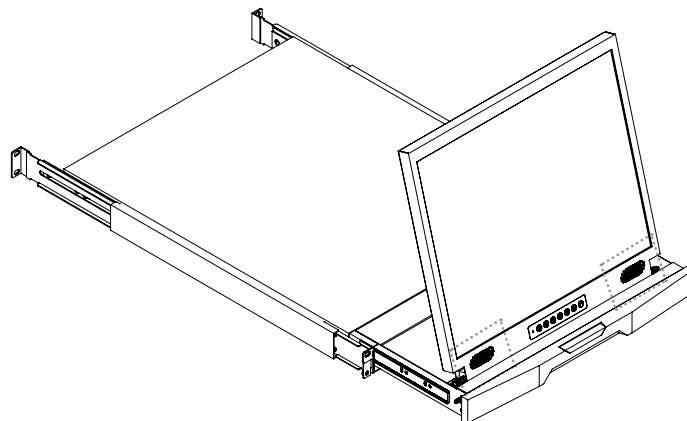
4.2 BNC + S-Video Option

Chapter 4



Remarks

- Package includes 1 x 6ft S-Video cable

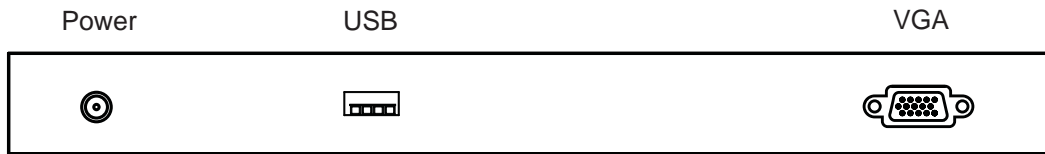


Remarks:

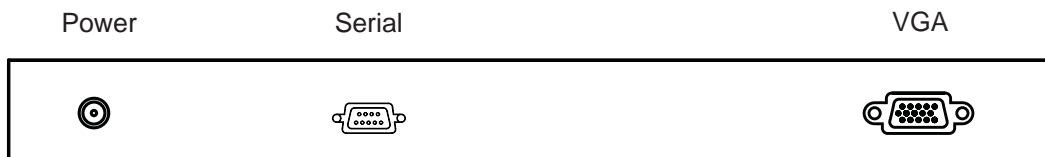
- Audio input is 35mm audio plug
- The speaker is sharing the same power with LCD.

LCD1U17-015 / 19-015

USB interface



Serial interface



e-Resistive

Model	-17TRB / -17TRS	-19TRB / -19TRS
Screen size	17"	19"
Interface	USB / serial	
Optical transmittance	80% ± 3%	
Surface hardness	≥3H (JIS K5400)	
Operating system	Windows 98 / 2000 / ME / XP / NT / CE, DOS, Linux	

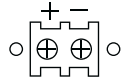
e-Capacitive

Model	-17TCB / -17TCS	-19TCB / -19TCS
Screen size	17"	19"
Interface	USB / serial	
Optical transmittance	93% ± 2%	
Surface hardness	>9H Surface hardness, withstand over 300 million touches	
Operating system	Windows 98 / 2000 / ME / XP / NT / CE, DOS, Linux	

Remarks

- USB touchscreen package includes 1 x 6ft USB cable, quick reference guideline and CD disc
- Serial touchscreen package includes 1 x 6ft serial cable, quick reference guideline and CD disc
- For detailed information, please refer to the attached CD disc
- As the touchscreen unit is not made of toughened glass, please handle it carefully
- Touchscreen in other brands are available on request

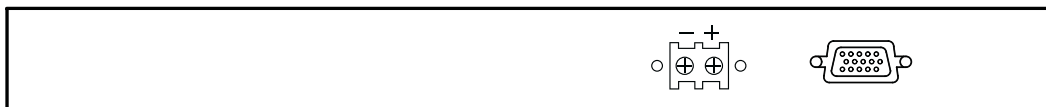
4.6 DC Power Options



Chapter 4

LCD1U17-015 / 19-015

DC Power input VGA



Model	24V	48V
Input rating		
Input voltage:	24-Volt	48-Volt
Input range:	18 ~ 36V	36 ~ 75V
Input current		
- No load	50 mA	50 mA
- Full load	4880 mA	2442 mA
Output rating		
Output voltage:	12-Volt	12-Volt
Output current:	8.3A	8.3A
Efficiency	85%	86%

Remarks

- Package does not include power cord and AC power adapter

LCD1U17-015 / 19-015

Item	Description	
LCD Grade	Grade A industrial TFT LCD panel	
Diagonal Size	17" TFT	19" TFT
Max. Resolution	1280 x 1024	1280 x 1024
Brightness (cd/m ²)	800	800
Color Support	16.7 M	16.7 M
Contrast Ratio (typ.)	800:1	800:1
Viewing Angle (H/V)	170° x 160°	160° x 160°
Display Area (mm)	338 x 270	376 x 301
Tr Response Time (ms)	3.5	1.3
LCD Panel MTBF (hrs)	70,000	70,000
VGA Signal Input	Analog RGB, 0.7Vp-p	
Sync. Type	Separate H/V, Composite, SOG	
Resolution	720 x 400, 70 Hz	
	640 x 480, 60/ 70/ 72/ 75 Hz	
	800 x 600, 60/ 70/ 72/ 75 Hz	
	1024 x 768, 60/ 70/ 75 Hz	
	1152 x 864, 60/ 70/ 75 Hz	
	1280 x 720, 60/ 70/ 75 Hz	
	1280 x 1024, 60/ 70/ 72/ 75 Hz	
Plug & Play DDC	EDID 1.3	
Connector	DB-15 connector	
Power Input	Auto-sensing 100 to 240VAC, 50 / 60Hz	
Power Consumption	Max. 84 Watt, Standby 5 Watt	
Compatibility	Multi-platform - Mix PCs, SUNs, IBMs, HPs & DELLs.	

Options

Graphic Input	DVI-D, BNC, S-Video & quad display input
DC Power	DC power input with 12V, 24V, 48V selection
Touchscreen	Resistive & capacitive

Environmental

Operation	-20° to 50°C Degree
Storage	-5° to 60°C Degree
Relative Humidity	5~90%, non-condensing
Shock	10G acceleration (11ms duration)
Vibration	5~500Hz 1G RMS random vibration

1. How do I adjust the resolution?

To change monitor resolution, click Start -> Control Panel -> Display. Select Setting tab to adjust the monitor resolution in Desktop Area. The available resolutions, "640 x 480", "800 x 600", "1024 x 768", "1152 x 864", "1280 x 1024", are determined by the display card in your computer.

2. Is interference signal appeared on LCD normal when shutting down the computer ?


In rare cases, interference may appear on the monitor. This may be caused by signal rate of VGA card and is considered normal. The image quality can be improved by adjusting the phase or pixel rate automatically or manually.

3. The membrane power light is not ON

Press the power On / Off on LCD membrane to check if the monitor is in the ON mode.

Check the power cord is properly connected to the LCD keyboard drawer and power outlet.

4. Screen image is not centered or sized properly

Press the  button for two seconds to automatically adjust the image.

Adjust the H-position and V-position settings via On-screen menu.

LCD1U17-015 / 19-015

Model	Product Dimension (W x D x H)	Net Weight
LCD1U17-015	442 x 600 x 44.2 mm 17.4 x 23.6 x 1.74"	12 kg 26 lb
LCD1U19-015	442 x 600 x 44 mm 17.4 x 23.6 x 1.73"	13 kg 29 lb

The company reserves the right to modify product specifications without prior notice and assumes no responsibility for any error which may appear in this publication.

All brand names, logo and registered trademarks are properties of their respective owners.

Copyright 2008 Synergy Global Technology Inc. All rights reserved.