



Options



BNC + S-Video



DVI-D



DC Power



Touch Screen



Audio

BNC + S-Video



Touchscreen - USB



DVI-D



Touchscreen - Serial



DC Power



Audio



**\*\*With DVI-D or DC power option, the depth of LCD1U17-11 / LCD1U19-03 will be extended from 700mm ( 27.6" ) to 750mm ( 29.5" )**

LCD Drawer Benefits

- ▶ 1U rackmount drawer with either 17" or 19" LCD
- ▶ Combo interface either PS/2 or USB input to the LCD drawer
- ▶ US keyboard layout with either trackball or touchpad selection
- ▶ "One Man" installation slides for easy, quick installation
- ▶ Slide rails with fixed positions to prevent drawer movement when typing
- ▶ Enhanced aesthetics with new molded front panel and two point lock

**Monitor** Grade A 17" or 19" industrial TFT LCD panel

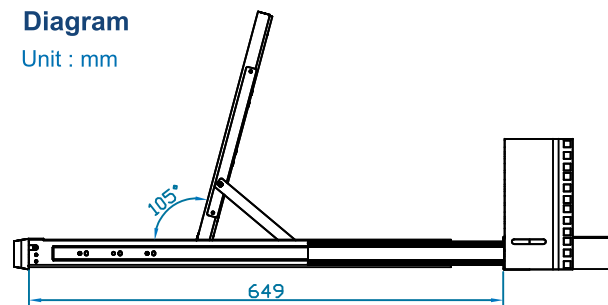
- 17" 1280 x 1024 LCD with 300 nit brightness and 1000:1 contrast ratio typical
- 19" 1280 x 1024 LCD with 300 nit brightness and 1000:1 contrast ratio typical

Dimensions

Model	Product Dimension ( W x D x H )	Net Weight
LCD1U17-11	442 x 700 x 44 mm 17.4 x 27.6 x 1.73 inch	18 kg / 40 lbs
LCD1U19-03	442 x 700 x 44 mm 17.4 x 27.6 x 1.73 inch	19 kg / 42 lbs

Diagram

Unit : mm



Keyboard Selection

Supporting layouts only



**d** Compact keyboard integrated with trackball



**t** Compact keyboard integrated with touchpad mouse