



Synergy Global Technology Inc

www.RackmountMart.com

Toll Free: 1-888-865-6888

Tel: 510-226-8368 Fax: 510-226-8968

Email: sales@RackmountMart.com

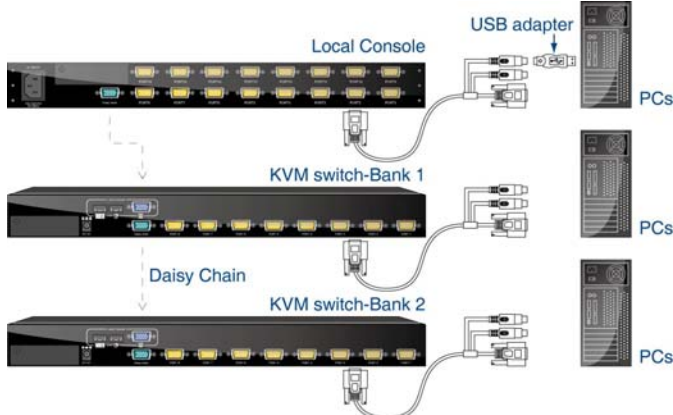
LCD1U20-04 1U Rackmount 20" LCD Keyboard Drawer



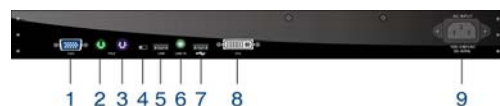
Features

- Single rail easy to install and use
- Support Sun native resolution
- Support 17 various keyboard languages
- 8 / 16 ports combo-free KVM switch for LCD1U20-04-8KVM-n-co / -16KVM-n-co
- Bright Active Matrix TFT display
- OSD function (On Screen Display) for LCD display
- Durable keyboards with touchpad
- Panel protected by tempered glass
- Provide front USB port to easy use (Single port only)
- Support USB / DVI interface (Single port only)
- Audio function (optional, Single port only)

Application



LCD1U20-04-n I/O Diagram

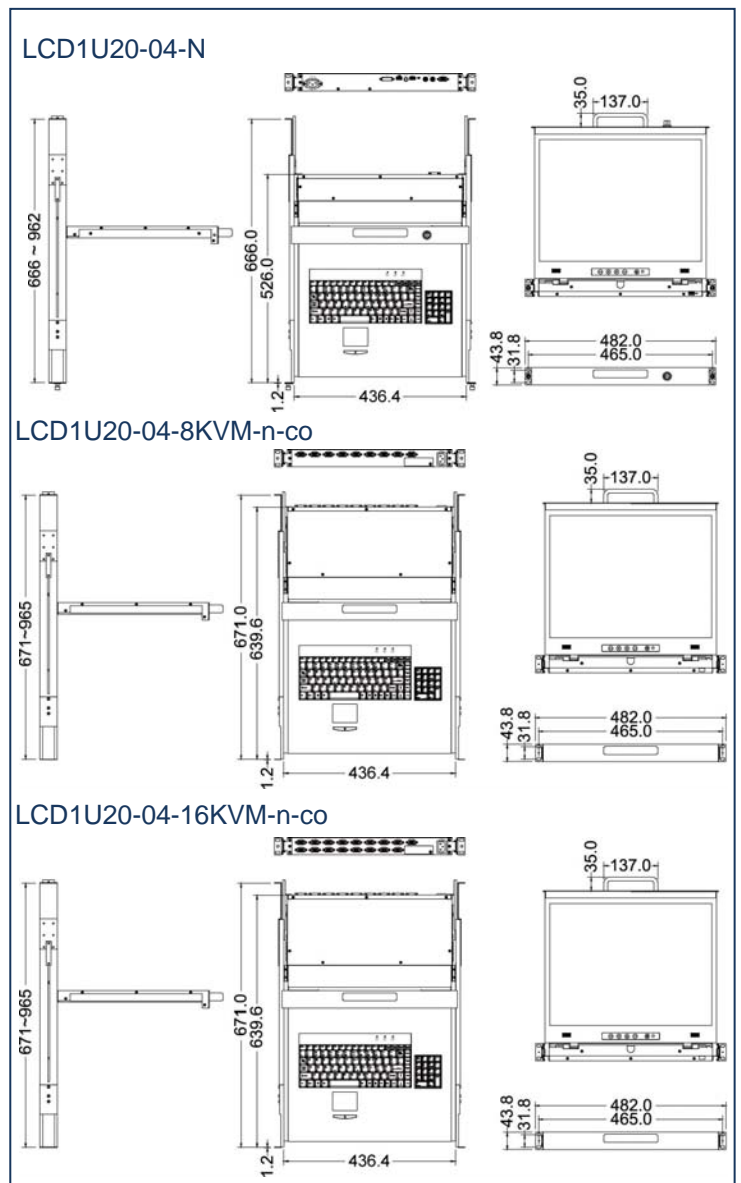


1. VGA port
2. PS/2 mouse
3. PS/2 keyboard
4. PS/2-USB select
5. USB 2.0 port
6. Audio line in (optional)
7. USB 2.0 port (front USB)
8. DVI port
9. AC inlet

LCD1U20-04 series 1U rack mount 20.1" TFT console with combo-free KVM switch

LCD1U20-04 series is cost efficiency industrial level input solution, easy to install and use. LCD1U20-04 series provides optimize your space utilization by controlling your system in just 1U rack space. With -8KVM / -16KVM options, you can control 8 / 16 platforms by using built-in combo-free KVM switch and easily expand the connections up to 8 levels with the combination of KVM switch boxes.

Dimensions



LCD1U20-04 1U Rackmount 20" LCD Keyboard Drawer



Specifications

LCD Console			
Model Name	LCD1U20-04-n	LCD1U20-04-8KVM-n-co	LCD1U20-04-16KVM-n-co
Dimension	527.2 x 436.4 x 43.8 mm / 20.8 x 17.2 x 1.7 inches	640.8 x 436.4 x 43.8 mm / 25.2 x 17.2 x 1.7 inches	640.8 x 436.4 x 43.8 mm / 25.2 x 17.2 x 1.7 inches
Package Dimension	827 x 564 x 206 mm / 32.6 x 22.2 x 8.1 inches	827 x 564 x 206 mm / 32.6 x 22.2 x 8.1 inches	827 x 564 x 206 mm / 32.6 x 22.2 x 8.1 inches
Connectors	1 x VGA HDDB-15 pin, 2 x PS/2 Mini Din 6 pin, 2 x USB, 1 x DVI, 1 x AC inlet, 1 x PS/2-USB select, 1 x Audio line in (optional)	1 x HDDB-15 pin, 8 x HDDB-15 pin for PCs use, 1 x AC inlet	1 x HDDB-15 pin, 8 x HDDB-15 pin for PCs use, 1 x AC inlet
Display Size	20.1 inches		
Panel Type	Active Matrix TFT LCD		
Resolution Capabilities	Maximum Resolution up to 1600 x 1200 (UXGA)		
Pixel Pitch	Supports 0.255 mm x 0.255 mm		
Active Display Area	Horizontal: 408.0 mm, Vertical: 306.0 mm		
Viewing Angle (CR>10)	Right-Left view 178° (typical), Up-Down View 178° (typical)		
Contrast Ratio	700 : 1		
Brightness	White 300 cd/m ² (Center 1 point typical)		
Back Light	Six Lamps for Back Light		
Supported Colors	16.7M Colors (8-bit)		
Response Time	Rising Time 7 ms, Decay Time 9 ms		
Operating System	Dos, Windows (3.1, 9x, 2000, NT4, ME, XP, 2003 Server) Linux, Novell 3.12-6, HP UX, SUN		
Multi Platform	Support PS/2 and USB		
Keyboard Mouse	106 key PS/2 keyboard with touch pad		
Power Consumption	35W		
Temperature	Operate 0 ~ 50 °C / 32 ~ 122 °F, Storage -20 ~ 60 °C / -4 ~ 140 °F		
Humidity	10% ~ 90% RH		
Chassis Construction	Heavy duty steel materials		
Keyboard Language	US, UK, German, French, Spanish, Italian, Portuguese, Dutch, Swiss, Belgium, Swedish, Norwegian, Danish, Japanese, Mandarin, Russian, Hebrew		
Combo-free KVM switch (LCD1U20-04-8KVM-n-co / LCD1U20-04-16KVM-n-co)			
Model Name	LCD1U20-04-8KVM-n-co	LCD1U20-04-16KVM-n-co	
PC Ports	8	16	
Max. PC Connection	120	128	
PC Port Connector (All Female Types)	HDDB-15 pin		
Max. Distance (KVM switch -- Host)	10m (32 feet)		
Daisy Chain Port	Support Daisy Chain function with 8-layer Bus topologies. Connector: 1 x HDDB-15 pin (Female Type)		
PC selection	On Screen Display (OSD) Menu, Hot Key		
Security	Provide ACL (Access Control List) security function, store up to 8 independent controllable PC lists		
Multilingual OSD (On Screen Display) control	8 languages (English, France, German, Spanish, Italian, Russian, Japanese, Chinese)		
Keyboard / Mouse Emulation	PS/2 or USB		

Options

Color (Black / Beige / OEM color)

Additional SUN function key

Rear bracket extension up to 1000mm

Signal cable 1.8 m / 3.0 m / 5.0 m (6 ft / 10 ft / 15 ft)

Audio function (IPS-12001 only)