

LCDK2012-31/41/42
LCDK2013-31/41/42

Matrix 1U Rackmount Multi-User Cat6 16/32 KVM- IP Access

New



Dimensions

Model	Product Dimension (W x D x H)	Net Weight
LCDK2012-31/41/42 LCDK2013-31/41/42	448 x 180 x 44 mm 17.6 x 7.1 x 1.73 inch	4 kg / 9 lbs

Designed for:

**SUN, IBM, HP, DELL
SOLARIS, Mac, Windows, Linux**



12V, 24V and 48V DC Power options

Switch Features & Options

- Provide a diversity of consoles to access servers independently and simultaneously
- Use of the RJ45 Cat6 interface allows for a higher number of ports in smaller density
- Greater distances between your switch and servers allow enhanced data centre rack layouts
- Multi lingual on screen display menu
- Advanced user profiles and configurable OSD hot key combinations

Matrix Multi-User Cat6 IP KVM Benefits

- ▶ Secure IP remote user access across the world wide web
- ▶ Capable of connecting 32 or 16 servers per device in 1U
- ▶ Support DVI-USB, VGA-USB & VGA-PS/2 server interface
- ▶ Efficient system management with simultaneous multi-user access
- ▶ Enhanced Cat6 cable management with remote access over 300m
- ▶ Up to 40 meters between your server & KVM switch

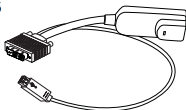
Technical Specification

- **KVM Port :** 32 / 16 x RJ45 connector
- **KVM Dongle :**
DVI-D / VGA connector dongle up to 40 meters (132 feet)
Cat6 / Cat5 cable
- **Simultaneous Console Access**
Local : 1 x DB-15 VGA (up to 1600 x 1200),
2 x USB for KB & MS
Remote (1 or 2) : 1 x RJ45, up to 300 meters (1000 feet)
Cat6 / Cat5 cable
IP Access (1 or 2) : 1 x RJ45 Ethernet, 1 x DB-9 serial &
1 x USB port
IP Security : SSL v3, RSA, AES, CSR, http & https
internet access
15-user login (1 x active user)
- **Remote Receiver (1 or 2) :**
1 x DB-15 VGA (up to 1600 x 1200), 2 x USB for KB & MS
1 x KVM port for connecting an extra PC
- **Expansion :** Support mixed DB-15 or RJ45 Matrix KVM,
up to 256 servers
- **Compatibility :**
Mix PCs, SUNs, MACs, IBMs, HPs, DELLs server
Windows Vista / 2003 / XP / 2000, Linux, Netware, Unix
- **Power :** 100~240VAC, 50 / 60Hz 0.5A via AC / DC cord
- **Regulatory Approval :** FCC, CE
- **Environmental**
Operating / Storage : 0 to 50°C / -5 to 60°C
Relative humidity : 90%, non-condensing
Shock : 50G peak acceleration (11 ms, half-sine wave)
Vibration : 58~100Hz / 0.98G (11ms / cycle)

Accessories

LCD-A2003

DVI-USB dongle



LCD-A2001

VGA-USB dongle



LCD-A2002

VGA-PS/2 dongle



LCD-A1021

3ft Matrix KVM cascade cable

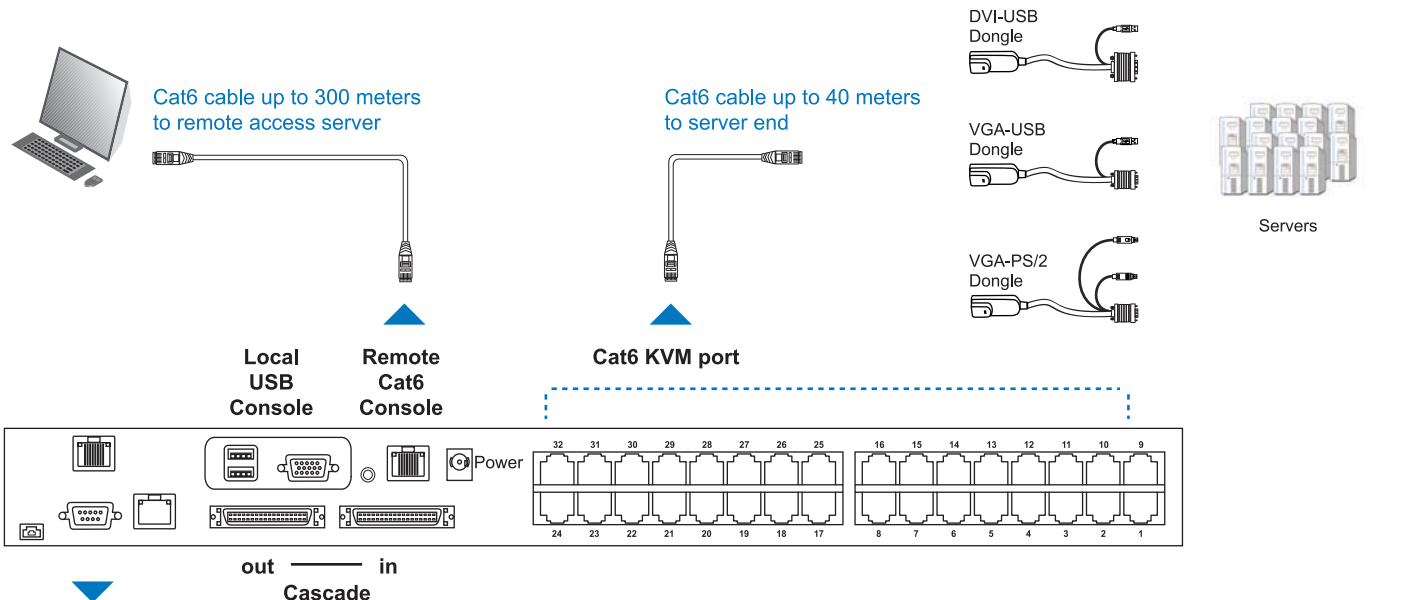
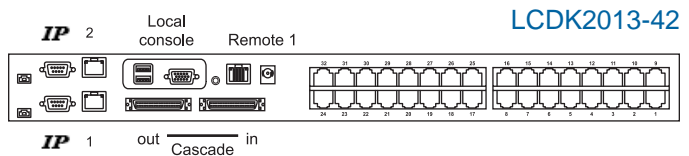
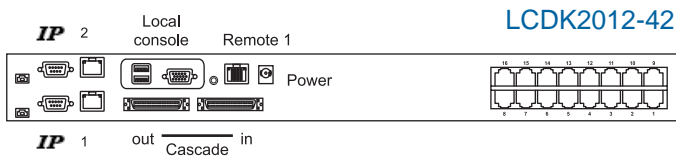
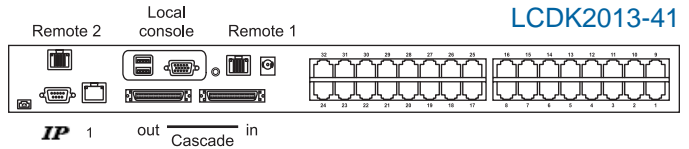
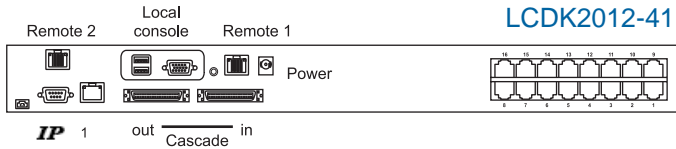
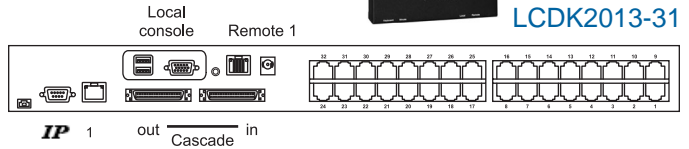
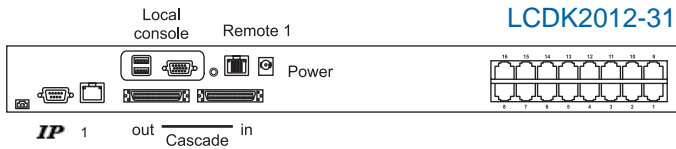


LCD-A2011 LCD-A2012
LCD-A2013 LCD-A2014
LCD-A2015

Cat6 cable - 3, 6, 10, 15 & 33 ft

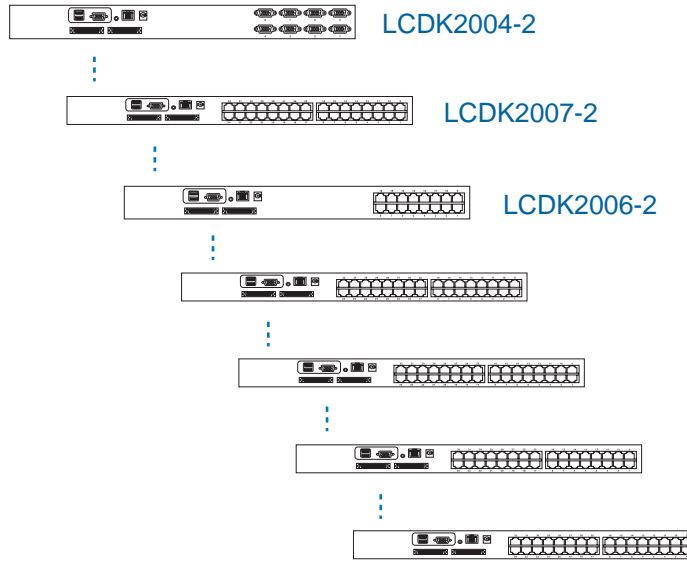


Connect your *Matrix* Multi-User Cat6 *IP* KVM



Additional IP or remote consoles

LCDK2005-2 ■ Cascade up to 8 levels, 256 servers
 ■ Interconnection with Matrix DB-15 KVM



Model	Additional	
	IP	Remote
LCDK2012-31	1	0
LCDK2013-31	1	0
LCDK2012-41	1	1
LCDK2013-41	1	1
LCDK2012-42	2	0
LCDK2013-42	2	0