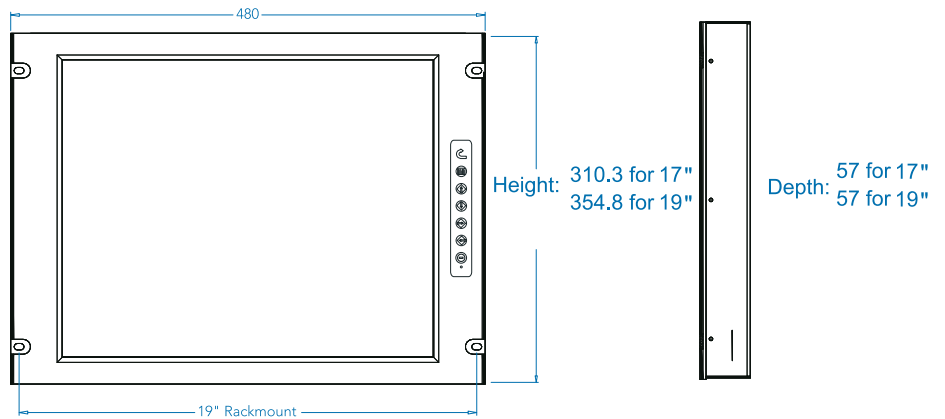


# LCDR7U17-02 / LCDR8U19-02 LCD Rackmount Display



## Options:



## Designed for:



## Diagram

Unit : mm

## Display Features & Options

- 7U with 17" or 8U with 19" SAMSUNG LCD
- Multi lingual on screen display menu
- Touchscreen options
- NEMA 4 and IP65 options
- AV Composite Video, S-Video, DVI and BNC input options
- 12, 24 and 48 volt DC power options

## LCD Display Benefits

- ▶ Wide range of applications including industrial control & CCTV security
- ▶ Stylish 6mm cast aluminium front panel

**Monitor** Grade A industrial TFT LCD panel

- 17" 1280 x 1024 LCD with 300 nit brightness and 1000:1 contrast ratio typical
- 19" 1280 x 1024 LCD with 300 nit brightness and 1000:1 contrast ratio typical

## Ordering Information

	7U 17" LCD	8U 19" LCD
Model	LCDR7U17-02	LCDR8U19-02

## Dimensions

Model	Product Dimension (W x D x H)	Net Weight
LCDR7U17-02	480 x 57 x 310.3 mm 18.9 x 2.2 x 12.2 inch	7 kg / 15 lbs
LCDR8U19-02	480 x 57 x 354.8 mm 18.9 x 2.2 x 14 inch	8 kg / 18 lbs