



Toll Free : 1-888-865-6888

Tel : 510-226-8368 Fax : 510-226-8968

Email : sales@RackmountMart.com

User Manual

RP1415 / 1417 / 1419
1U 15" / 17" / 19" Rackmount
TFT LCD Monitor Drawer

1. Table Of Content

1. Table of Content	P.1
2. Introduction	P.2
3. Features	P.2
4. Package Contents	P.3
5. Optional Accessories	P.4
6. Peripheral Products	P.4
7. Important Safeguards	P.5
8. Structure Diagram	P.6
9. Dimension Diagram	
RP1415	P.7
RP1417	P.8
RP1419	P.9
10. LCD OSD Menu Operation	
LCD Membrane Diagram	P.10
Main Menu	P.10
Sub Menu	P.11-12
11. Resolution Settings	
For Windows	P.13
For Sun Servers	P.14
12. Technical Specification	P.15

2. Introduction

RP series is a monitor with a flip-up design rack-mountable drawer, adjustable brackets, built in LCD OSD to provide effective assistant for an administrator to control system monitor.

RP series provides cost effective for your limited IT budget over using CRT and rack mounting. Also, it will be space saving for your compact environment rack.

3. Features

- Allow viewing through closed glass cabinet door
- Supplied with 12V 5A remote power adapter
- Slide away flip-up monitor.
- Lightweight aluminium construction – with a black anodize finish
- Front-access lock for security
- Standard D-sub 15-pin VGA input connector
- Three models to choose from 15", 17" or 19" LCD Panel
- Built in On Screen Display controlled by integral membrane switches

Disclaimer

This information is subject to change without notice. The producer of this manual accepts no responsibility for damage or claims, resulting from misuse or misinterpretation

4. Package Contents

LCD Monitor	1 Piece
User Manual	1 Piece
DC Power Adapter	1 Piece
Power Cord	1 Piece
Mounting Bracket	1 Pair
Fasteners	4 Pieces
Key for front access lock	2 Pieces
VGA cable (6 feet)	1 Piece

Before Unpacking

It is very important to locate the LCD Monitor in a suitable environment.

- The surface for placing and fixing the LCD Monitor should be stable and level or mounted into a suitable cabinet.
- Make sure the place has good ventilation, is out of direct sunlight, away from sources of excessive dust, dirt, heat, water, moisture and vibration.
- Convenience for connecting the LCD Monitor to the related facilities should be well considers too.

Unpacking

The LCD Monitor comes with the standard parts shown as above. Check and make sure they are included and in good condition. If anything is missing, or damage, contact the supplier immediately.

5. Optional Accessories

- 15" - 19" Touch Screen
- 12V / 24V / 48V DC Power Supply

6. Peripheral Products

Model	Description
RK-1 / RK-2	1U Rackmount Industrial Keyboard Drawer
CV-801	1U 8-Port PS/2 KVM Switch
CV-101	CAT.5 PS/2 KVM Extender
SUN-31	SUN / iMac USB to PS/2 adapter

7. Important Safeguards

Please read all of these instructions carefully before you use the device. Save this manual for future reference.

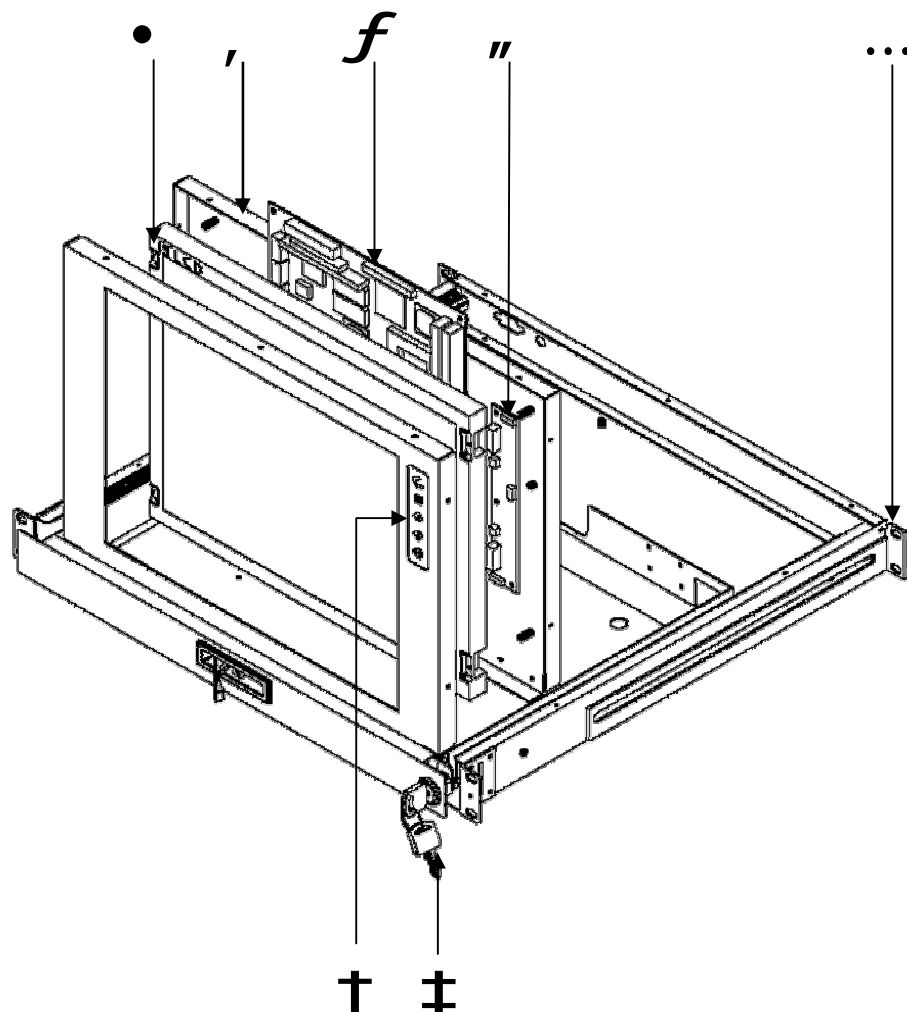
- Unplug the LCD Monitor from the power outlet before cleaning.
- Do not spray liquid cleaners or aerosol directly on the device. Wet a cloth with a neutral detergent (e.g. clean water) and squeeze it tight, then clean the screen slightly with it.
- Do not expose the LCD Monitor directly to rain, water, moisture or sunlight.
- Avoid pressure on the LCD screen to prevent permanent damage to the display.
- Do not attempt to service the device yourself. Improper operation may void your warranty. Refer all servicing to qualified service personnel.
- Safe storage environment of the LCD Monitor is ranging between -20°C and 60°C . Permanent damage could occur if the LCD Monitor is stored outside the safe range.
- Unplug the LCD Monitor immediately and call qualified service personnel under the following conditions:
 1. The VGA signal cord is frayed or damaged.
 2. If the monitor has been exposed to rain, liquid or water.
 3. If the monitor has been dropped or the casing has been damaged.

What the warranty does not cover

1. Any product, on which the serial number has been defaced, modified or removed.
2. Damage, deterioration or malfunction resulting from:
 - a) Accident, misuse, neglect, fire, water, lightning, or other acts of nature, unauthorized product modification, or failure to follow instructions supplied with the product.
 - b) Repair or attempted repair by anyone not authorized by us.
 - c) Any damage of the product due to shipment.
 - d) Removal or installation of the product.
 - e) Causes external to the product, such as electric power fluctuation or failure.
 - f) Use of supplies or parts not meeting our specifications.
 - g) Normal wear and tear.
 - h) Any other causes which does not relate to a product defect.
3. Removal, installation, and set-up service charges.

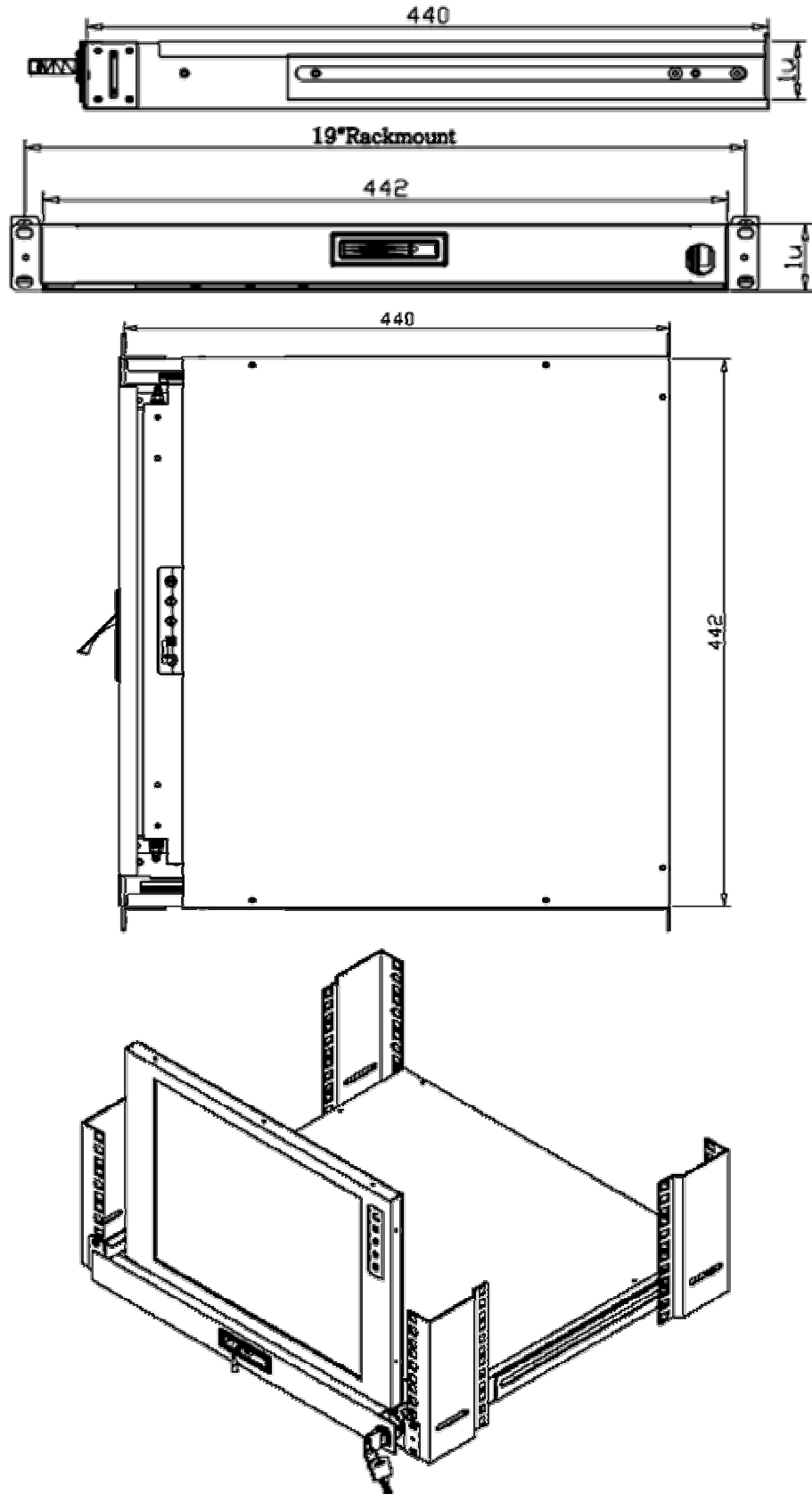
8. Structure Diagram

1. Class A active matrix TFT LCD panel
2. Rear metal case
3. Analog to digital signal converter board
4. LCD inverter
5. Adjustable mounting bracket
6. LCD membrane
7. Security lock



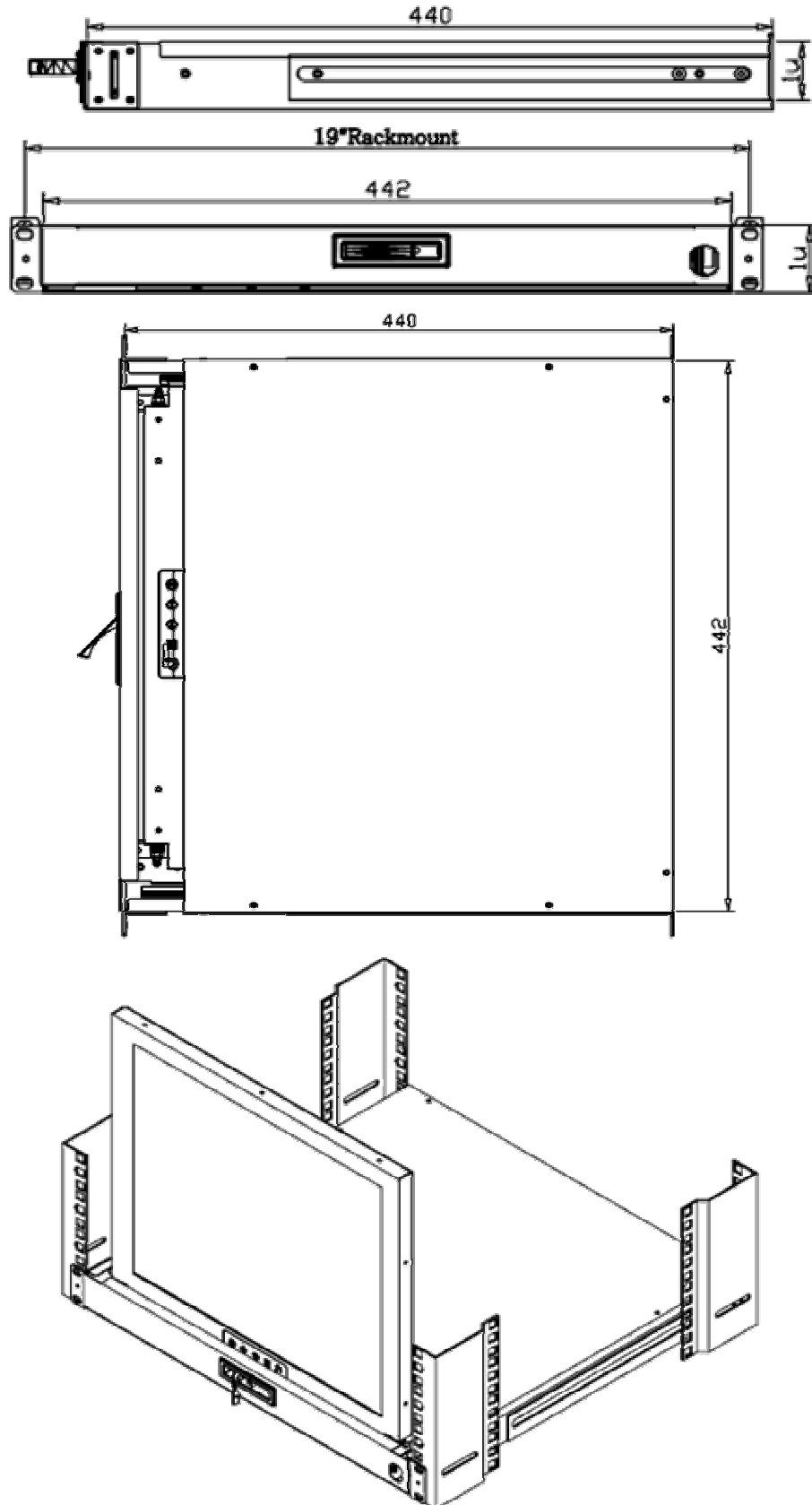
9. Dimension Diagram

RP1415 1U 15" LCD Drawer



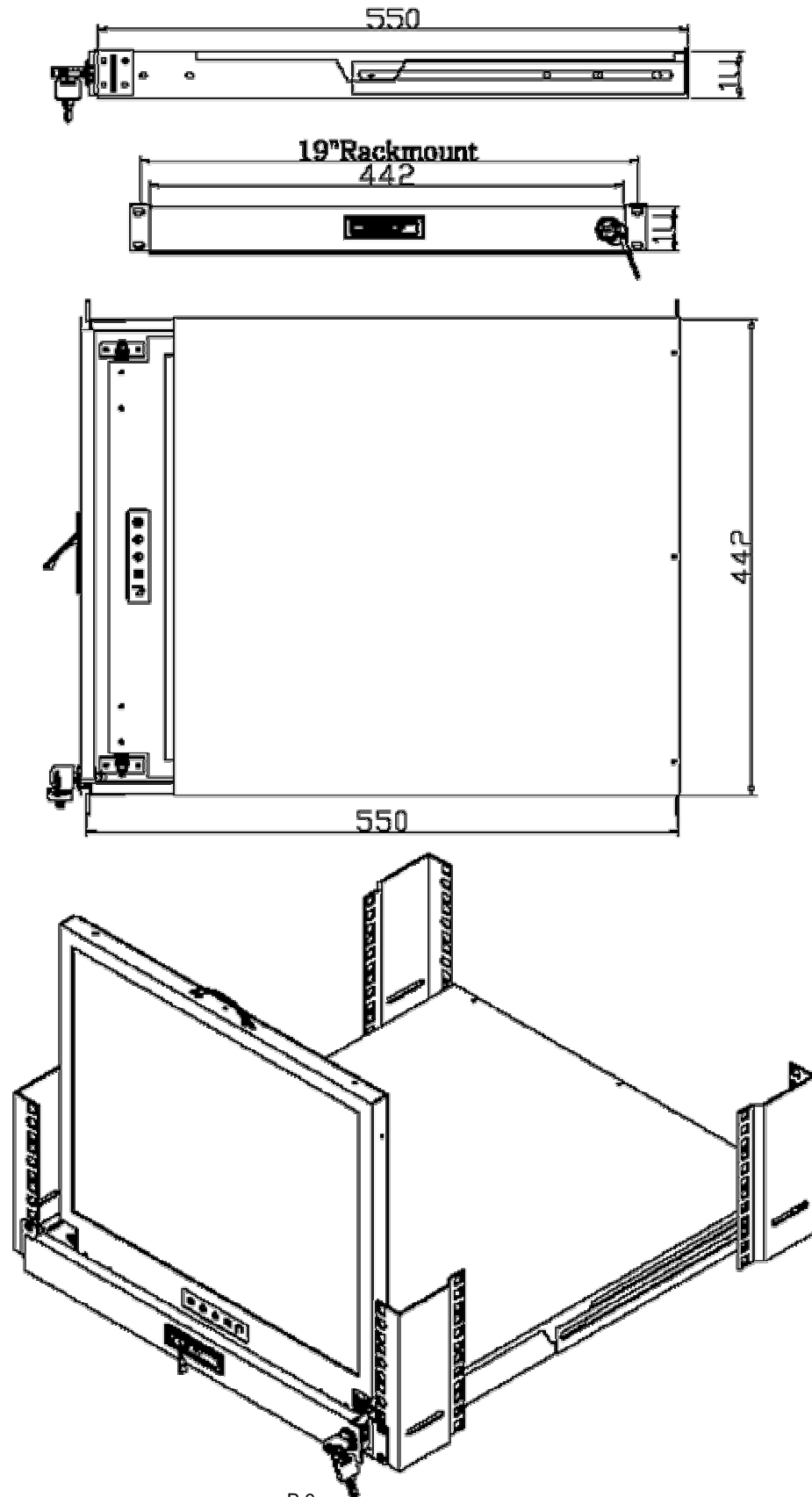
9. Dimension Diagram

RP1417 1U 15" LCD Drawer



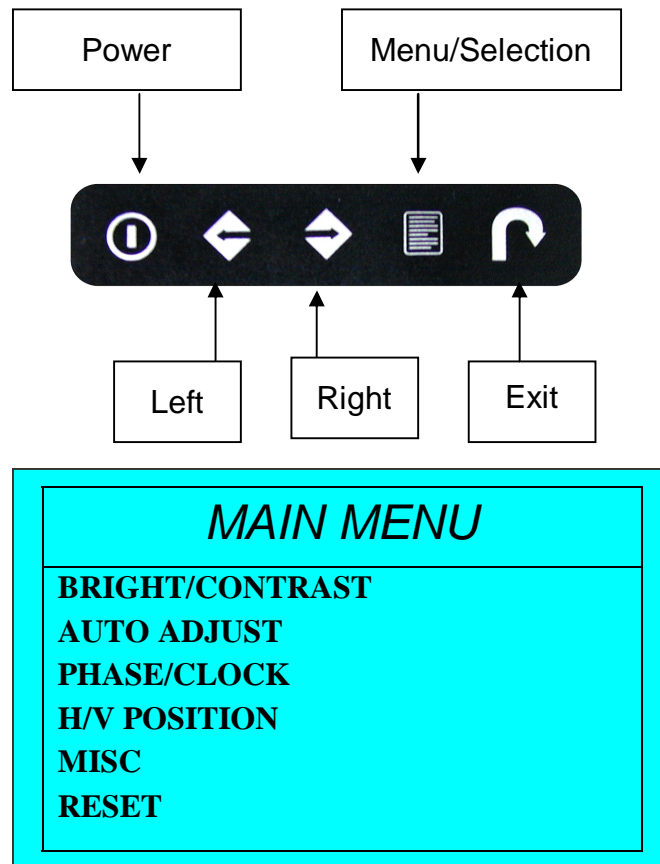
8. Dimension Diagram

RP1419 1U 15" LCD Drawer



10. LCD OSD Menu Operation

LCD Membrane Diagram



Main Menu

Bright / Contrast

- To enter into the Bright, Black level & Contrast sub-menu

Auto Adjust

- To perform automatic optimisations of all functions
- An “ Adjusting ” message is displayed during the process

Phase / Clock

- To enter into the phase & clock sub menu

H/V Position

- To enter into the Position sub-menu

MISC

- To enter into the MISC sub-menu


Reset

- Reset to the default factory settings


10. LCD OSD Menu Operation

Bright / Contrast

1. Brightness

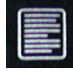
- To perform brightness adjustment of the input RGB signal
- Use the Left & Right button to adjust and button  to “Brightness”

2. Contrast


- To adjust the contrast level of the input signal
- Use the Left & Right button to adjust and button  to “Contrast”

Phase / Clock

1. Phase


- To adjust input video sampling clock's phase
- Use the Left & Right button to adjust and button  to “Phase”

2. Clock


- To adjust input video sampling clock
- Use the Left & Right button to adjust and button  to “Clock”

H/V Position

1. H.Position

- To adjust the horizontal size of the frame
- Use the Left & Right button to adjust and button  to “H.position”.

2. V.Position

- To adjust the vertical position of the frame
- Use the Left & Right button to adjust and button  to “V.position”.

10. LCD OSD Menu Operation

MISC

1. Information

- The first header row shows the current resolution setup
- The second header row shows the horizontal frequency of the current input signal
- The third header row shows the vertical frequency of the current input signal

2. OSD Timer

- To modify the duration of the OSD time-out

3. Color

a) 5500K

- Select Colour Temp at 5500K

b) 6500K

- Select Colour Temp at 6500K

c) 9500K

- Select Colour Temp at 9500K

d) User

- Change Colour Temp by manual

4. Language

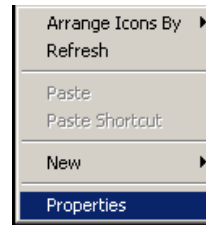
- To select the language of OSD menu 7 Languages :
 - (1) English
 - (2) Japanese (日本語)
 - (3) Chinese (中文)
 - (4) German
 - (5) Francais
 - (6) Espanol
 - (7) Italiano

11. Resolution Settings

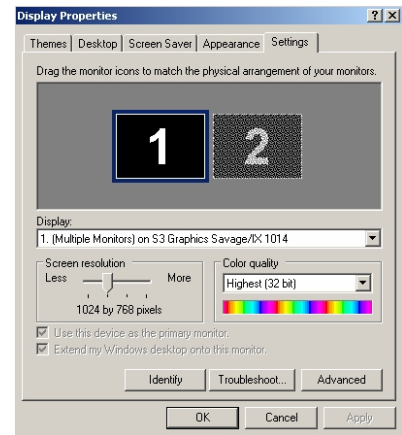
For Microsoft Windows

Step 1 – Press right click on the desktop

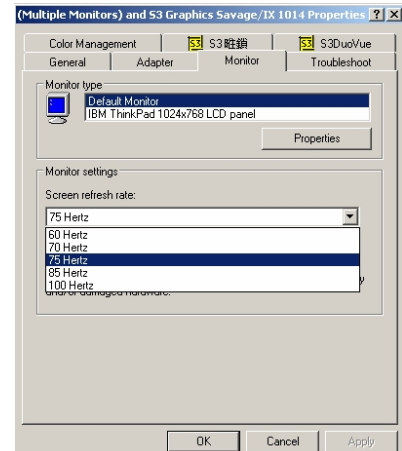
Step 2 – Choose “Properties”



Step 3 – Change the “Screen Resolution”



Step 4 – Change the “Screen refresh rate”



11. Resolution Settings

For SUN Servers


- Resolution configuration procedures should be run by qualified SUN server administrator
- Sun Servers are using resolution at 1152 x 900 x 76Hz.
- Supported resolution mode for 15" LCD:
 - 1024 x 768 x 70/75Hz
- Supported resolution mode for 17" LCD:
 - 1280 x 1024 x 75Hz
- You need to change the Sun Server resolution before you connect to LCD Display.
- Please do the following procedures to change the resolution settings :
 1. As root:
You may find the following comment `"/user/sbin/m64config"`.
 2. To view current resolution:
Type `"/user/sbin/m64config – prconf"`.
 3. To change to 1024x768 @ 70MHz:
Type `"/user/sbin/m64config – res 1024x768x70 now"`.
 4. The screen will be rubbish.
 5. Then type `"pkill Xsun"`.
And Type `"pkill Xsession"` to restart the Xsession.

Note : Remember to RESTART the server after these processes.

- Under Common Desktop Environment (CDE).
- To change the OpenBoot resolution, you can type the following command in OK prompt.
 1. In OK prompt, type `"setenv output-device screen:r1024x768x70"`.
 2. Type `"printenv"` to confirm the resolution has been changed to 1024x768x70Hz.
 3. Then type, `"reset"` to restart the system.

Note : Remember to RESTART the server after these processes

12. Technical Specification

Item	Description		
LCD Screen Manufacturer			
LCD Origin	South Korea		
Panel	15" TFT	17" TFT	19" TFT
Resolution	1,024 x 768	1,280 x 1,024	1,280 x 1,024
Brightness	300 cd/m ²	350 cd/m ²	500 cd/m ²
Color	16.2 Million	16.2 Million	16.7 Million
Contrast Ratio	450:01:00	350:01:00	500:01:00
Viewing Angle	140° x 125°	140° x 120°	170° x 170°
Display Area	304 x 228 mm	337 x 270 mm	376 x 301 mm
Pixel Pitch	0.297 mm	0.264 mm	0.294 mm
Response Time (Tr)	5ms		15ms
Response Time (Tf)	20ms		10ms
Back Light	4 x Cold Cathode Fluorescent Tube		
Horizontal Sync.	48.4 kHz	64 ~ 80 kHz	64 kHz
Vertical Sync.	65 MHz	60 ~ 75 Hz	60 Hz
Input Signal	Analog RGB 0.7Vp-p		
Power Management	VESA DPMS		
OSD Control	Brightness, Contract, Colour, Clock		
	H.Position, V.Position, Phase, Scaling		
	Auto Config., Input Select, Multi-Window		
	Clear EEPROM, OSD adjust		
Power Input	12V DC Adapter		
Video Input	15-pin D-Sub Connector		
Dimension	439(W) x 44(H) x 550(D) mm		
Weight	RP1415 : 10kg / 1417 : 11.5kg / 1419 : 13kg		

*All brand names, logo registered trademarks are properties of their respective owners.