



Synergy Global Technology Inc

www.RackmountMart.com

Toll Free: 1-888-865-6888

Tel: 510-226-8368 Fax: 510-226-8968

Email: sales@RackmountMart.com

User Manual

1U LCD Keyboard Drawer
17", 19" screen size



Models
LCD1U17-15 / LCD1U19-07 Series

- With KVM options



Models
LCD1U17-17 / LCD1U19-09 Series

- Short depth version
- Without KVM options

Contents

Chapter 1	Getting Started	
1.1	Important Safeguards.....	1
1.2	Regulatory Notice.....	2
1.3	Package Contents.....	3
1.4	Before Installation.....	4
1.5	Unpacking.....	4
1.6	Optional Accessories.....	4
1.7	Peripheral Products.....	5
1.8	Structure Diagram.....	5
1.9	Installation.....	6
1.10	How to Use the LCD Keyboard Drawer.....	7
1.11	How to Use the Slides.....	8
1.12	How to Use "One Man" Installation Slides	9-11
1.13	Connect to Server via USB Interface.....	12
1.14	Connect to KVM via USB Interface.....	12
1.15	Connect to Server via PS/2 Interface.....	13
1.16	Connect to KVM via PS/2 Interface.....	13
Chapter 2	Operation	
2.1	On-screen Display Operation.....	14
2.2	On-screen Menu.....	15
Chapter 3	Standard Specification	
3.1	Specifications.....	16
3.2	Keyboard & Mouse.....	17
Chapter 4	Optional Specification	
4.1	KVM Options.....	18
4.2	DVI-D Input Option.....	18
4.3	S-Video + RCA Input Option.....	18
4.4	S-Video + BNC Input Option.....	19
4.5	On-screen Menu for DVI, BNC, S-Video & RCA Input....	20-21
4.6	DC power Options.....	22
Chapter 5	Troubleshooting	23
Chapter 6	Dimensions	24

1.1 Important Safeguards

Chapter 1

Please read all of these instructions carefully before you use the device. Save this manual for future reference.

What the warranty does not cover

- Any product, on which the serial number has been defaced, modified or removed.
- Damage, deterioration or malfunction resulting from:
 - Accident, misuse, neglect, fire, water, lightning, or other acts of nature, unauthorized product modification, or failure to follow instructions supplied with the product.
 - Repair or attempted repair by anyone not authorized by us.
 - Any damage of the product due to shipment.
 - Removal or installation of the product.
 - Causes external to the product, such as electric power fluctuation or failure.
 - Use of supplies or parts not meeting our specifications.
 - Normal wear and tear.
 - Any other causes which does not relate to a product defect.
- Removal, installation, and set-up service charges.

Legal Information

First English printing, October 2002

Information in this document has been carefully checked for accuracy; however, no guarantee is given to the correctness of the contents. The information in this document is subject to change without notice. We are not liable for any injury or loss that results from the use of this equipment.

Safety Instructions

- Unplug equipment before cleaning. Don't use liquid or spray detergent; use a moist cloth.
- Keep equipment away from excessive humidity and heat. Preferably, keep it in an air-conditioned environment with temperatures not exceeding 40° Celsius (104° Fahrenheit).
- When installing, place the equipment on a sturdy, level surface to prevent it from accidentally falling and causing damage to other equipment or injury to persons nearby.
- When the drawer is in an open position, do not cover, block or in any way obstruct the gap between it and the power supply. Proper air convection is necessary to keep it from overheating.
- Arrange the equipment's power cord in such a way that others won't trip or fall over it.
- If you are using a power cord that didn't ship with the equipment, ensure that it is rated for the voltage and current labeled on the equipment's electrical ratings label. The voltage rating on the cord should be higher than the one listed on the equipment's ratings label.
- Observe all precautions and warnings attached to the equipment.
- If you don't intend on using the equipment for a long time, disconnect it from the power outlet to prevent being damaged by transient over-voltage.
- Keep all liquids away from the equipment to minimize the risk of accidental spillage. Liquid spilled on to the power supply or on other hardware may cause damage, fire or electrical shock.
- Only qualified service personnel should open the chassis. Opening it yourself could damage the equipment and invalidate its warranty.
- If any part of the equipment becomes damaged or stops functioning, have it checked by qualified service personnel.

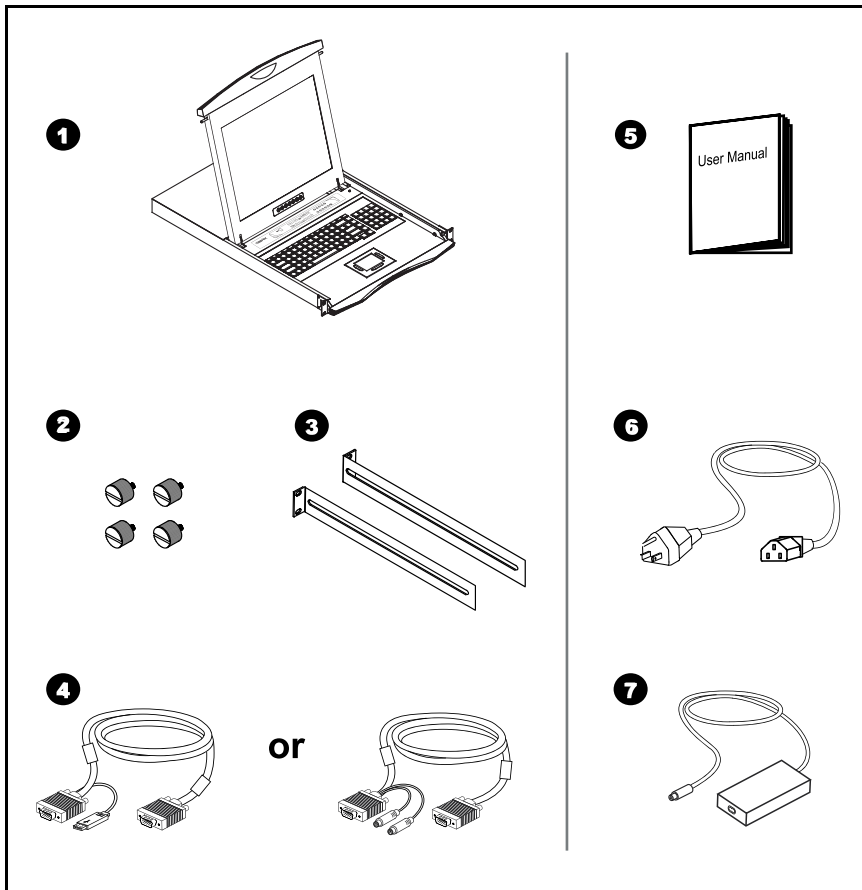
Regulatory Notices Federal Communications Commission (FCC)

This equipment has been tested and found to comply with the limits for a Class B digital device, pursuant to Part 15 of the FCC rules. These limits are designed to provide reasonable protection against harmful interference in a residential installation.

Any changes or modifications made to this equipment may void the user's authority to operate this equipment. This equipment generates, uses, and can radiate radio frequency energy and, if not installed and used in accordance with the instructions, may cause harmful interference to radio communications.

However, there is no guarantee that interference will not occur in a particular installation. If this equipment does cause harmful interference to radio or television reception, which can be determined by turning the equipment off and on, the user is encouraged to try to correct the interference by one or more of the following measures:

- Re-position or relocate the receiving antenna.
- Increase the separation between the equipment and receiver.
- Connect the equipment into an outlet on a circuit different from that to which the receiver is connected.



- ① LCD keyboard drawer x 1 pc
- ② Fasteners for rear L-bracket x 4 pcs
- ③ 330mm rear mounting L-bracket x 1 pair
 - * LCD1U17-15 / LCD1U19-07 series mounting depth-adjustable from 315 to 880mm
 - * LCD1U17-17 / LCD1U19-09 series mounting depth-adjustable from 140 to 710mm
- ④ **LCD-A1014** 2-in-1 USB KVM cable x 1 pc **OR** **LCD-A1004** 3-in-1 PS/2 KVM cable x 1 pc
- ⑤ User manual x 1 pc
- ⑥ Power cord x 1 pc
- ⑦ Auto switch power adapter (for external power version) x 1pc

1.4 Before Installation

- It is very important to locate the LCD Keyboard Drawer in a suitable environment.
- The surface for placing and fixing the LCD Keyboard Drawer should be stable and level or mounted into a suitable cabinet.
- Make sure the place has good ventilation, is out of direct sunlight, away from sources of excessive dust, dirt, heat, water, moisture and vibration.
- Position LCD Keyboard Drawer with respect to related facilities.

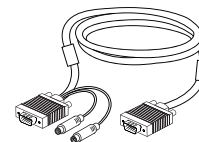
1.5 Unpacking

The LCD keyboard drawer comes with the standard parts shown on the package contents. Check and make sure they are included and in good condition. If anything is missing, or damage, contact the supplier immediately.

1.6 Optional Accessories

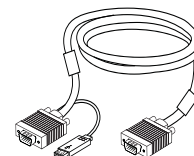
1. PS/2 3-in-1 KVM cable

- 1.1 LCD-A1004 6 feet
- 1.2 LCD-A1005 10 feet
- 1.3 LCD-A1006 15 feet
- 1.4 LCD-A1007 33 feet



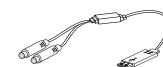
2. USB 2-in-1 KVM cable

- 2.1 LCD-A1014 6 feet
- 2.2 LCD-A1015 10 feet
- 2.3 LCD-A1016 15 feet



3. SUN / iMAC USB to PS/2 adapter

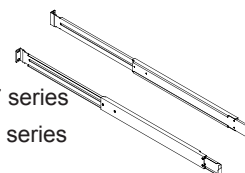
- 3.1 LCD-A1001 kit



4. "One Man" installation slides

- 4.1 Type1 Single or "One Man " installation slides for LCD1U17-15 / LCD1U19-07 series
- 4.2 Type2 Single or "One Man " installation slides for LCD1U17-17 / LCD1U19-09 series

* Please refer to P.9 - 11 for Installation guidelines



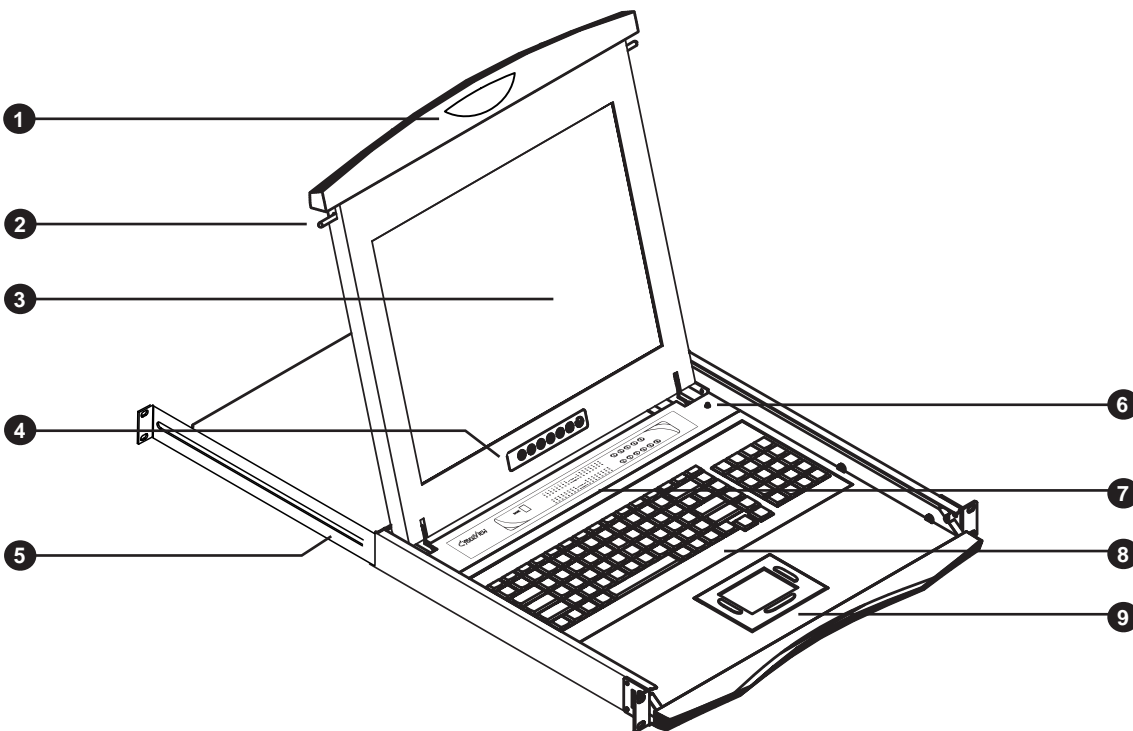
5. Power Cord

- 5.1 IEC power cord
- 5.2 NEMA 5-15 power cord (US)
- 5.3 BS 1363 power cord (UK)
- 5.4 CEE 7/4 power cord (German)
- 5.5 AS 3112 power cord (Australia)



Item	Model No.	Description
DB-15 KVM	Lcdk1038 / Lcdk1039	8 / 16-port IP PS/2 KVM
	Lcdk1024 / Lcdk1025	8 / 16-port two console PS/2 KVM
	Lcdk1009 / Lcdk1010 / Lcdk1011	4 / 8 / 16-port PS/2 KVM
	Lcdk1020 / Lcdk1021	8 / 16-port USB KVM
Cat5 KVM	Lcdk1047 / Lcdk1048	16 / 32-port IP Cat5 KVM
	Lcdk1045 / Lcdk1046	16 / 32-port two console Cat5 KVM
	Lcdk1043 / Lcdk1044	16 / 32-port high density Cat5 KVM

1.8 Structure Diagram



- ① Carry handle to release the 2-pt lock
- ② 2-point lock
- ③ LCD interchangeable module kit
- ④ LCD membrane
- ⑤ Adjustable rear mounting L-bracket
- ⑥ Micro switch for screen auto power off
- ⑦ Membrane switch (KVM option)
- ⑧ Keyboard interchangeable module kit
- ⑨ Mouse interchangeable module kit

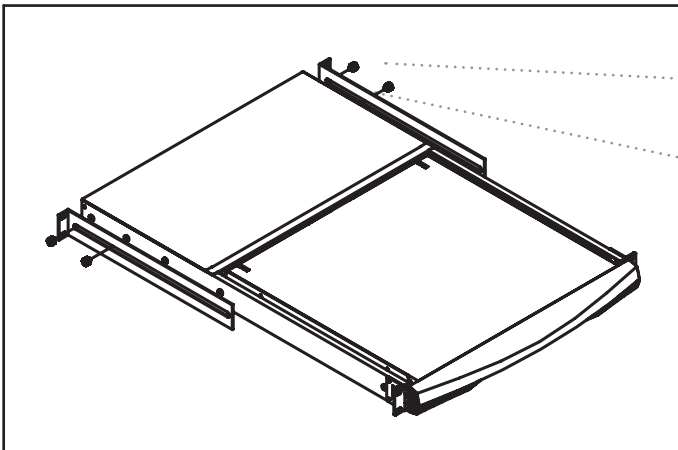
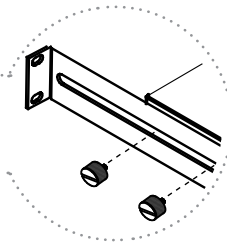


Figure 1. Installing the rear L-bracket to the LCD keyboard drawer.



- Install each rear L-bracket using two fasteners shown in **Figure 1**.
- Leaving the fasteners slightly loose.

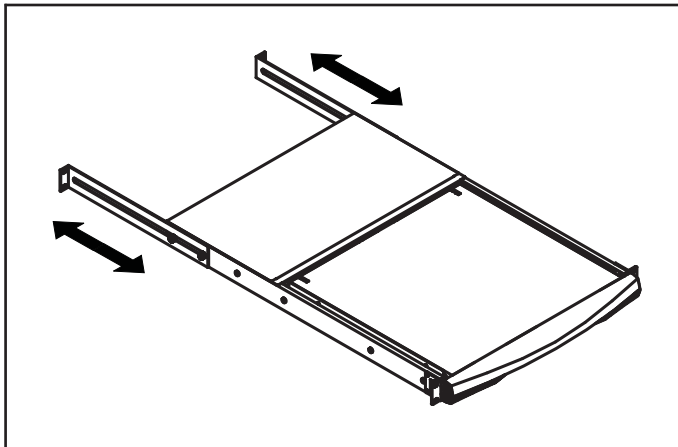


Figure 2. Aligning the rear L-brackets to a suitable length for the rack.

- Measure the front and rear mounting depth of the rack.
- Align each rear L-bracket to a suitable length and tighten the fasteners shown in **Figure 2**.

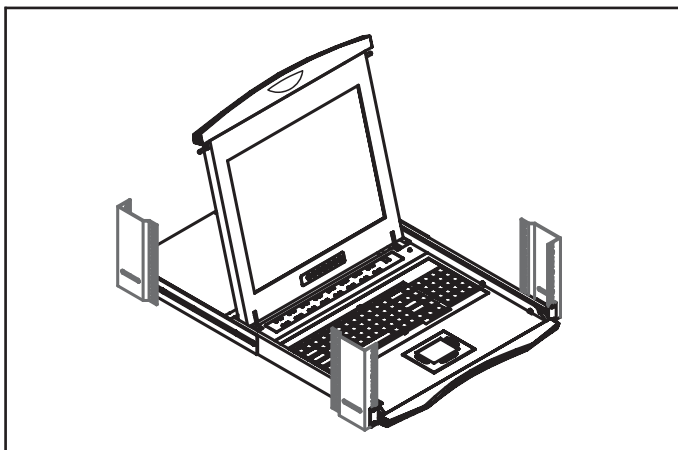


Figure 3. Fixing the LCD keyboard drawer into the rack.

- Fix the LCD keyboard drawer into the rack.
- * Hardware (screws and cage nuts) for fixing the mounting bracket to the rack is not provided.



Figure 4. Pulling the tab toward the front of LCD.

- Gently pull the tab toward the front of the LCD shown in **Figure 4**.



Figure 5. Flipping up the LCD to a suitable angle.

- Flip up the LCD to a suitable angle shown in **Figure 5**.



Figure 6. Operating the LCD keyboard drawer

- Operate the LCD keyboard drawer shown in **Figure 6**.



Figure 7. White arrow button.

- A white arrow release button is located on the outside of each slide (shown in **Figure 7**).



Figure 8. Pushing the white arrow button.

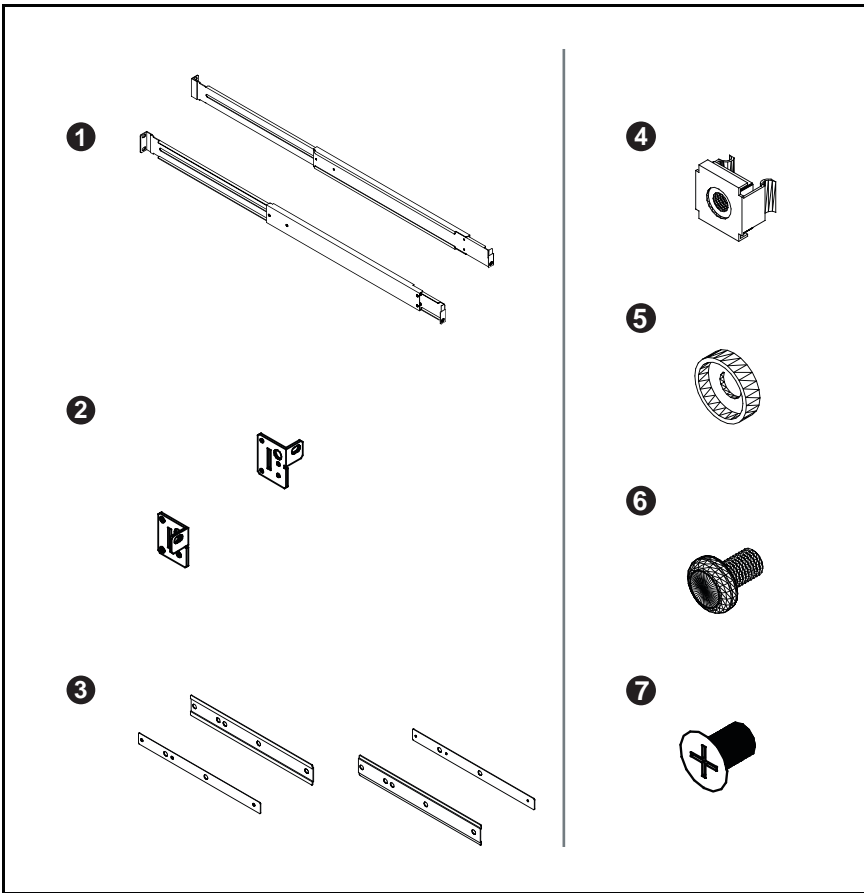
- Push the white arrow button on either side of the LCD keyboard drawer to unlock (shown in **Figure 8**). Avoid pressing the red button located on either side.



Figure 9. Pushing the LCD keyboard drawer into the rack.

- Hold down the white arrow button until the LCD keyboard drawer is located in the rack (shown in **Figure 9**).

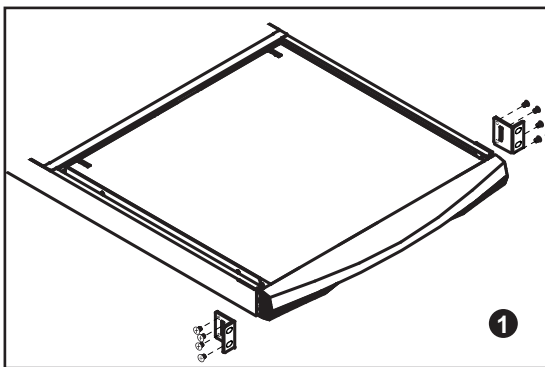
Package Contents



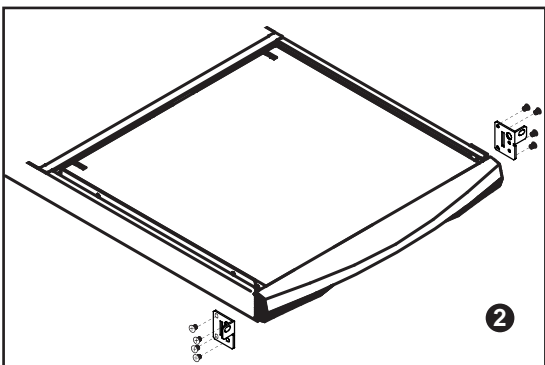
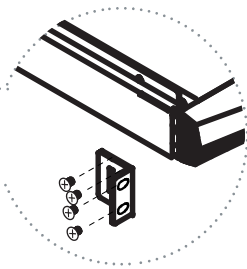
Model No : Type1

- ① Mounting bracket x 2 pcs
- ② Front mounting ear (left & right) x 2 pcs
- ③ Support bracket x 4 pcs
- ④ M6 cage nut x 6 pcs
- ⑤ M6 washer x 8 pcs
- ⑥ M6*15mm screw x 8 pcs
- ⑦ M3.2*4.5mm screw x 14 pcs

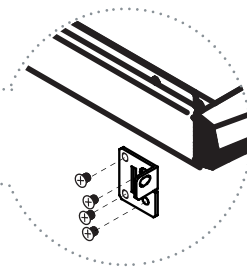
Install the Front Mounting Ear x 2 pcs



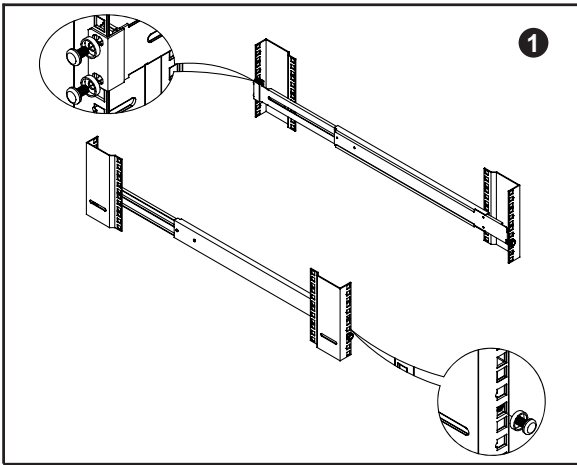
■ Disassemble the standard front mounting ears carefully.



■ Install the optional front mounting ears with M3.2*4.5mm screw x 8 pcs.



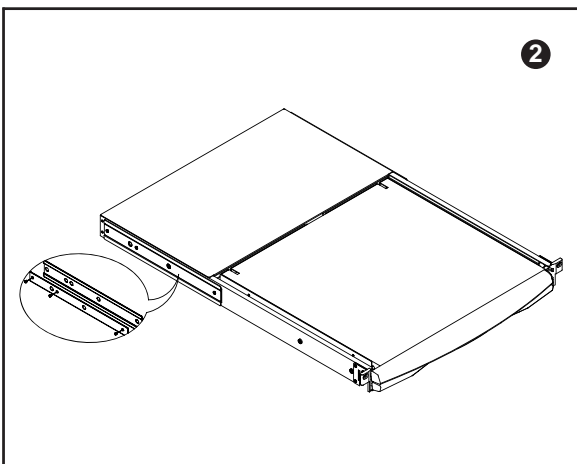
Install into rack



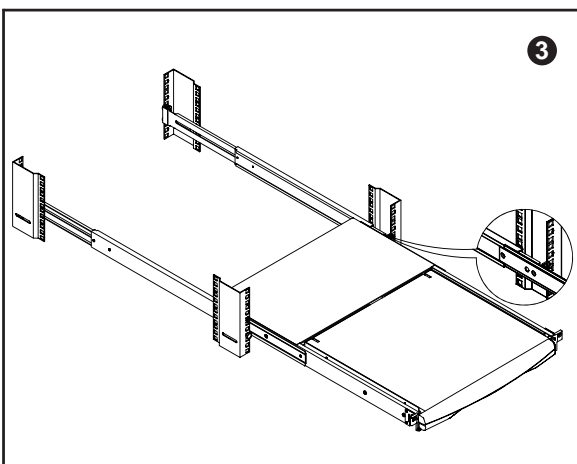
Model No : Type1

- Attach the mounting bracket to vertical mounting rails.
- Adjust the rear mounting bracket to fit your rack.
- Repeat the above steps for the other side

Caution : Leaving the screws slightly loose (Not release).



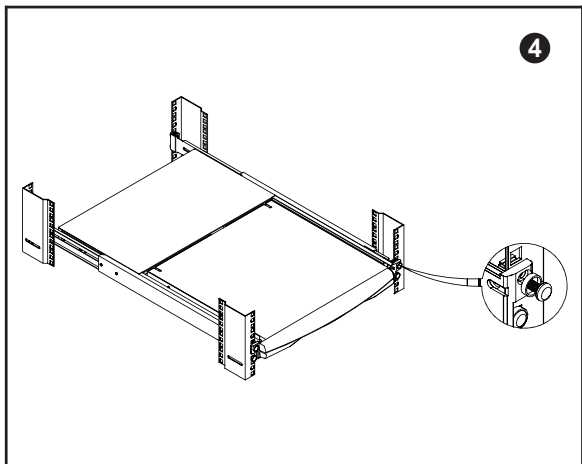
- Attach support brackets to chassis with M3.2*4.5mm screw x 3 pcs.
- Repeat the above step for the other side.



- Pickup the chassis.
- Insert inner members of slides into the already mounted internal slide members in the rack.
- Push the white arrow button on each slide that is installed on the LCD keyboard drawer to unlock (Push at the same time).

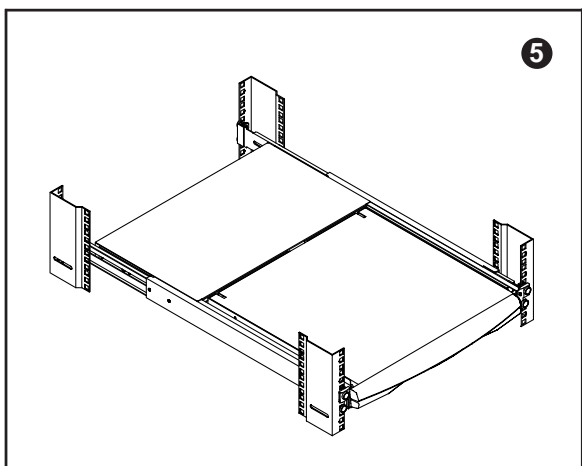
Caution : Be careful when pushing the chassis into the left and right slides. Avoid pressing the red button located on either side of the slide.

Install into rack



Model No : Type1

- Hold down the white arrow button and push the chassis to the end.
- Attach left and right mounting ears to vertical mounting rails.
- Tighten the screws on both sides.



- Installation completed.

Remarks :

- Type1 is for LCD1U17-15 / LCD1U19-07 series only.
- Type2 is for LCD1U17-17 / LCD1U19-09 series only.
- Installation procedures of Type2 are same to that of Type1.

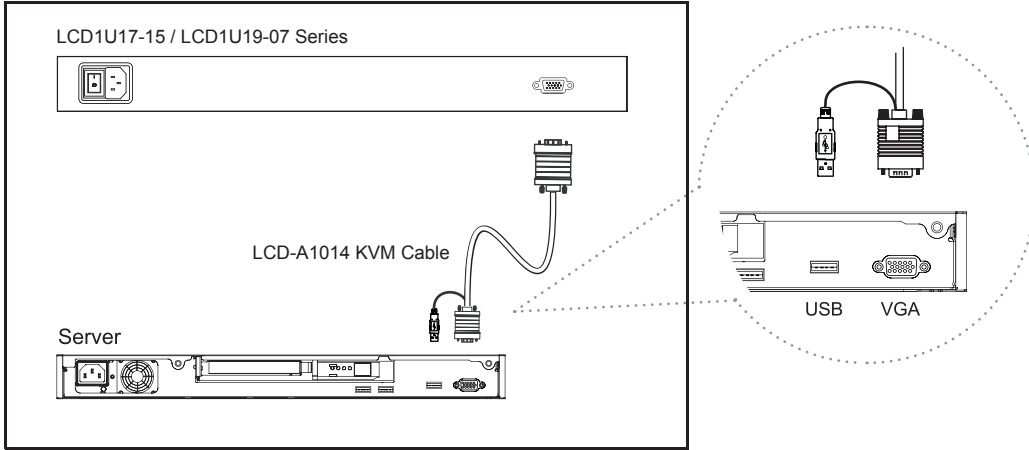


Figure 10. Example of connecting LCD-A1014 2-in-1 USB KVM cable to server via USB interface

1.14 Connect to KVM via USB Interface

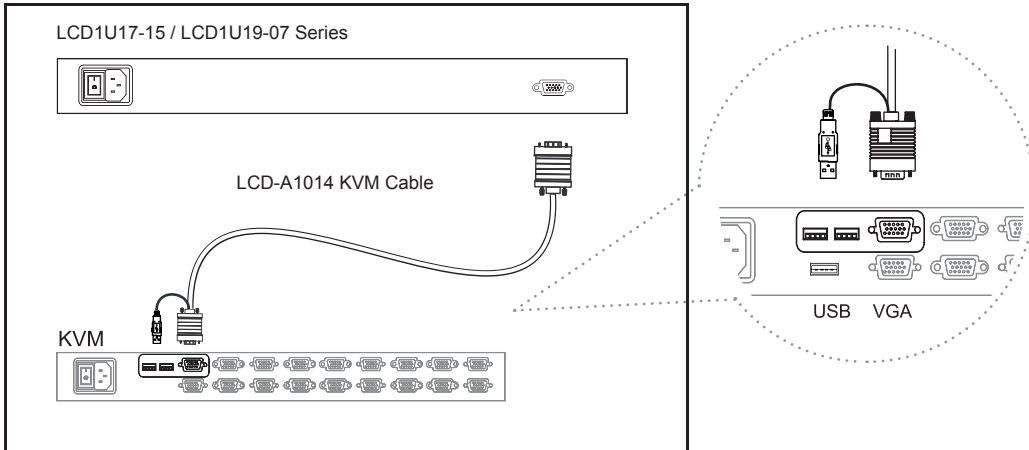


Figure 11. Example of connecting LCD-A1014 2-in-1 USB KVM cable to KVM via USB interface

Remarks :

- LCD1U17-17 / LCD1U19-09 series are external power versions.
- The above connection is only for the LCD keyboard without KVM switch built-in.
- For the LCD keyboard drawer with KVM switch built-in, please refer to attached KVM switch user manual.

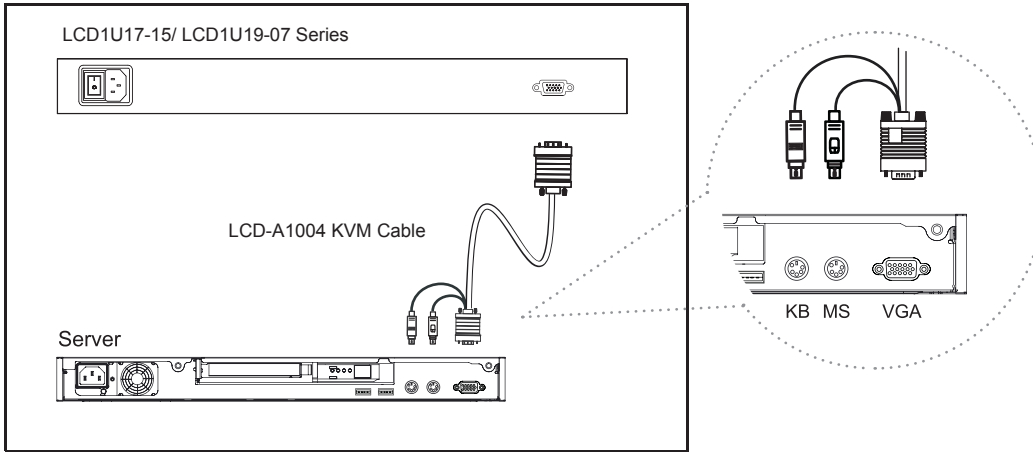


Figure 12. Example of connecting LCD-A1004 3-in-1 PS/2 KVM cable to server via PS/2 interface

1.16 Connect to KVM via PS/2 Interface

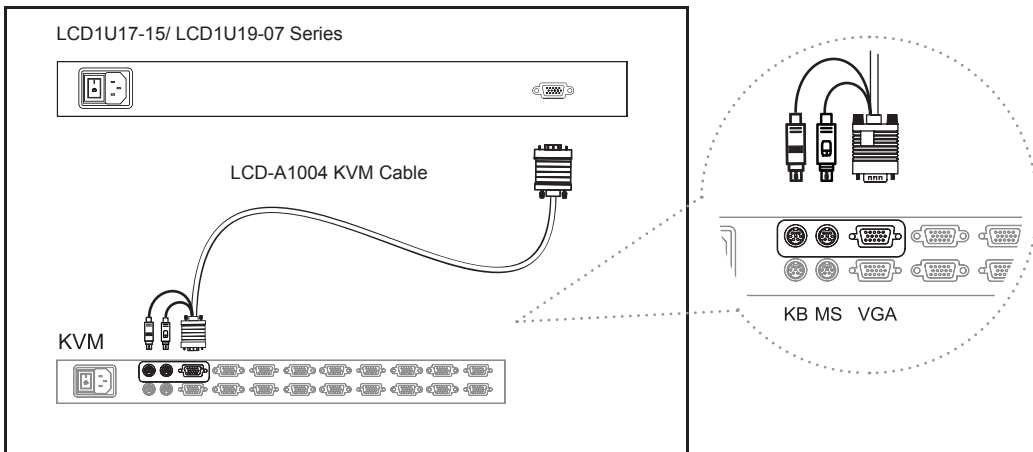


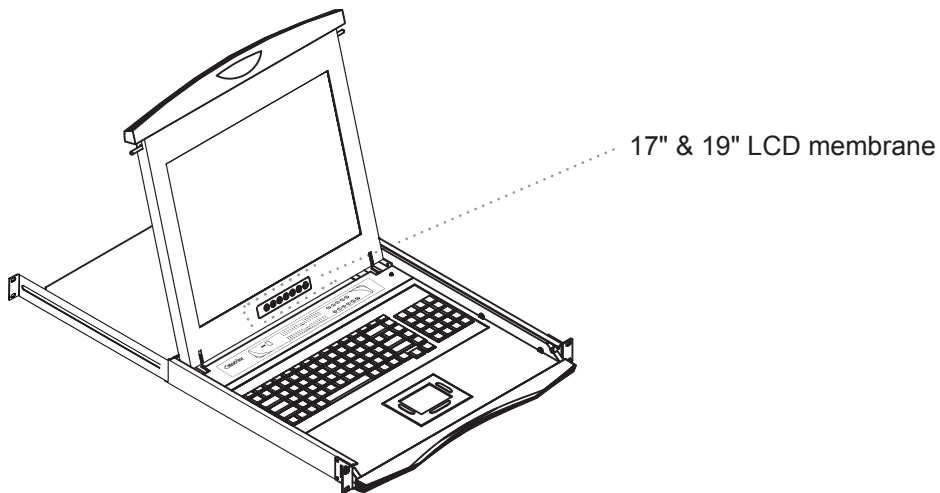
Figure 13. Example of connecting LCD-A1004 3-in-1 PS/2 KVM cable to KVM via PS/2 interface

Remarks :

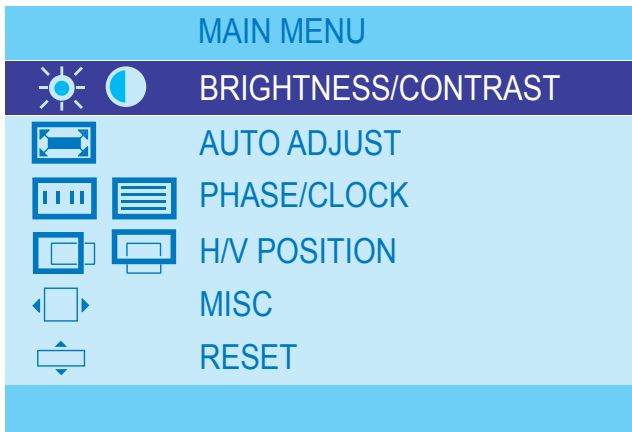
- LCD1U17-15 / LCD1U19-07 series are external power versions.
- The above connection is only for the LCD keyboard without KVM switch built-in.
- For the LCD keyboard drawer with KVM switch built-in, please refer to attached KVM switch user manual.



Caution : The LCD keyboard drawer is hot-pluggable, but components of connected devices, such as the servers and KVM switch, may not be hot-pluggable. Plugging and unplugging cables while servers and KVM are powered on may cause irreversible damage to the servers, KVM and LCD keyboard drawer. Before attempting to connect anything to the LCD keyboard drawer, we suggest turning off the power to all devices before connecting them. Apply power to connected devices again only after the LCD keyboard is receiving power. The company is not responsible for damage caused in this way.



Membrane Switch	Function
<ul style="list-style-type: none"> ○ ● ● 	Power light Green = On Orange = Power saving
	Power on / off LCD
	Display the OSD menu
	Scrolls through menu options and adjusts the displayed control
	Exit the OSD screen Shortcut key to auto adjustment by pressing the button for 5 seconds OR Toggle analog, digital & video connection (DVI-D and video options only)



BRIGHTNESS / CONTRAST

Brightness: Adjust background black level of the screen image.

Contrast: Adjust the difference between the image background (black level) and the foreground (white level).

AUTO ADJUST

Auto Adjust: Fine tunes the video signal to eliminate waviness and distortion. An "Adjusting" message is displayed during the process.

Auto Tune: Optimize phase, clock, position and size. An "Adjusting" message is displayed during the process.

PHASE/CLOCK

Phase / Clock: To enter into the phase & clock sub menu.

H/V POSITION

H/V Position: Align the screen image left or right and up or down.

MISC


Information: Display the current resolution, refresh rate and frequency information on the screen.

OSD Timer: Set the time duration in seconds that the OSD is visible after the last button is pressed. The factory default is 10 seconds.

Color: Select the screen color - 5500K, 6500K & 9500K. The factory default is 9500K.

Language: Select the language in which the OSD menu is displayed - English, Chinese (中文), Japanese (日本語), German, French, Spanish, Italian.

RESET Restore the settings to factory defaults.

Item	Description	
Form Factor	1U rack mounting on slide-out rails	
LCD Manufacturer		
Diagonal Size	17" TFT	19" TFT
Max. Resolution	1280 x 1024	1280 x 1024
Brightness (cd/m ²)	300	300
Color Support	16.7 Mil.	16.7 Mil.
Contrast Ratio (typ.)	1000:1	1000:1
Viewing Angle (H/V)	160° x 160°	160° x 160°
Display Area (mm)	338 x 270	376 x 301
Tr Response Time (ms)	1.3	1.3
LCD Panel MTBF (hrs)	50,000	50,000
VGA Signal Input	Analog RGB, 0.7Vp-p	
Sync. Type	Separate H/V, Composite, SOG	
Resolution	640 x 350, 70Hz	
	720 x 400, 70Hz	
	640 x 480, 60 / 72 / 75Hz	
	800 x 600, 60 / 70 / 72 / 75Hz	
	1024 x 768, 60 / 70 / 72 / 75Hz	
	1152 x 864, 60 / 70 / 75Hz	
	1280 x 1024, 60 / 70 / 75Hz	
Plug & Play DDC	EDID 1.3	
Console Port (Combo)	3-in-1 DB-15 connector for VGA / keyboard / mouse Support USB & PS/2 servers or KVM switches	
Power Input	Auto-sensing 100 to 240VAC, 50 / 60Hz	
Power Consumption	Max. 40 Watt, Standby 5 Watt	
Compatibility	Multi-platform - Mix PCs, SUNs, IBMs, HPs & DELLs.	
Regulation Approval	FCC, CE	

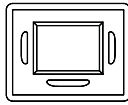
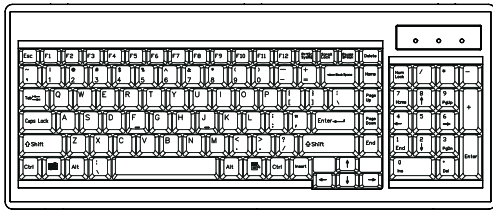
Options

KVM Integration	Cat5 & DB-15 KVM with IP console and 2-console selection
Keyboard & mouse	Full-size multilingual keyboard with touchpad or trackball
Graphic Input	DVI-D, BNC, S-Video & RCA video input
DC Power	DC power input with 12V, 24V, 48V selection

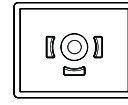
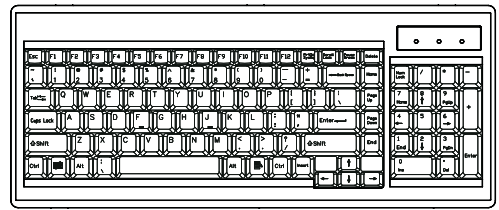
Environmental

Operation	0° to 50°C Degree
Storage	-5° to 60°C Degree
Relative Humidity	5~90%, non-condensing
Shock	10G acceleration (11ms duration)
Vibration	5~500Hz 1G RMS random vibration

Supporting layouts



n keyboard integrated with touchpad

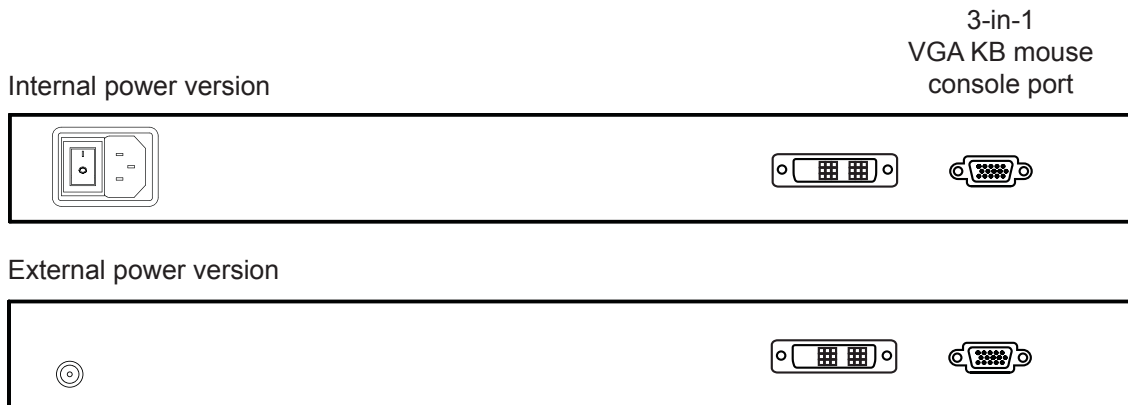


b keyboard integrated with trackball

Our KVM is designed to seamlessly integrate into the rear of our full range of LCD drawer solutions:

- For KVM operation, please refer to "Integrated LCD KVM Switch" user manual
- Option with high density Cat5 KVM with either 16 or 32 ports
- Option with cost efficient DB-15 KVM integration with either 8 or 16 ports
- Please ask your supplier for full KVM details

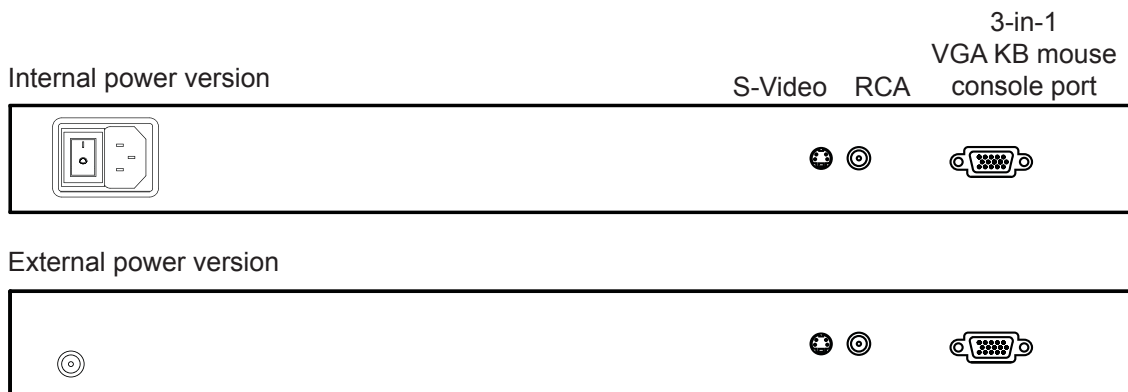
4.2 DVI-D Option



Remarks :

- Package includes a 6' DVI-D cable
- The depth of LCD1U17-17 / LCD1U19-09 will be extended from 480mm (18.9") to 520mm (20.5")

4.3 S-Video + RCA Input Option



Remarks :

- Package includes an extra 6ft S-Video and 6ft RCA cables

4.4 S-Video + BNC Input Option

Chapter 4



External power version



Remarks :

- Package includes an extra 6ft S-Video cable

4.5 On-screen Menu for DVI, BNC, S-Video & RCA Input Chapter 4

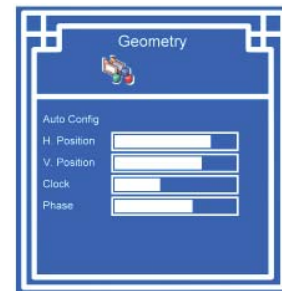
1. Image

- Brightness: Adjust background black level of the screen image
- Contrast: Adjust the difference between the image background (black level) and the foreground (white level)
- Sharpness: Adjust the image from weak to sharp
- Saturation: Adjust the saturation of the image color
- Hue: Adjust the screen hue value



2. Geometry

- Auto Config: Adjust automatically sizes, centers, and fine tunes the video signal to eliminate waviness and distortion. An "Adjusting" message is displayed during the process.
- H. Position: Align the screen image left or right
- V. Position: Align the screen image up or down
- Clock : Adjust the clock value
- Phase: Adjust the phase value



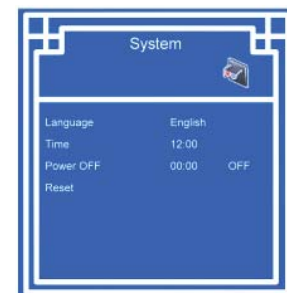
3. Function

- OSD Position: Adjust OSD menu horizontal and vertical position
- OSD Zoom: Adjust the difference between the image background (black level) and the foreground (white level).
- Color Temp: Select the screen color - 5500K, 6500K & 9500K. The factory default is 6500K.



4. System

- Language: Select the language in which the OSD menu is displayed - English, Chinese (中文), Japanese (日本語), German, French, Spanish, Italian.
- Time: Function is not supported
- Power OFF: Function is not supported
- Reset: Recall returns the adjustments back to factory settings.



Note : The current resolution and refresh rate information show on the top right hand side of the screen when the LCD is powered on.

4.5 On-screen Menu for DVI, BNC, S-Video & RCA Input Chapter 4

Main menu	Sub menu	Display mode			
		VGA	DVI	S-Video	RCA
Image	Brightness	√	√	√	√
	Contrast	√	√	√	√
	Sharpness	√	√	√	√
	Saturation	X	X	√	√
	Hue	X	X	√	√
Geometry	Auto Config	√	N/A	N/A	N/A
	H. Position	√	N/A	N/A	N/A
	V. Position	√	N/A	N/A	N/A
	Clock	√	N/A	N/A	N/A
	Phase	√	N/A	N/A	N/A
Function	OSD Position	√	√	√	√
	OSD Zoom	√	√	√	√
	Color Temp	√	√	√	√
System	Language	√	√	√	√
	Time	√	√	√	√
	Power OFF	√	√	√	√
	Reset	√	√	√	√

Sign

Represent

√

Available and adjustable

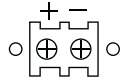
X

Available but not adjustable

N/A

Not available and adjustable

4.6 DC Power Options



Chapter 4

Model	12V	24V	48V
Input rating			
Input voltage:	12-Volt	24-Volt	48-Volt
Input range:	9 ~ 18V	18 ~ 36V	36 ~ 75V
Input current			
- No load	50 mA	50 mA	50 mA
- Full load	4950 mA	2450 mA	1220 mA
Output rating			
Output voltage:	12-Volt	12-Volt	12-Volt
Output current:	4.16A	4.16A	4.16A
Efficiency	84%	85%	85%

Remarks :

- Package does not include power cord and AC power adapter

1. How do I adjust the resolution?

To change monitor resolution, click Start -> Control Panel -> Display. Select Setting tab to adjust the monitor resolution in Desktop Area. The available resolutions, "640 x 480", "800 x 600", "1024 x 768", "1152 x 864", "1280 x 1024", are determined by the display card in your computer.


2. Is interference signal appeared on LCD normal when shutting down the computer ?

In rare cases, interference may appear on the monitor. This may be caused by signal rate of VGA card and is considered normal. The image quality can be improved by adjusting the phase or pixel rate automatically or manually.

3. The membrane button power light is not ON

Press the power On / Off on LCD membrane button to check if the monitor is in the ON mode.
Check the power cord is properly connected to the LCD keyboard drawer and power outlet.

4. Screen image is not centered or sized properly

Press the  button for two seconds to automatically adjust the image.
Adjust the H-position and V-position settings via On-screen menu.

5. Is the LCD keyboard drawer hot-pluggable ?

The LCD keyboard drawer is hot-pluggable, but components of connected devices, such as the servers and KVMs, may not be hot-pluggable. We suggest turning off the power to all devices before connecting them. Apply power to connected devices again only after the LCD keyboard receives power.

Model	Product Dimension (W x D x H)	Packing Dimension (W x D x H)	Net Weight	Gross Weight
LCD1U17-15 series	442 x 650 x 44 mm 17.4 x 25.6 x 1.73"	589 x 856 x 168 mm 23.2 x 33.7 x 6.6"	16 kg 35 lb	22 kg 48 lb
LCD1U19-07 series	442 x 650 x 44 mm 17.4 x 25.6 x 1.73"	589 x 856 x 168 mm 23.2 x 33.7 x 6.6"	17 kg 37 lb	23 kg 51 lb
LCD1U17-17 series	442 x 480 x 44 mm 17.4 x 18.9 x 1.73"	581 x 705 x 175 mm 22.9 x 27.8 x 6.9"	15 kg 33 lb	19 kg 42 lb
LCD1U19-09 series	442 x 480 x 44 mm 17.4 x 18.9 x 1.73"	581 x 705 x 175 mm 22.9 x 27.8 x 6.9"	16 kg 35 lb	20 kg 44 lb

The company reserves the right to modify product specifications without prior notice and assumes no responsibility for any error which may appear in this publication.

All brand names, logo and registered trademarks are properties of their respective owners.

Copyright 2008 Synergy Global Technology Inc. All rights reserved.