



Toll Free: 1-888-865-6888

Tel: 510-226-8368 Fax: 510-226-8968

Email: sales@RackmountMart.com

User Manual 13" FHD 1920 x 1080 LED-backlit LCD



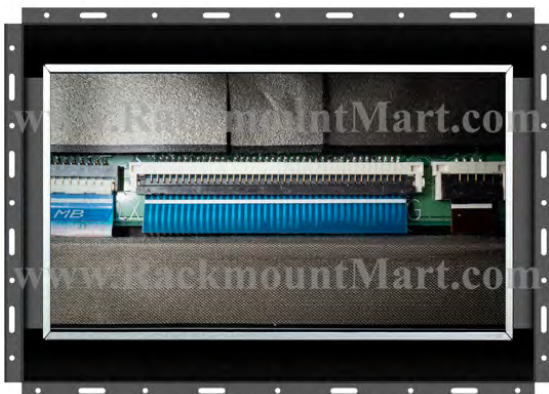
ID-E13Aw

Aluminum front bezel



ID-E13Dw

Aluminum Front Panel



ID-E13Pw

Universal Open Frame

ID-E13AwN

Front NEMA4 / IP65



Legal Information

First English printing, January 2024

Information in this document has been carefully checked for accuracy; however, no guarantee is given to the correctness of the contents. The information in this document is subject to change without notice. We are not liable for any injury or loss that results from the use of this equipment.

Safety Instructions

Please read all of these instructions carefully before you use the device. Save this manual for future reference.

- Unplug equipment before cleaning. Don't use liquid or spray detergent; use a moist cloth.
- Keep equipment away from excessive humidity and heat. Preferably, keep it in an air-conditioned environment with temperatures not exceeding 40° Celsius (104° Fahrenheit).
- When installing, place the equipment on a sturdy, level surface to prevent it from accidentally falling and causing damage to other equipment or injury to persons nearby.
- When the equipment is in an open position, do not cover, block or in any way obstruct the gap between it and the power supply. Proper air convection is necessary to keep it from overheating.
- Arrange the equipment's power cord in such a way that others won't trip or fall over it.
- If you are using a power cord that didn't ship with the equipment, ensure that it is rated for the voltage and current labeled on the equipment's electrical ratings label. The voltage rating on the cord should be higher than the one listed on the equipment's ratings label.
- Observe all precautions and warnings attached to the equipment.
- If you don't intend on using the equipment for a long time, disconnect it from the power outlet to prevent being damaged by transient over-voltage.
- Keep all liquids away from the equipment to minimize the risk of accidental spillage. Liquid spilled on to the power supply or on other hardware may cause damage, fire or electrical shock.
- Only qualified service personnel should open the chassis. Opening it yourself could damage the equipment and invalidate its warranty.
- If any part of the equipment becomes damaged or stops functioning, have it checked by qualified service personnel.

What the warranty does not cover

- Any product, on which the serial number has been defaced, modified or removed.
- Damage, deterioration or malfunction resulting from:
 - Accident, misuse, neglect, fire, water, lightning, or other acts of nature, unauthorized product modification, or failure to follow instructions supplied with the product.
 - Repair or attempted repair by anyone not authorized by us.
 - Any damage of the product due to shipment.
 - Removal or installation of the product.
 - Causes external to the product, such as electric power fluctuation or failure.
 - Use of supplies or parts not meeting our specifications.
 - Normal wear and tear.
 - Any other causes which does not relate to a product defect.
- Removal, installation, and set-up service charges.

Regulatory Notices Federal Communications Commission (FCC)

This equipment has been tested and found to comply with the limits for a Class B digital device, pursuant to Part 15 of the FCC rules. These limits are designed to provide reasonable protection against harmful interference in a residential installation.

Any changes or modifications made to this equipment may void the user's authority to operate this equipment. This equipment generates, uses, and can radiate radio frequency energy and, if not installed and used in accordance with the instructions, may cause harmful interference to radio communications.

However, there is no guarantee that interference will not occur in a particular installation. If this equipment does cause harmful interference to radio or television reception, which can be determined by turning the equipment off and on, the user is encouraged to try to correct the interference by one or more of the following measures:

- Re-position or relocate the receiving antenna.
- Increase the separation between the equipment and receiver.
- Connect the equipment into an outlet on a circuit different from that to which the receiver is connected.

Contents

< Part. 1 > ID-E13Aw / ID-E13AwN

1.1	Package Content	P.1
1.2	Structure Diagram & Dimension	P.2
1.3	Mounting Hardware & Installation	P.4

< Part. 2 > ID-E13Dw

2.1	Package Content	P.5
2.2	Structure Diagram & Dimension	P.6
2.3	Mounting Hardware & Installation	P.8

< Part. 3 > ID-E13Pw

3.1	Package Content	P.9
3.2	Structure Diagram & Dimension	P.10
3.3	Mounting Hardware & Installation	P.12

< Part. 4 > Specifications / OSD / Remote Controller

4.1	Product Specifications	P.13
4.2	On-screen Display Operation (OSD)	P.15

< Part. 5 > Options

5.1	Option Table	P.17
5.2	3G / HD / SD- SDI Broadcast-grade input	P.18
5.3	MC Multi-display control solution	P.19
5.4	Speaker, Display port, DVI-D, BNC	P.20
5.5	Remote Controller	P.22
5.6	Touchscreen & driver	P.23
5.7	DC Power : 12V / 24V / 48V / 125V	P.24
5.8	MIL-type or lockable connector	P.25

Before Installation

- It is very important to mount the equipment in a suitable cabinet or on a stable surface.
- Make sure the place has a good ventilation, is out of direct sunlight, away from sources of excessive dust, dirt, heat, water, moisture and vibration.

Unpacking

The equipment comes with the standard parts shown in package content. Check and make sure they are included and in good condition. If anything is missing, or damaged, contact the supplier immediately.

How To Clean Your LCD Monitor



Caution :

- To avoid the risk of electric shock, make sure your hands are dry before unplugging your monitor from or plugging your monitor into an electrical outlet.
- When you clean your monitor, do not press down on the LCD screen. Pressing down on the screen can scratch or damage your display. Pressure damage is not covered under warranty.
- Use only cleansers made specifically for cleaning monitors and monitor screens. Cleansers not made to clean monitors and monitor screens can scratch the LCD display or strip off the finish.
- Do not spray any kind of liquid directly onto the screen or case of your monitor. Spraying liquids directly onto the screen or case can cause damage which is not covered under warranty.
- Do not use paper towels or abrasive pads to clean your monitor. Using an abrasive pad or any wood based paper product such as paper towels can scratch your LCD screen.

Cleaning Your Monitor

To clean your LCD safely, please follow these steps :

- ① Disconnect the power cord.
- ② Gently wipe the surface using a clean, dry microfiber cloth. Use as little pressure as possible.

Cleaning Tough Marks and Smudges

To remove tough marks and smudges, please follow these steps :

- ① Disconnect the power cord.
- ② Spray a small amount of non-abrasive cleanser on a microfiber cloth.



Caution : Do not spray or apply any liquids directly onto the monitor. Always apply the solution to your microfiber cloth first, not directly on the parts you are cleaning.

- ③ Gently wipe the surface. Use as little pressure as possible.
- ④ Wait until your monitor is completely dry before plugging it in and powering it up.

ID-E13Aw / ID-E13AwN



13" FHD LCD Display X 1

6ft VGA cable X 1

Power adapter X 1

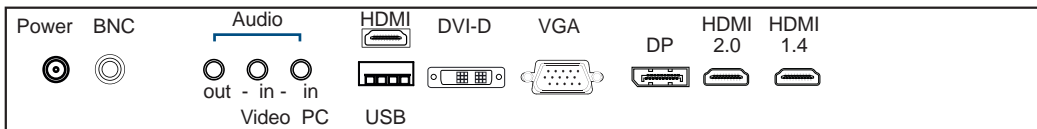
Power cord X 1

Mounting hardware X 1 pack

- Mounting bracket x 2 pcs

- M4* 6mm screw x 4 pcs

- M4* 50mm screw x 4 pcs



Options :

Basic I/O : HDMI + VGA

Speaker : HDMI + VGA + Speaker

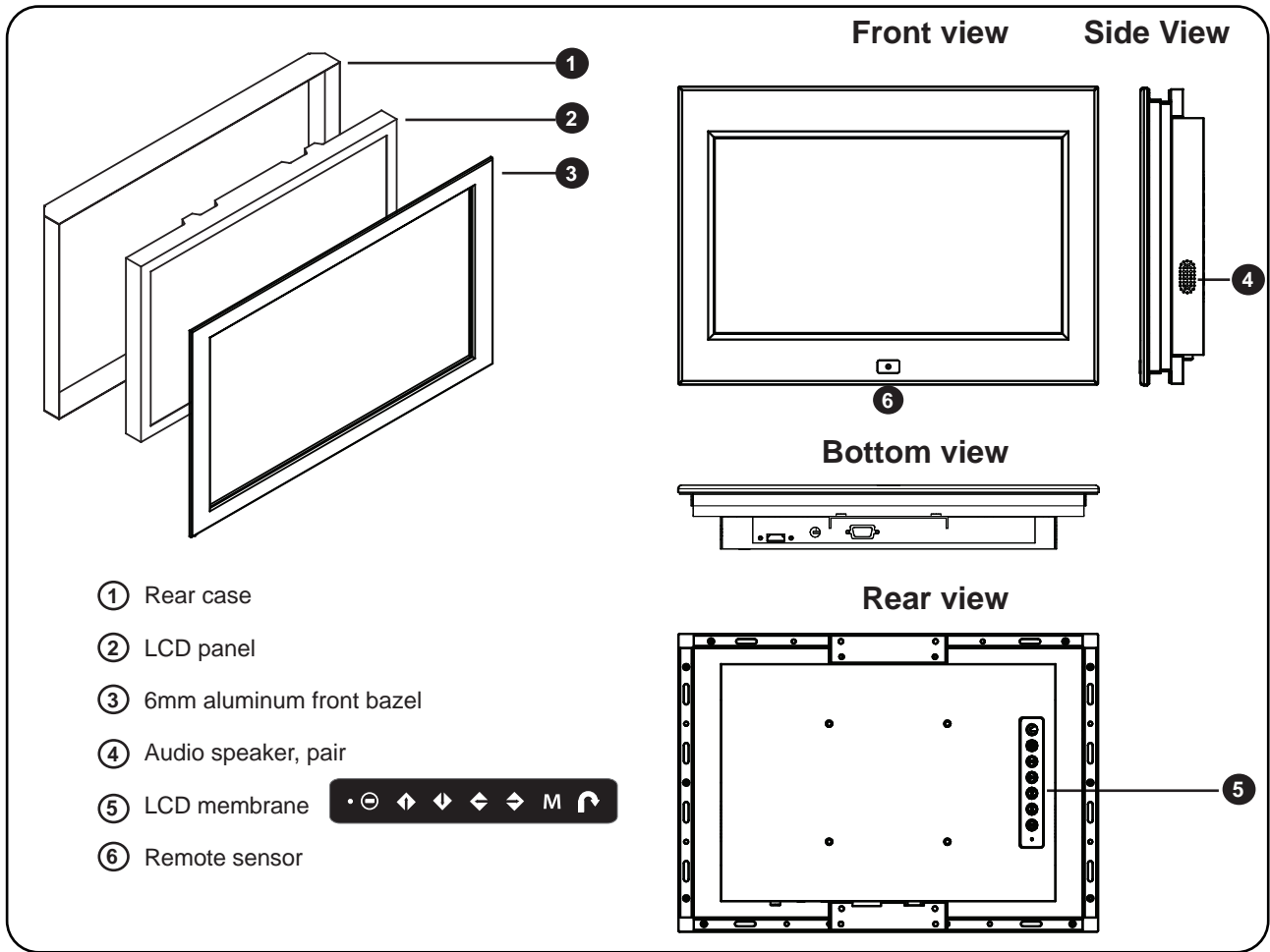
BNC : HDMI + VGA + BNC + Audio input + Speaker

DVI-D : HDMI + VGA + DVI-D + Audio input & output + Speaker

DP : DP-1.0 + HDMI-2.0 + HDMI-1.4 + VGA + Audio input & output + Speaker

Options : SDI, MC, USB for touchscreen & DC power

< 1.2 > Structure Diagram

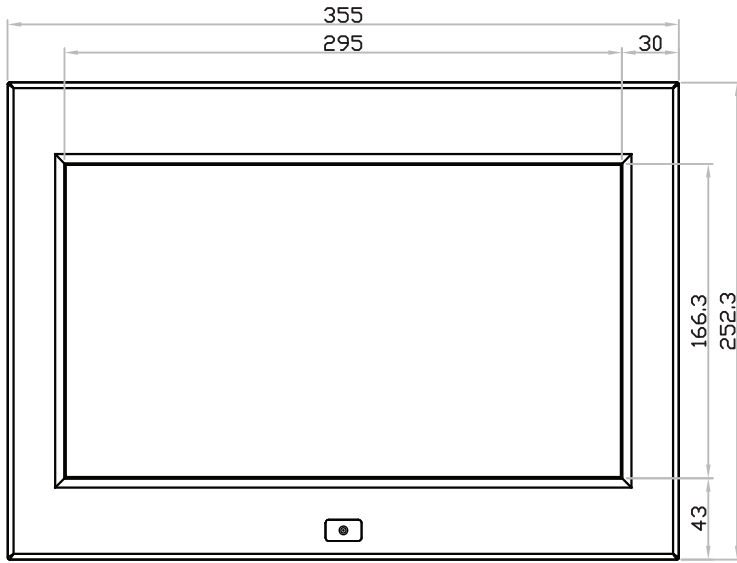


Model	Product Dimension (W x D x H)	Net Weight
ID-E13Aw	355 x 54.9 x 252.3 mm	- kg
ID-E13AwN	14 x 2.2 x 9.9 inch	- lb

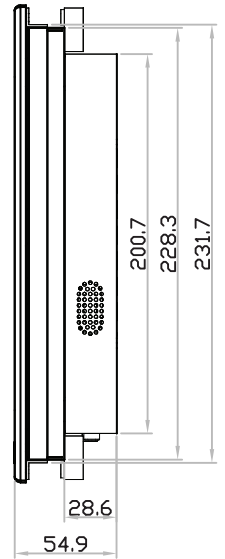
< 1.2 > Dimension

13" FHD Display

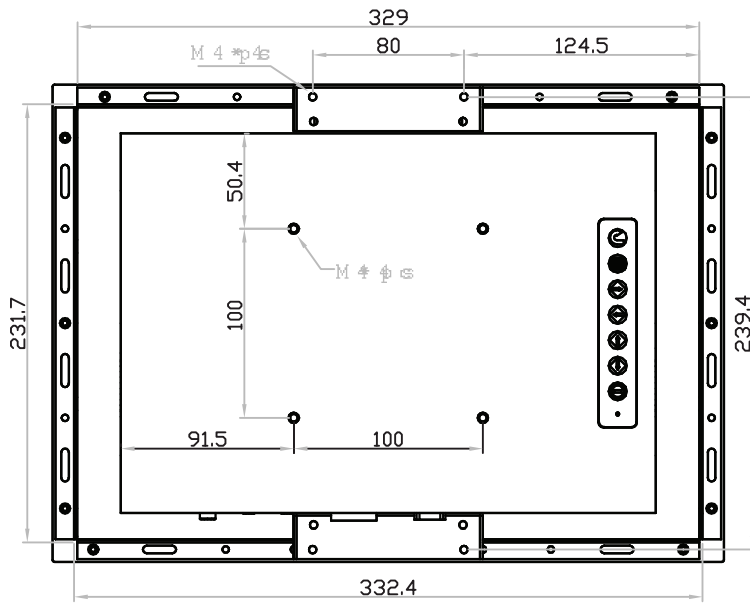
Front View



Side View

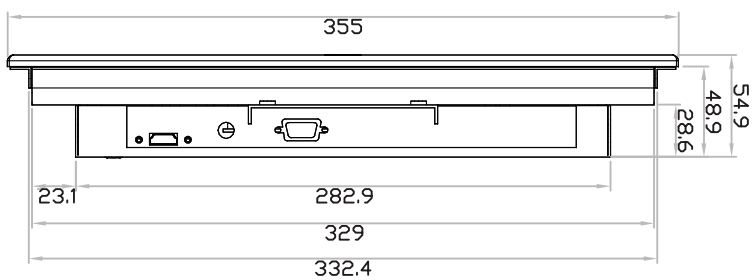


Rear View



UNIT : mm
1mm = 0.03937 inch

Bottom View



< 1.3 > Installation (I) Panel mount

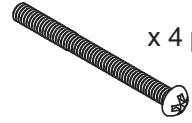
- 1 Mounting bracket
x 2 pcs



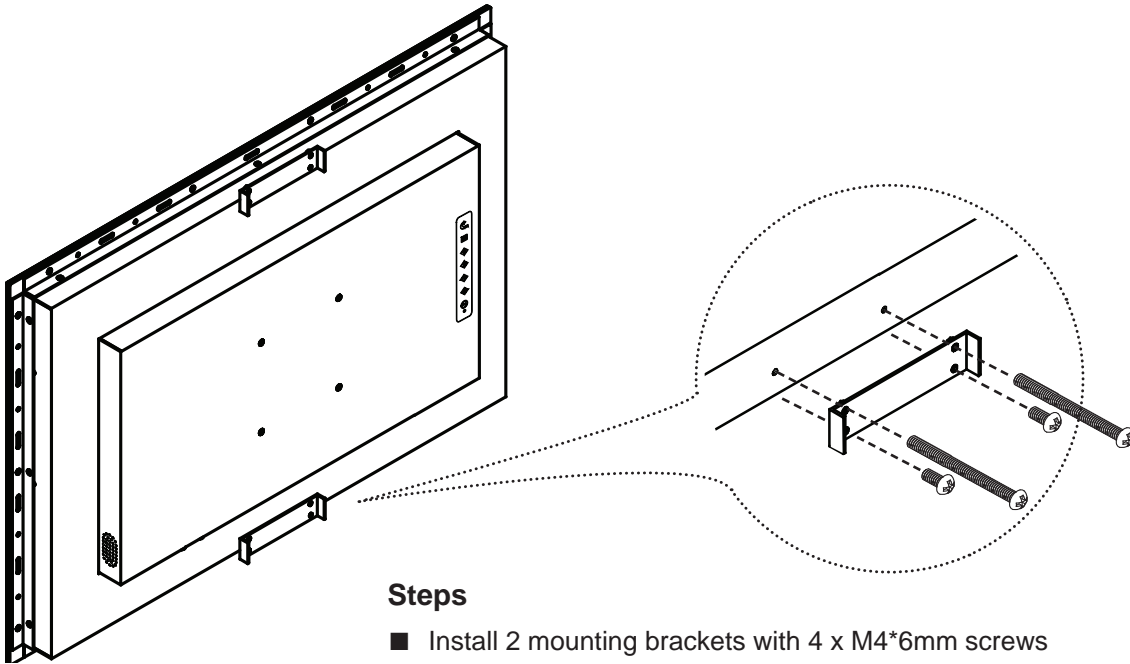
- 2 M4*6mm screw
x 4 pcs



- 3 M4*50mm screw
x 4 pcs



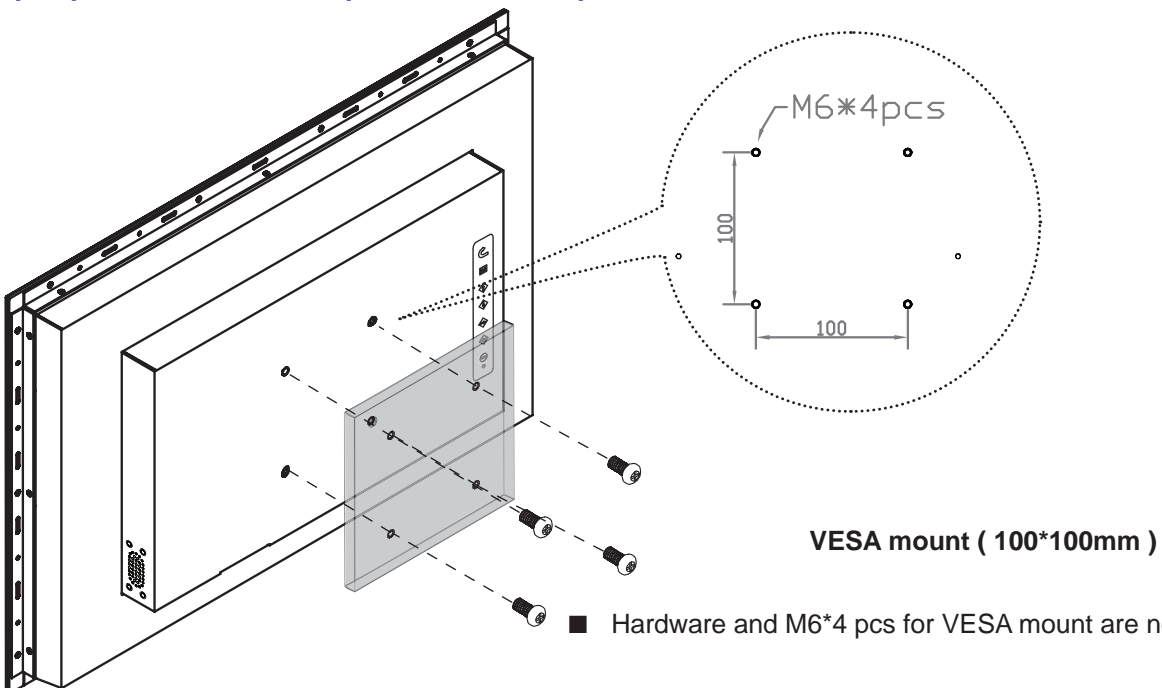
Hardware set part no. PT-BK-IDA



Steps

- Install 2 mounting brackets with 4 x M4*6mm screws
- Adjust the LCD panel with 4 x M4*50mm screws and fix it on the surface.

(II) VESA mount (100*100mm)



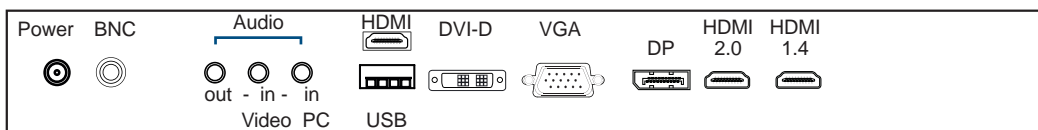
VESA mount (100*100mm)

- Hardware and M6*4 pcs for VESA mount are not provided

ID-E13Dw



- 13" FHD LCD Display X 1
- 6ft VGA cable X 1
- Power adapter x 1
- Power cord X 1



Options :

Basic I/O : HDMI + VGA

Speaker : HDMI + VGA + Speaker

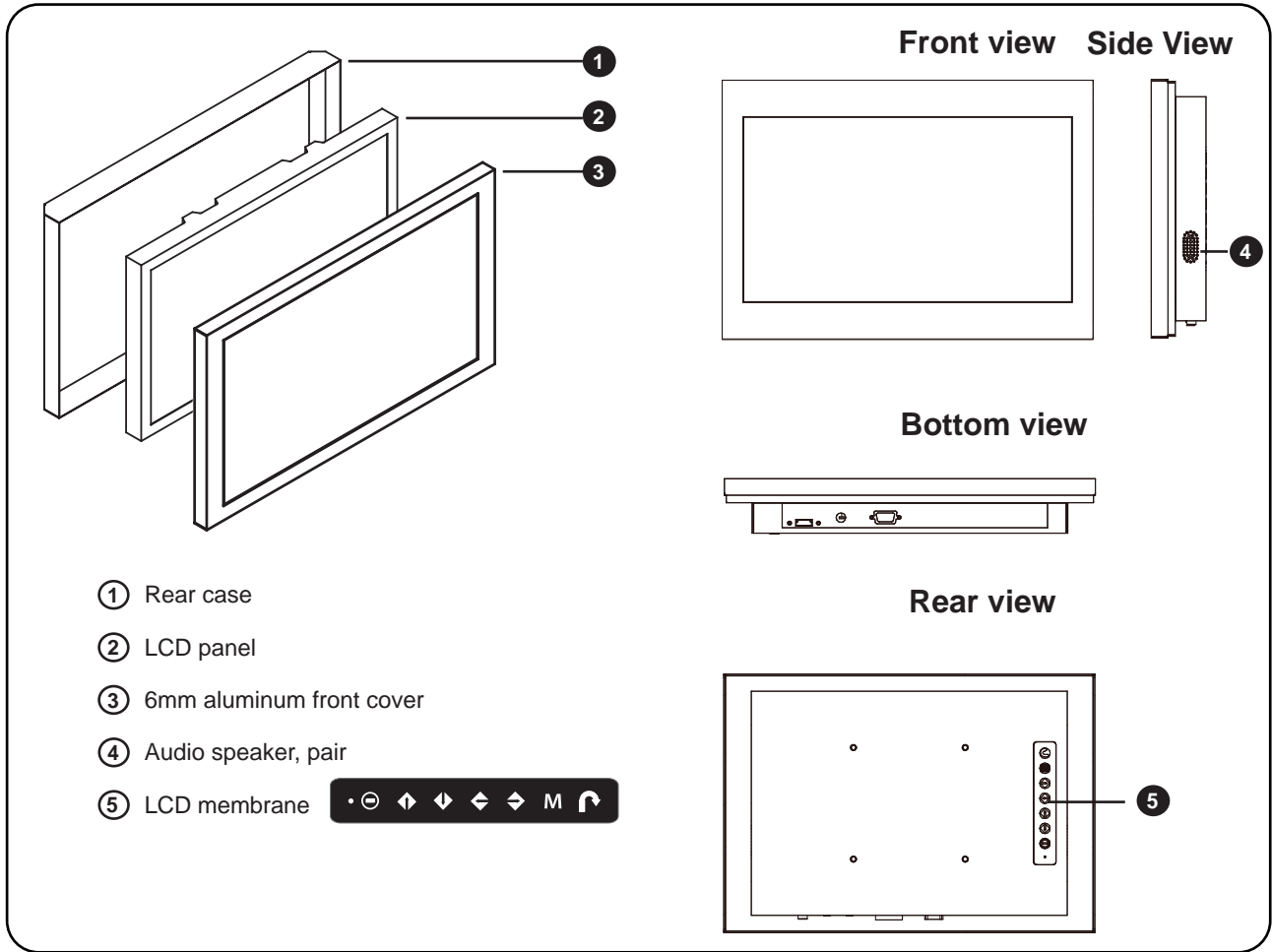
BNC : HDMI + VGA + BNC + Audio input + Speaker

DVI-D : HDMI + VGA + DVI-D + Audio input & output + Speaker

DP : DP-1.0 + HDMI-2.0 + HDMI-1.4 + VGA + Audio input & output + Speaker

Options : SDI, MC, USB for touchscreen & DC power

< 2.2 > Structure Diagram

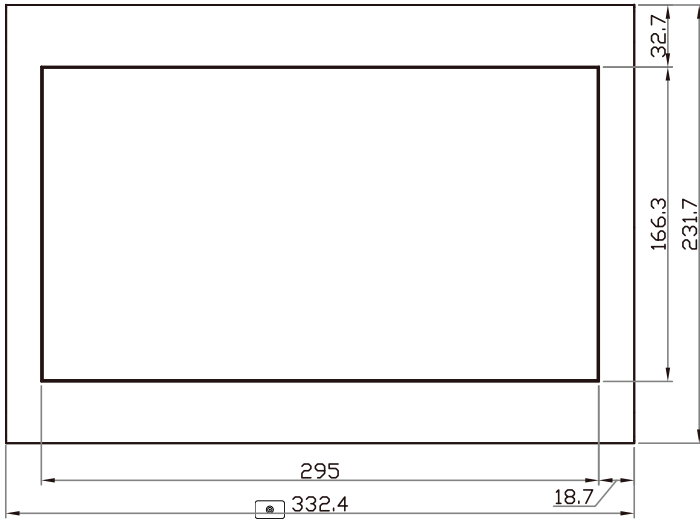


Model	Product Dimension (W x D x H)	Net Weight
ID-E13Dw	332.4 x 50.2 x 231.7 mm 13.1 x 2 x 9.1 inch	- kg - lb

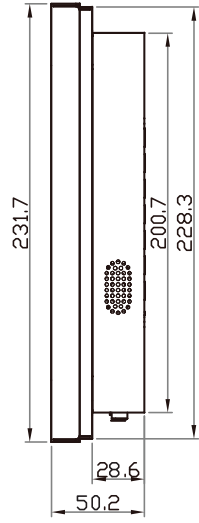
< 2.2 > Dimension

13" FHD Display

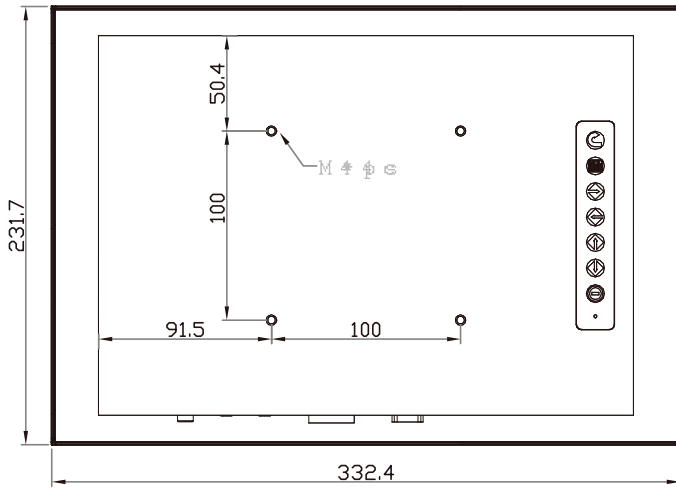
Front View



Side View

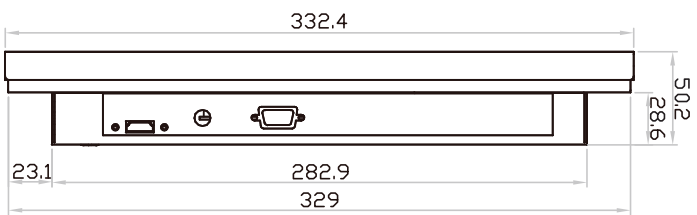


Rear View

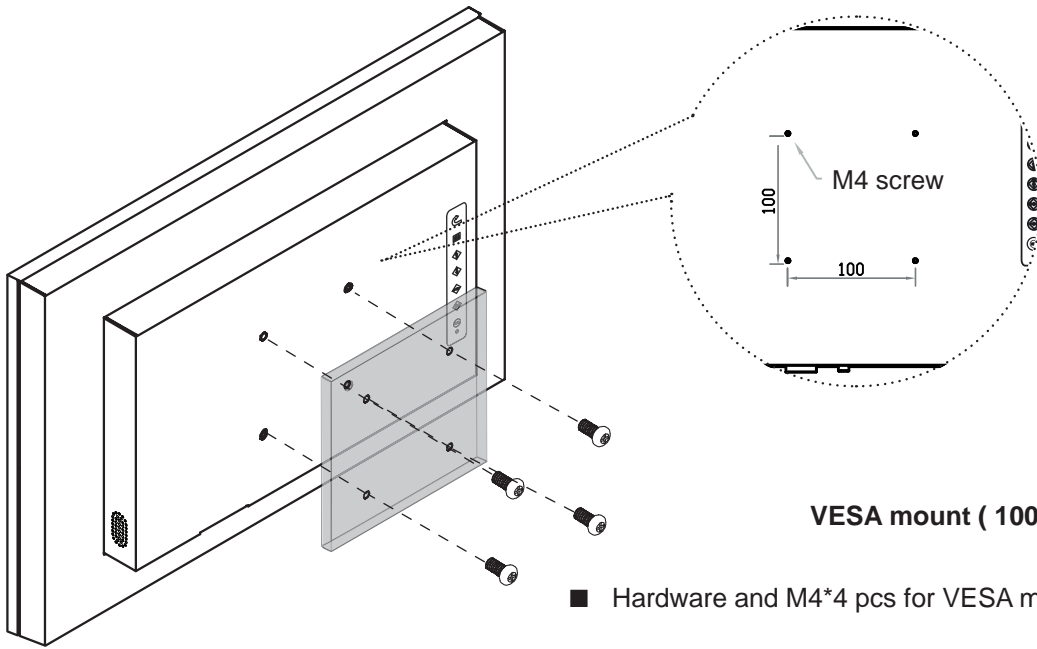


UNIT : mm
1mm = 0.03937 inch

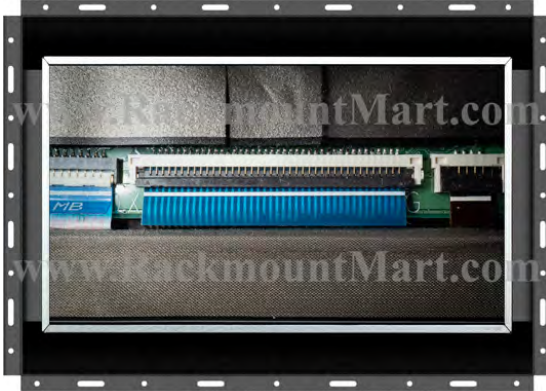
Bottom View



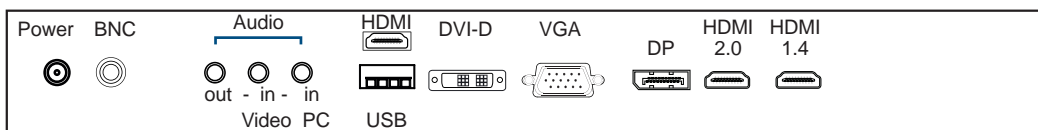
< 2.3 > VESA Installation



ID-E13Pw



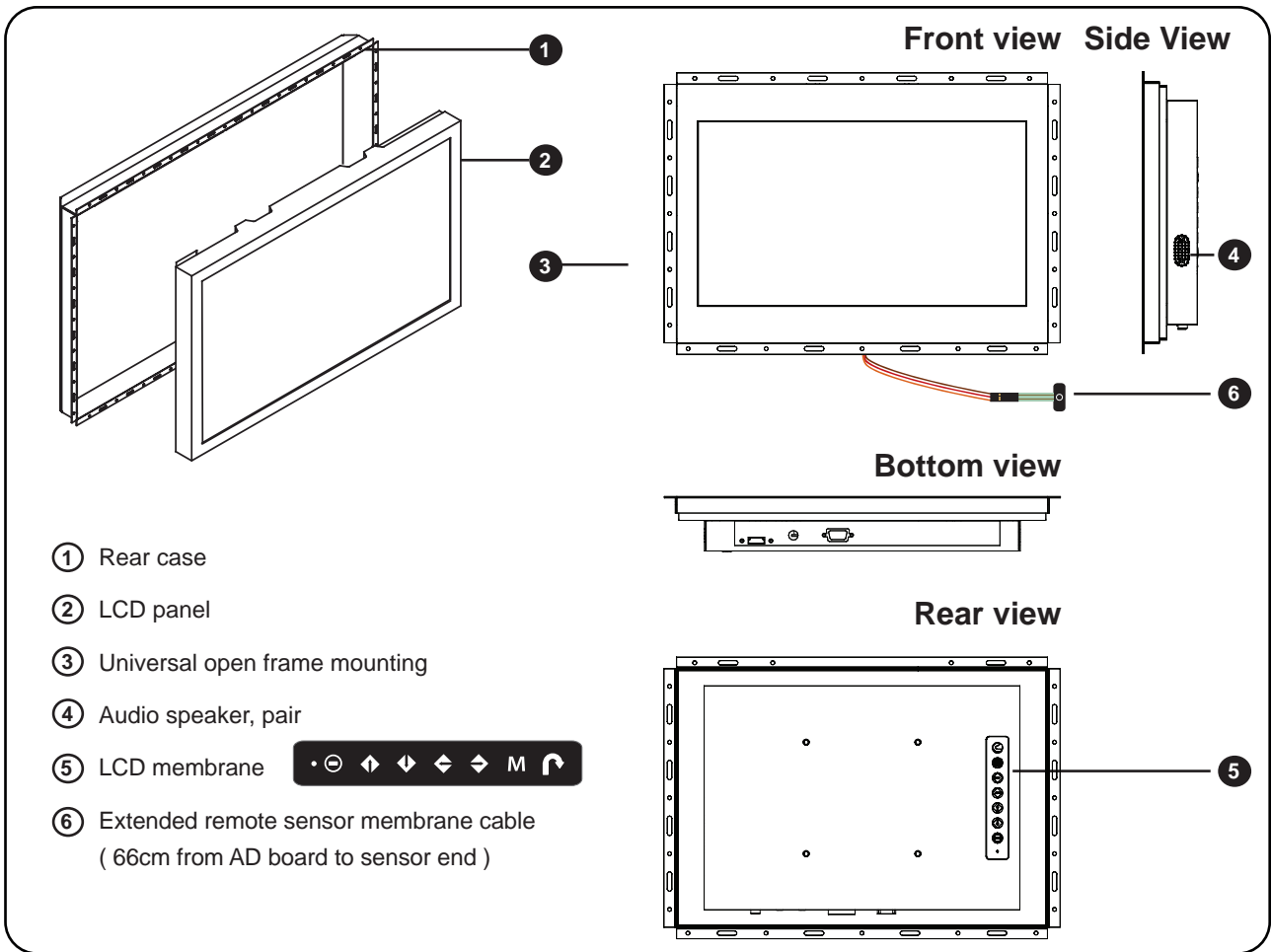
- 13" FHD LCD Display X 1
- 6ft VGA cable X 1
- Power adapter X 1
- Power cord X 1



Options :

- Basic I/O** : HDMI + VGA
- Speaker** : HDMI + VGA + Speaker
- BNC** : HDMI + VGA + BNC + Audio input + Speaker
- DVI-D** : HDMI + VGA + DVI-D + Audio input & output + Speaker
- DP** : DP-1.0 + HDMI-2.0 + HDMI-1.4 + VGA + Audio input & output + Speaker
- Options** : SDI, MC, USB for touchscreen & DC power

< 3.2 > Structure Diagram

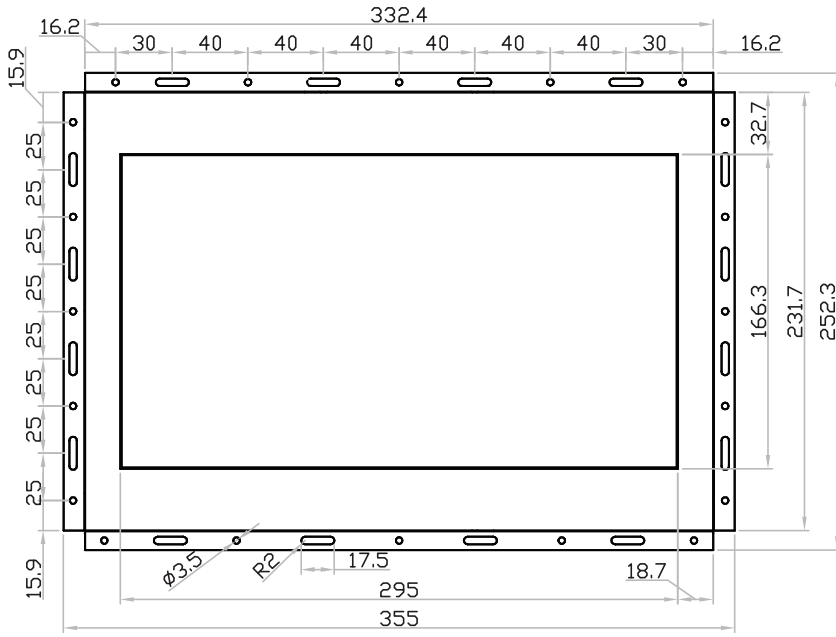


Model	Product Dimension (W x D x H)	Net Weight
ID-E13Pw	355 x 50.2 x 252.3 mm 13.9 x 2 x 9.9 inch	- kg - lb

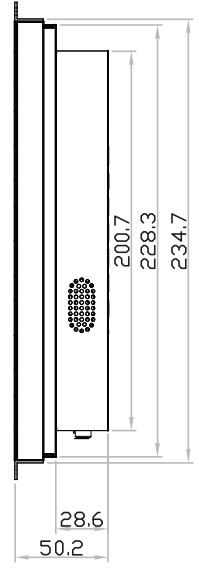
< 3.2 > Dimension

13" FHD Display

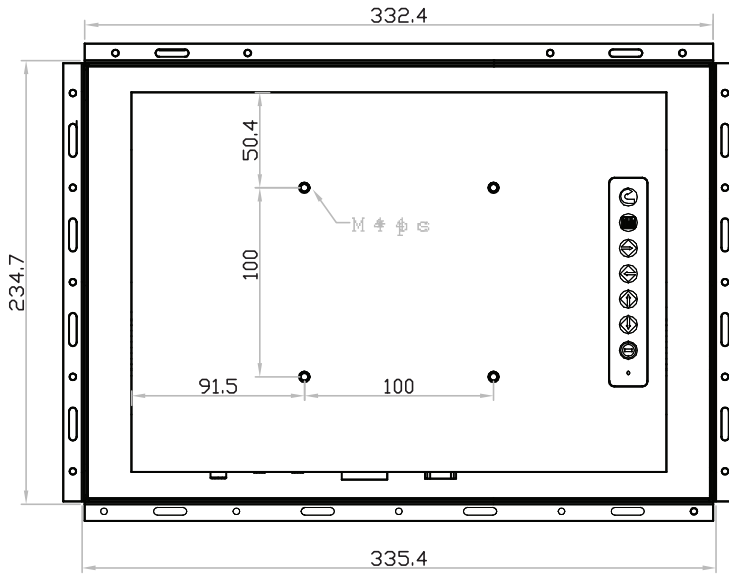
Front View



Side View

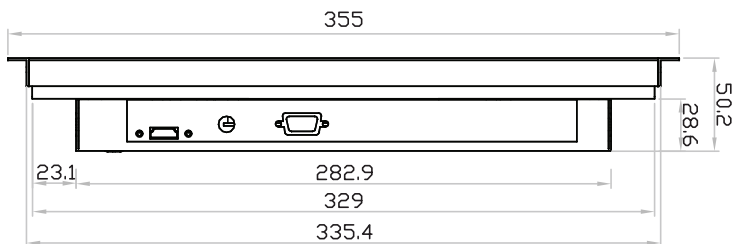


Rear View



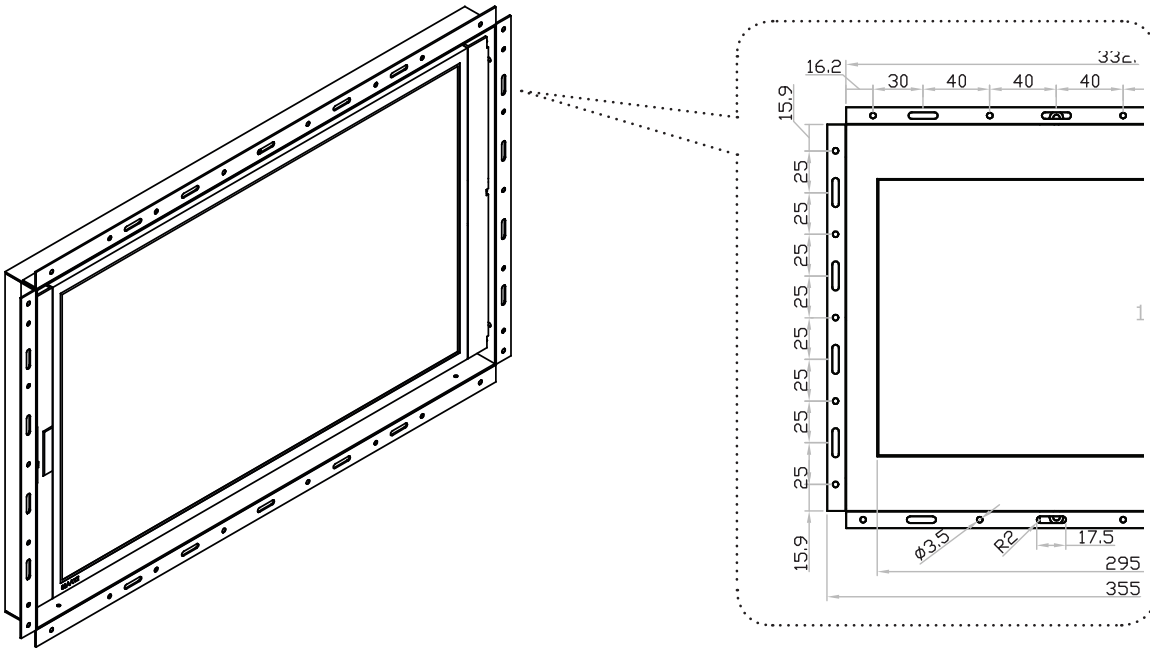
UNIT : mm
1mm = 0.03937 inch

Bottom View

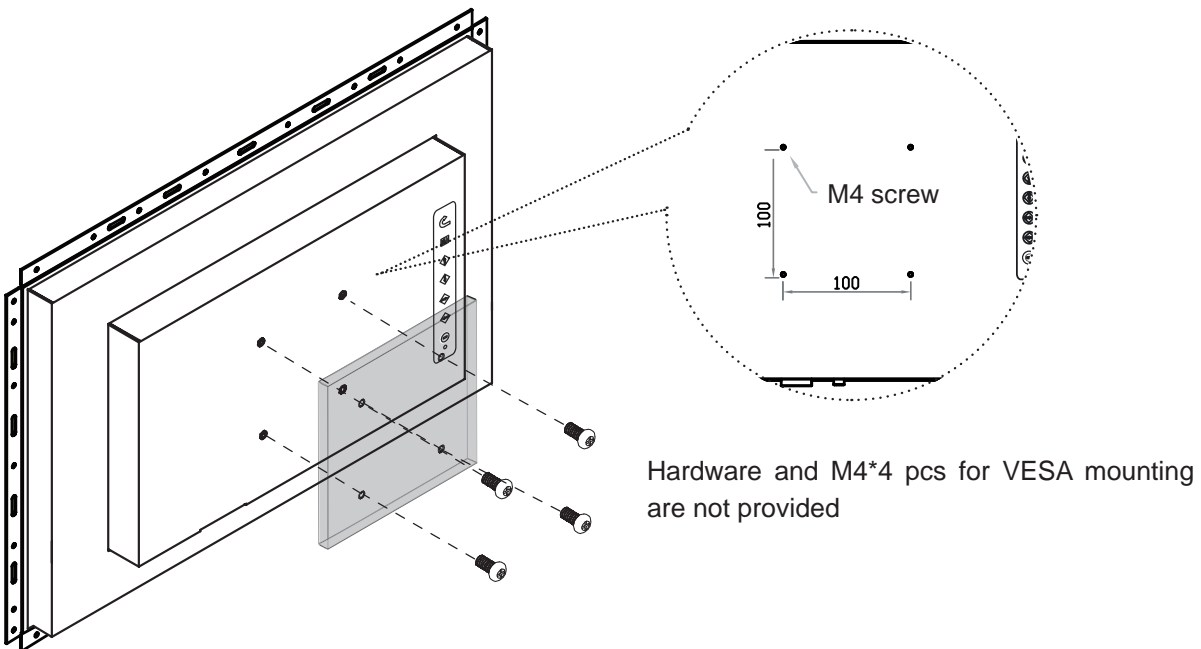


< 3.3 > Installation

(I) Universal mount



(II) VESA mount (100*100mm)



< Part 4 >

< 4.1 > Product Specifications

13" FHD Display

Mechanical Design	ID-E13Aw	ID-E13AwN	ID-E13Dw	ID-E13Pw
Protection	6mm front bezel	NEMA 4 / IP65	front cover	open frame
Front Panel	Black, RAL 9005			-
Rear Casing	Black, RAL 9005			
VESA mount	100 x 100 mm			
Universal mount	-	-	-	ready
Overhead titled wall-mount	option		option	-
Desktop stand	option		option	-

LED-backlit LCD Panel	
Panel Size (diagonal)	13.3-inch Widescreen TFT color LCD
Native resolution	1920 x 1080
Brightness (cd/m ²)	300
Contrast Ratio (typ.)	800 : 1
Colors	16.7M, 8-bit
Viewing Angle (L/R/U/D)	85/85/85/85
Response Time (ms)	25
Dot pitch (mm)	0.1529
Display Area (mm)	293.76H x 165.24V
Surface treatment	Anti-glare
Surface hardness	3H
Backlight Type	LED
MTBF (hrs)	15,000

Video	
VGA	Analog 0.7Vp-p
DVI	DVI-D single link
HDMI	HDMI 2.0 / HDCP 2.2
	HDMI 1.4 / HDCP 1.4
Display port	DP 1.0 / HDCP 1.3
Composite (BNC)	NTSC & PAL

Audio Option	
Input	
Connector	3.5mm stereo jack
Impedance / Power level	30kΩ / 750mV
Output	
Connector	3.5mm stereo jack
Resistance / Power level	30kΩ / 2.8V
Speaker:	
Dual Stereo	2W x 2

*When the audio output is connected, speaker output is OFF

Power	
Input	Auto-sensing 100 to 240VAC, 50 / 60Hz
Consumption:	
Screen ON	Max. 9W
Power saving mode	Max. 2W
Power button OFF	Max. 1W

Compliance	
EMC	FCC & CE
Safety	CE / LVD & UKCA
Environment	RoHS3 & REACH / WEEE

< 4.1 > Product Specifications

Environmental Conditions		
Operating	Temperature	0 to 55°C degree
	Humidity	10~90%, non-condensing
	Altitude	16,000 ft
Storage / Non-operating	Temperature	-20 to 60°C degree
	Humidity	5~90%, non-condensing
	Altitude	40,000 ft
	Shock	10G acceleration (11ms duration)
	Vibration	10~300Hz 0.5G RMS random vibration

Physical Specification	ID-E13Aw	ID-E13AwN	ID-E13Dw	ID-E13Pw
Product (W x D x H)				
mm	355 x 54.9 x 252.3		332.4 x 50.2 x 231.7	355 x 20.2 x 252.3
inch	14 x 2.2 x 9.9		13.1 x 2 x 9.1	13.9 x 2 x 9.9
Net Weight	- kg / - lb	- kg / - lb	- kg / - lb	- kg / - lb
Chassis color	Dark			
Chassis materials	Aluminum			

* All dimensions stated are subject to change if options are selected / integrated to base model part codes

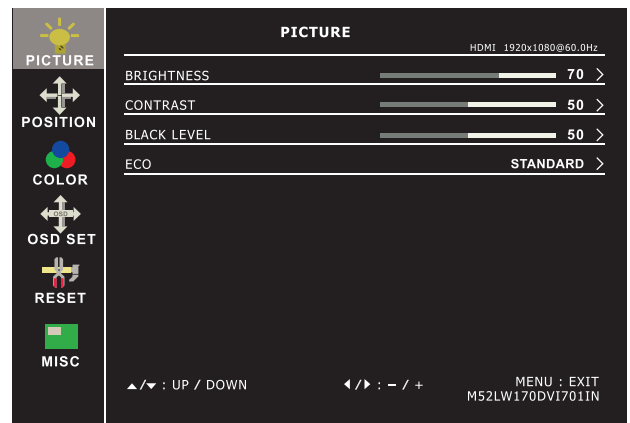
Applicable Format		
DVI-D / VGA Input	PC Signal	1920 x 1080 x 60Hz
		1680 x 1050 x 60Hz
		1440 x 900 x 60Hz
		1360 x 768 x 60Hz
		1280 x 1024 x 60Hz
		1280 x 768 x 60Hz
		1280 x 720 x 60Hz
		1152 x 864 x 60Hz
		1024 x 768 x 60Hz
		800 x 600 x 60Hz
		640 x 480 x 60Hz
	Audio Signal	2ch Linear PCM
HDMI Input	PC Signal	Same as VGA
		HDMI 1.4
		1920 x 1080 x 50 / 60Hz (1080p)
		1920 x 1080 x 25 / 30Hz (1080i)
	1280 x 720 x 50 / 60Hz (720p)	
	720 x 480 x 50 / 60Hz (576p / 480p)	
	Audio Signal	2ch Linear PCM
Display port Input	PC Signal	1920 x 1080 x 60Hz
		1680 x 1050 x 60Hz
		1440 x 900 x 60Hz
		1360 x 768 x 60Hz
		1280 x 1024 x 60Hz
		1280 x 768 x 60Hz
		1280 x 720 x 60Hz
		1152 x 864 x 60Hz
		1024 x 768 x 60Hz
		800 x 600 x 60Hz
		640 x 480 x 60Hz
	Audio Signal	2ch Linear PCM

- Power light
- Green = On
- Orange = Power saving

Membrane Switch	Function
	Power on / off LCD
	Display the OSD menu
	Scrolls through menu options and adjusts the displayed control (To auto adjustment by pressing the button for 5 seconds)
	Exit the OSD screen Toggle analog, digital & video connection (DVI-D and video options only)

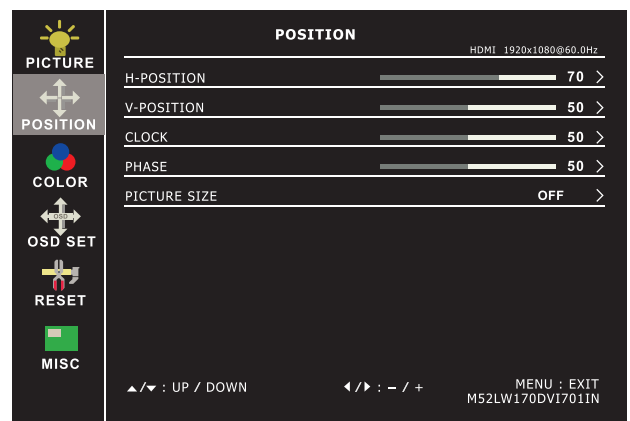
① **Picture**

- Brightness : Adjust the screen brightness
- Contrast : Adjust the difference between the image background (black level) and the foreground (white level)
- Black level : Adjust background black level of the screen
- Eco : Screen in power saving mode



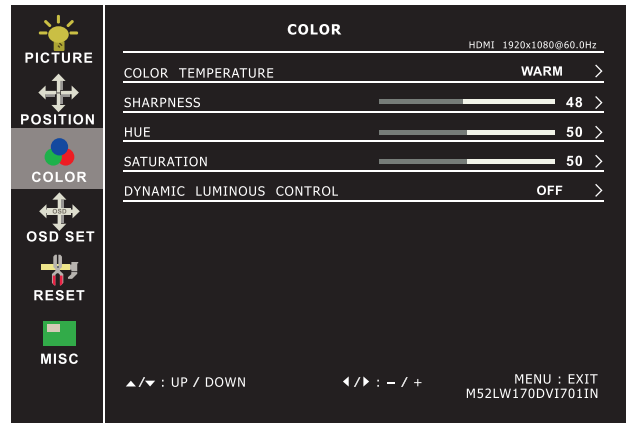
② **Position**

- H-Position : To adjust the horizontal position of the video
- V-Position : To adjust the vertical position of the video
- Clock : To auto adjust H. Size of the screen
- Phase : To fine tune the screen.
- Picture size : FULL SCREEN / 4:3 / 5:4 / 16:10



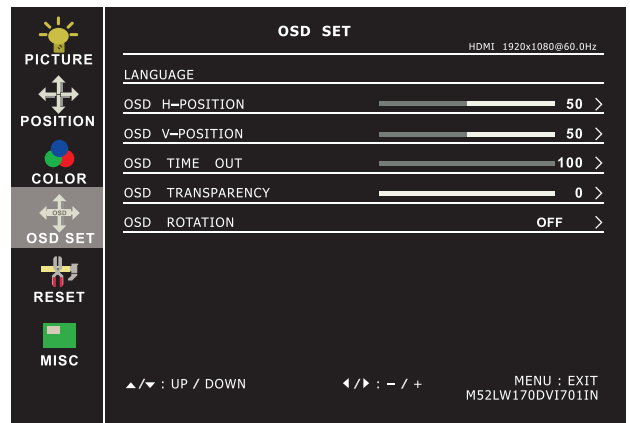
③ Color

- Color temperature: User / Warm / Cool / 5400k mode and Red / Green / Blue color balance
- Sharpness : Adjust the image from weak to sharp
- Hue : Adjust the screen hue value
- Saturation : Adjust the saturation of the image color
- Dynamic luminous control : Control the dynamic brightness



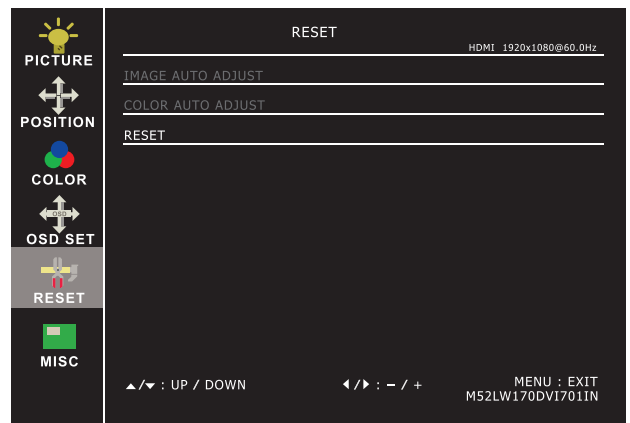
④ OSD Set

- Language : Select the language in which the OSD menu is displayed - English
- OSD H-Position : Align the screen image left or right
- OSD V-Position : Align the screen image up or down
- OSD time out : Adjust the screen timeout
- OSD transparency : Adjust the screen transparency
- OSD rotation : Rotate the screen - 90° / 180° / 270°



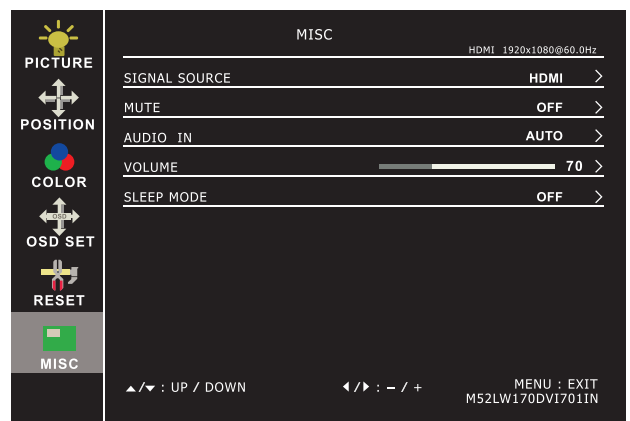
⑤ Reset

- Reset : Return the adjustment back to factory setting



⑥ MISC

- Signal source : Select the signal source - DP / HDMI1 / HDMI2
- Mute : Turn off the surrounding sound
- Audio in : Auto / Line in / DP
- Volume : Adjust the volume of sound
- Sleep mode : Set the off time - 10 min / 20 min / 30 min / 50 min / 60 min / 120 min / 240 min



Options	Aw / AwN	HAw / HAwN	Dw	HDw	Pw	HPw
SDI *	✓	✓	✓	✓	✓	✓
DVI-D **	✓	✓	✓	✓	✓	✓
Composite (BNC) ***	✓	✓	✓	✓	✓	✓
Audio	✓	✓	✓	✓	✓	✓
Touchscreen	✓	✓	✓	✓	✓	✓
MCS multi-display control ****	✓	✓	✓	✓	✓	✓
DC Power	✓	✓	✓	✓	✓	✓
MIL-type / lockable connector	✓	✓	✓	✓	✓	✓
Auto / switch dimming		✓		✓		✓



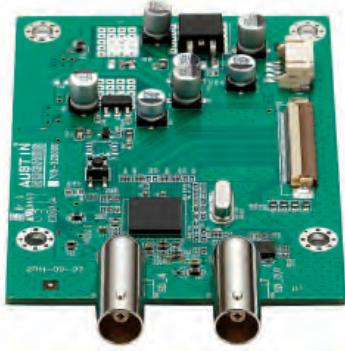
* SDI option comes speakers.

** For DVI-D option, in some circumstances, if the user connects the LCD to PC via HDMI port for video and audio signals, the LCD may display incorrectly on a full screen. If so, please adjust the display card setting on display size to fix the issue.

*** SDI, DVI-D & BNC options come with remote controller.

**** Dimension will be changed if SDI / MC required

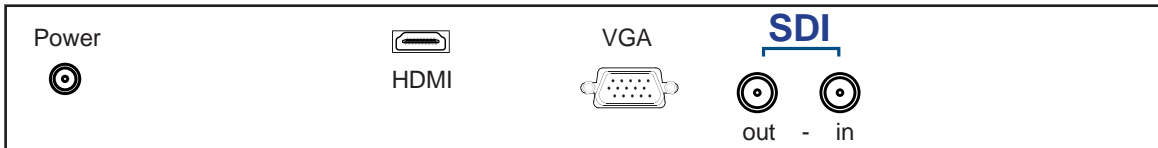
< 5.2 > Options : 3G / HD / SD-SDI input



Our SDI input is an ideal solution for the broadcast-grade video and high resolution CCTV market.

Designed for use with NOVA series displays, a SDI input module can support up to 1080p @60Hz resolution without using additional space or power and it comes standard with a 1-year warranty.

* SDI option comes with speakers & remote controller.



INPUT	3G-SDI IN	BNC x 1 / 0.8Vp-p (75 ohm)
	3G-SDI OUT	BNC x 1 / Active through, equalized & relocked

Standard Compliance	Video	SMPTE 425M / 274M / 296M / 125M ITU-R BT.656
	Audio	SMPTE 299M / 272M-C

Compatible Video Format	3G-SDI	1080p	@60 / 50Hz, 4:2:2
		1080p	@30 / 25 / 24Hz, 4:4:4
		1080i	@60 / 50Hz, 4:4:4
		720p	@60 / 50Hz, 4:4:4
	HD-SDI	1080p	@30 / 25 / 24Hz, 4:2:2
		1080i	@60 / 50Hz, 4:2:2
		720p	@60 / 50Hz, 4:2:2
SD-SDI	480i	@60Hz, 4:2:2	
ITU-R BT.656	576i	@50Hz, 4:2:2	

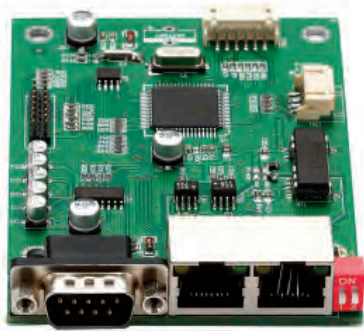
Compatible Audio Format	3G-SDI	48kHz, 16 / 20 / 24 bit, 2 CH, Synchronized Video
	HD-SDI	48kHz, 16 / 20 / 24 bit, 2 CH, Synchronized Video
	SD-SDI	48kHz, 16 / 20 / 24 bit, 2 CH, Synchronized / Asynchronous Video

Max. Transmission Distance 75 ohm coaxial cable	3G-SDI	150m at 2.97Gb/s
	HD-SDI	250m at 1.485Gb/s
	SD-SDI	480m at 270Mb/s

< 5.3 > Options : MC

13" FHD Display

MC (Multi-display Control)

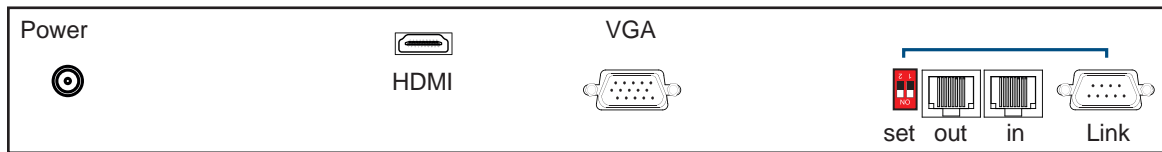


More control is always good. Especially when it is necessary and easy. Synergy Global Technology provides MC solution to control the OSD of various Industrial LCD displays up to 64 units.

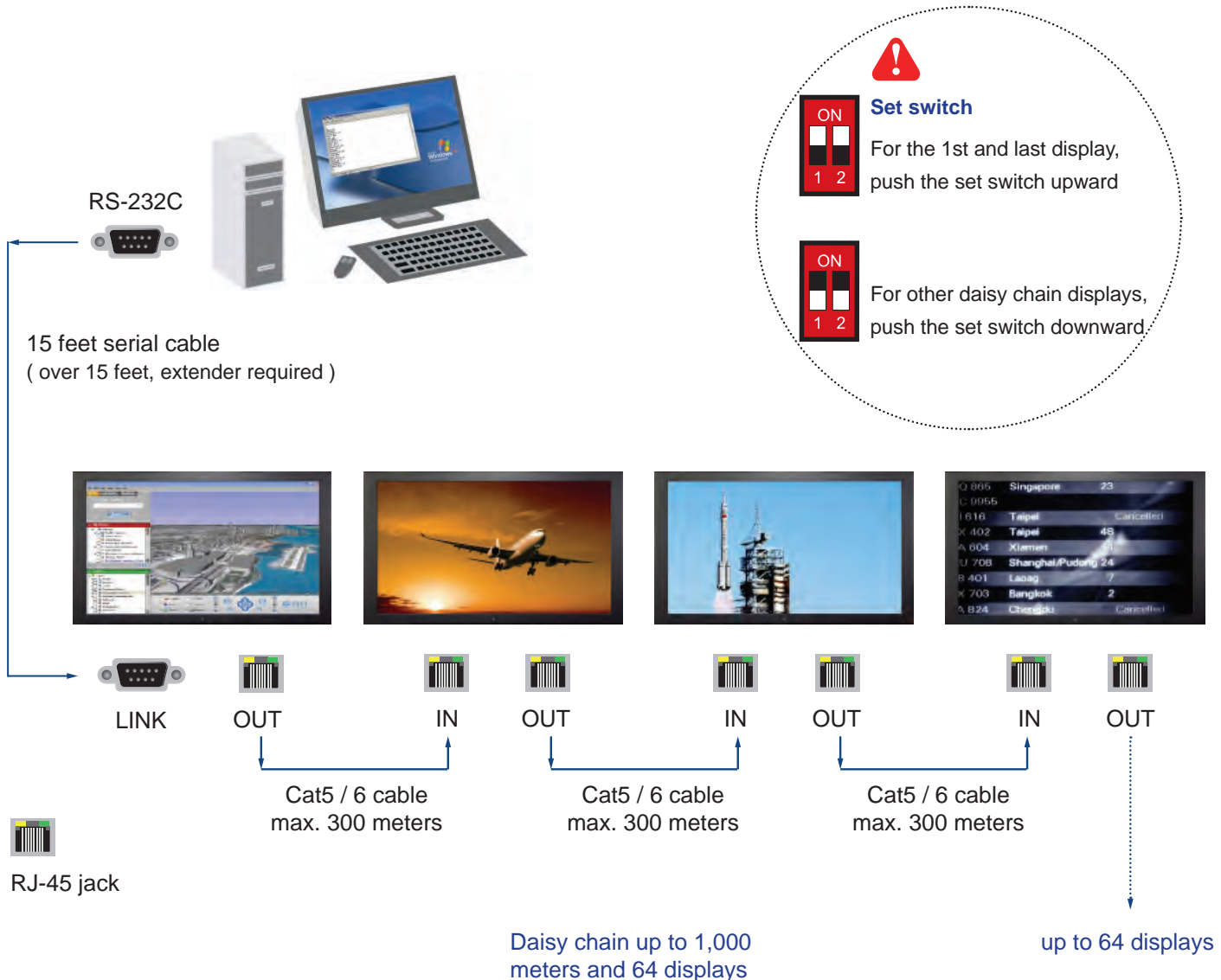
The RS-232C is used for the communication between the PC and the first display via a 15 feet serial cable while the CAN bus is used for the various LCD displays cascade together via CAT 5/6 cable, and daisy chain up to 1,000 meters.

Designed for use with our Industrial LCD displays, we provide a MC input module without using additional space or power.

MC

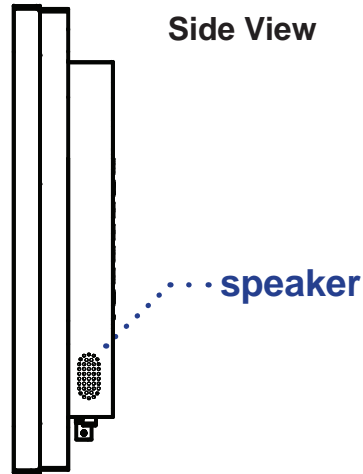


*** Please download the protocol of MC control at :
<https://www.rackmountmart.com/downloads.html>



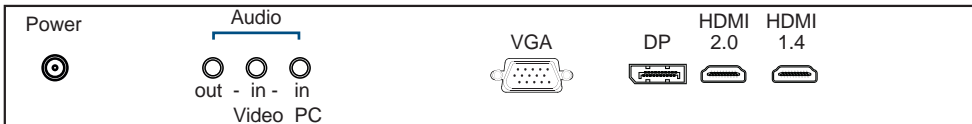
< 5.4 > Options :

Speaker Option



DP Option

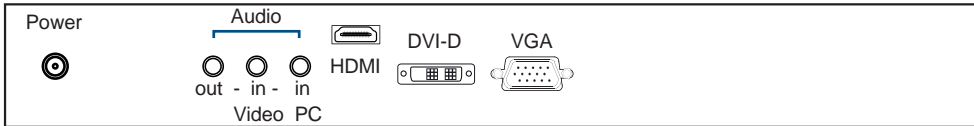
- Display Port (DP 1.0, HDCP 1.3)
- HDMI 2.0 (HDMI 2.0, HDCP 2.2)
- HDMI 1.4 (HDMI 1.4, HDCP 1.4)
- Audio (Audio input & output)
- Speaker



- (1) In some circumstances, if the user connects the LCD to PC via HDMI port for video and audio signals, the LCD may display incorrectly on a full screen. If so, please adjust the display card setting on display size to fix the issue.
- (2) DP options come with remote controller x 1 (please refer to P.22 Remote Controller)

DVI-D Option

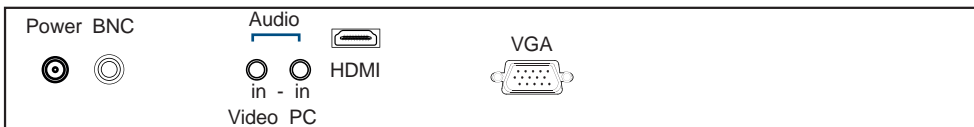
- **DVI-D** (DVI-D, TMDS single link)
- **Audio** (Audio input & output)
- **Speaker**



DVI-D option come with remote controller x 1
(please refer to P.22 Remote Controller)

BNC Option

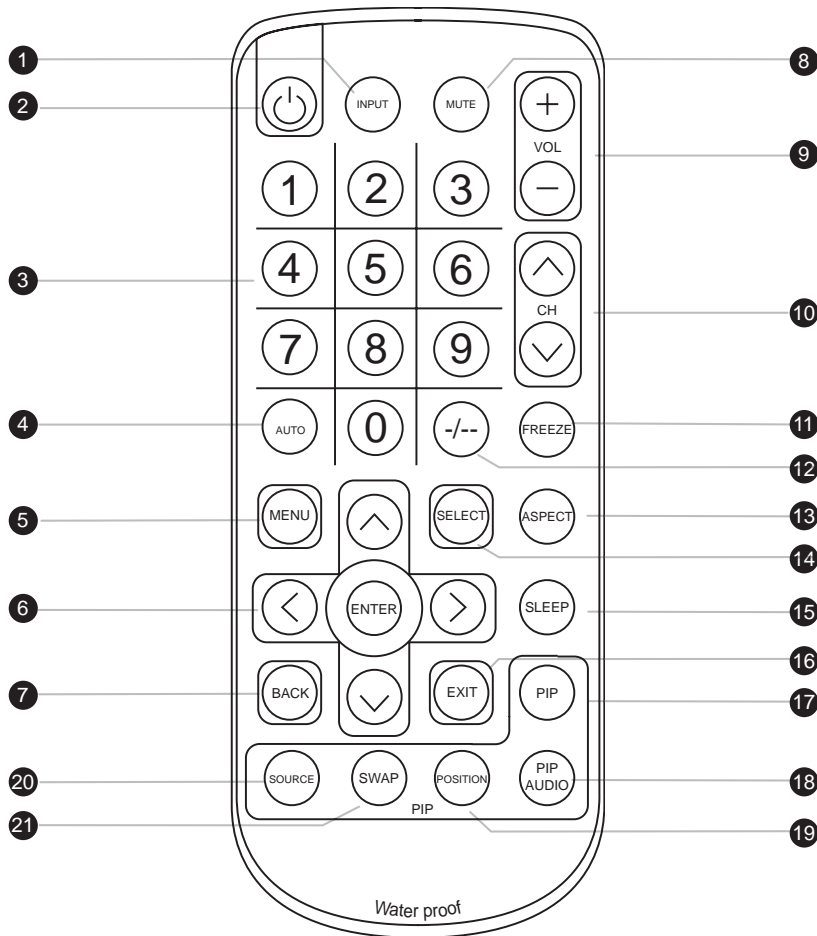
- **BNC** (Composite, BNC)
- **Audio IN**
- **Speaker**



(1) In some circumstances, if the user connects the LCD to PC via HDMI port for video and audio signals, the LCD may display incorrectly on a full screen. If so, please adjust the display card setting on display size to fix the issue.

(2) DP, DVI-D & BNC options come with remote controller x 1
(please refer to P.22 Remote Controller)

< 5.5 > How to Use Remote Controller



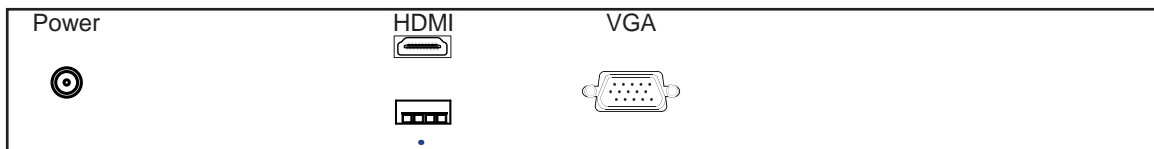
①	INPUT	Select the source
②		Switches on or off the TV
③	0 - 9	Only use in TV mode. Select channels. For channel numbers 10 and above, enter the second digit within two seconds.
④	AUTO	Auto adjust
⑤	MENU	Display the menu on the screen or go to the previous menu
⑥	/ / / / ENTER	Go to the upper menu or select the previous value / Go to the next menu or select the next value / Decrease the setting value / Increase the setting value or enter to the select item setting Enter to the select item settings or excude the setting
⑦	BACK	Back to previous value
⑧	MUTE	Turn on or off the speaker
⑨	Vol + / -	Increase or decrease the speaker volume
⑩	CH + / -	For TV model only, increase or decrease the channel number
⑪	FREEZE	Reserve for OEM model
⑫	- / -	For setting input single or double digits
⑬	ASPECT	Adjust the screen size
⑭	SELECT	To select the existing item
⑮	SLEEP	Select the sleeping time
⑯	EXIT	Exit the menu or cancel
PIP functions		
⑰	PIP	Picture in picture
⑱	PIP AUDIO	To set the audio of in PIP mode
⑲	POSITION	To set the screen position in PIP mode
⑳	SOURCE	PIP Source
㉑	SWAP	Swap screen in PIP mode



F13" USB Touchscreen Specification

Model	TPC Multi-touch	TRB Resistive
Technology	Projected Capacitive	4-Wire Resistive
Touch Point	10	Single
Input Type	Finger or Capacitive Stylus	Finger or Stylus
Resolution	4096 x 4096	2048 x 2048
Touch Point Accuracy	± 2 mm	-
Response Speed	< 5 ms	15 ms
Activation Force	< 5 g	60-150g
Surface Hardness	6H	3H
Light Transmission	> 85%	> 75% ± 3%
Haze	3% ↓	<12% ± 3%
Durability	50 million touches	10 million touches
Top Layer	1.1 mm Glass	ITO Film
Bottom Layer	0.7 mm Sensor Glass	ITO Glass
Thickness	2 mm	2.2 ± 0.2 mm
Connector	USB	USB Type A
Compatibility	Linux / Android / Windows / Mac	Windows 7 / XP / Vista, Linux

- Dimension will be changed if touchscreen required
- USB touchscreen package includes 1 x 6ft USB cable, quick reference guideline and CD disc
- For detailed information, please refer to the attached CD disc
- As the touchscreen unit is not made of toughened glass, please handle it carefully



USB Touchscreen

< 5.6 > Options : Touchscreen & driver

TPC Driver



Connect the USB cable from the USB port on the LCD to a computer. The touch screen supports easy Plug-and-Play operations. There is no need to install additional drivers on the computer.

TRB Driver

Please follow the below steps to setup the touch screen:-

Step 1. Run the bundled CD disc or download the driver from the link below :

<http://www.rackmountmart.com/downloads.html>

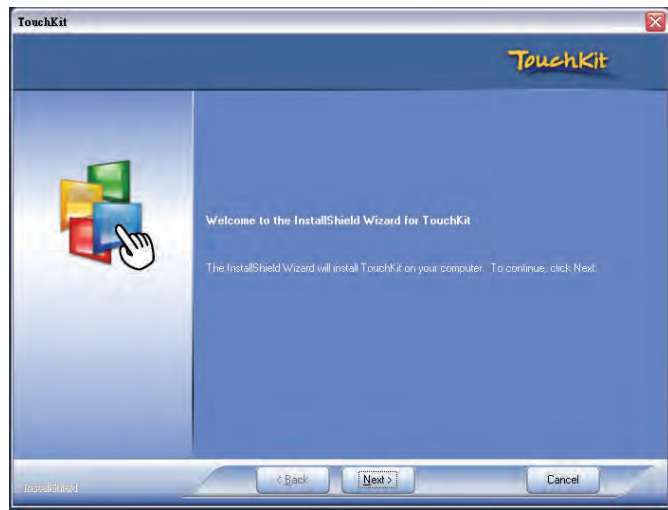
Step 2. Double click the Setup.exe

Step 3. Follow the installation instruction to finish the setup

Step 4. After installation, run the TouchKit program & the “4 point calibration”



Please do the initial calibration after the first setup



< 5.7 > Options : DC Power


Model	12V	24V	48V	125V
Input rating				
Input voltage:	12-Volt	24-Volt	48-Volt	110-Volt
Input range:	9 ~ 18V	18 ~ 36V	36 ~ 75V	66 ~ 160V
Input current				
- No load	50 mA	50 mA	50 mA	35 mA
- Full load	7183 mA	3551 mA	1755 mA	749 mA
Output rating				
Output voltage:	12-Volt	12-Volt	12-Volt	12-Volt
Output current:	6.25A	6.25A	6.25A	6.25A
Efficiency	87%	88%	89%	91%

*** For DC power option :

(1) If the unit with LCD, **earthing** may be required 

	Input	Part no.	MIL Standard
MIL - type Connector	DC Power *** (Male)	MS3470W8-33P 	MIL - DTL - 26482
	VGA *** (Male)	MS3470W14-15P 	MIL - DTL - 26482

*** There are several additional MIL DC and VGA connector types with varying design characteristics to meet cost considerations and to provide users with the most design flexibility possible. For more information, please contact us.

	Input	Part no.	Standard
Lockable Connector	DC Power (Male)	YM-Ext-461CP001 	D-type 3W3
	USB	LUSB - A111 - 00 	-

*** MIL - type or Lockable connectors above can be integrated with our LCD displays. Sale service just for connectors not provided.

The company reserves the right to modify product specifications without prior notice and assumes no responsibility for any error which may appear in this publication.

All brand names, logo and registered trademarks are properties of their respective owners.